

Metric Sprockets ISO STANDARDS

Types A - B & C Stock Sprockets



**TYPE A
SIMPLEX**



**TYPE B
SIMPLEX**



**TYPE C
TRIPLEX**



**TYPE B
DUPLEX**



**TAPER BUSHED
SIMPLEX**



**TAPER BUSHED
DUPLEX**



**INSTANT
SPLIT® SPROCKET**

Made-to-Order



**TAPER BUSHED
DOUBLE-SIMPLEX
HARDENED TEETH
Double Simplex**



**QD
SIMPLEX
QD Sprockets**



**IDLER
BALL BEARING
Idler Sprockets**



**TYPE B
SIMPLEX
STAINLESS
Stainless Steel**

ISO 06B-1

METRIC 35

Metric Sprockets

0.375 INCH (9.525 mm) PITCH SIMPLEX

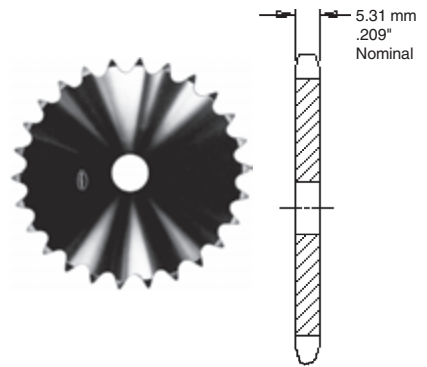
CHAIN DATA:

BS 228/3
 ISO 06B-1
 PITCH: 9.53 mm (0.375")
 ROLLER DIAMETER: 6.35 mm (0.250")
 ROLLER WIDTH: 5.72 mm (0.225")
 TENSILE: 910 kilos (2000 lbs.)

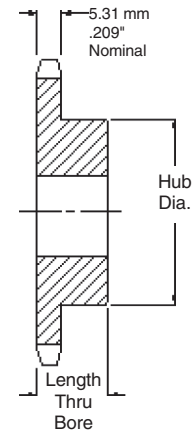
Simplex - Type B — Steel

| No. Teeth | Pitch Diameter MM | Catalog Number | Bore | | Hub | | Weight Approx. (kg) | Catalog Number | Bore Stock MM | Weight Approx. (kg) |
|-----------|-------------------|----------------|----------|---------|---------|---------|---------------------|----------------|---------------|---------------------|
| | | | Stock MM | Max. MM | Dia. MM | Thru MM | | | | |
| 8 | 24.89 | 06B8 | 8 | 9 | 13 | 22 | 0.03 | — | — | — |
| 9 | 27.85 | 06B9 | 8 | 11 | 16 | 22 | 0.04 | — | — | — |
| 10 | 30.82 | 06B10 | 8 | 12 | 20 | 22 | 0.06 | — | — | — |
| 11 | 33.81 | 06B11 | 8 | 14 | 23 | 25 | 0.09 | — | — | — |
| 12 | 36.80 | 06B12 | 8 | 16 | 26 | 25 | 0.10 | — | — | — |
| 13 | 39.80 | 06B13 | 10 | 18 | 29 | 25 | 0.11 | — | — | — |
| 14 | 42.80 | 06B14 | 10 | 19 | 31 | 25 | 0.12 | — | — | — |
| 15 | 45.81 | 06B15 | 10 | 20 | 34 | 25 | 0.14 | 06A15 | 8 | 0.07 |
| 16 | 48.82 | 06B16 | 10 | 22 | 37 | 25 | 0.18 | 06A16 | 10 | 0.08 |
| 17 | 51.84 | 06B17 | 10 | 25 | 40 | 28 | 0.20 | 06A17 | 10 | 0.18 |
| 18 | 54.85 | 06B18 | 10 | 25 | 43 | 28 | 0.23 | 06A18 | 10 | 0.11 |
| 19 | 57.87 | 06B19 | 10 | 28 | 46 | 28 | 0.25 | 06A19 | 10 | 0.12 |
| 20 | 60.89 | 06B20 | 10 | 30 | 49 | 28 | 0.31 | 06A20 | 10 | 0.13 |
| 21 | 63.91 | 06B21 | 12 | 30 | 50 | 28 | 0.36 | 06A21 | 10 | 0.14 |
| 22 | 66.93 | 06B22 | 12 | 32 | 51 | 28 | 0.37 | 06A22 | 10 | 0.15 |
| 23 | 69.95 | 06B23 | 12 | 32 | 52 | 28 | 0.39 | 06A23 | 10 | 0.17 |
| 24 | 72.97 | 06B24 | 12 | 32 | 54 | 28 | 0.40 | 06A24 | 10 | 0.19 |
| 25 | 76.00 | 06B25 | 12 | 35 | 57 | 28 | 0.41 | 06A25 | 10 | 0.20 |
| 26 | 79.02 | 06B26 | 12 | 38 | 60 | 28 | 0.42 | 06A26 | 10 | 0.21 |
| 27 | 82.05 | 06B27 | 12 | 38 | 60 | 28 | 0.44 | 06A27 | 10 | 0.22 |
| 28 | 85.07 | 06B28 | 12 | 38 | 60 | 28 | 0.45 | 06A28 | 10 | 0.23 |
| 29 | 88.10 | 06B29 | 12 | 38 | 60 | 28 | 0.47 | 06A29 | 10 | 0.25 |
| 30 | 91.12 | 06B30 | 12 | 38 | 60 | 30 | 0.48 | 06A30 | 10 | 0.27 |
| 32 | 97.18 | 06B32 | 14 | 40 | 65 | 30 | 0.56 | 06A32 | 12 | 0.20 |
| 35 | 106.26 | 06B35 | 14 | 40 | 65 | 30 | 0.68 | 06A35 | 12 | 0.27 |
| 36 | 109.29 | 06B36 | 16 | 45 | 70 | 30 | 0.71 | 06A36 | 12 | 0.28 |
| 38 | 115.35 | 06B38 | 16 | 45 | 70 | 30 | 0.77 | 06A38 | 14 | 0.43 |
| 40 | 121.40 | 06B40 | 16 | 45 | 70 | 30 | 0.81 | 06A40 | 14 | 0.45 |
| 42 | 127.46 | 06B42 | 16 | 45 | 70 | 30 | 0.85 | 06A42 | 14 | 0.48 |
| 45 | 136.55 | 06B45 | 16 | 45 | 75 | 30 | 0.91 | 06A45 | 14 | 0.51 |
| 48 | 145.64 | 06B48 | 16 | 45 | 75 | 30 | 0.97 | 06A48 | 14 | 0.54 |
| 54 | 163.82 | 06B54 | 16 | 45 | 75 | 30 | 1.09 | 06A54 | 14 | 0.61 |
| 57 | 172.91 | 06B57 | 19 | 45 | 75 | 30 | 1.27 | 06A57 | 18 | 0.86 |
| 60 | 182.00 | 06B60 | 19 | 45 | 75 | 30 | 1.34 | 06A60 | 18 | 0.91 |
| 64 | 194.12 | 06B64 | 19 | 45 | 75 | 30 | 1.43 | 06A64 | 18 | 0.97 |
| 70 | 212.30 | 06B70 | 19 | 45 | 75 | 30 | 1.56 | 06A70 | 18 | 1.06 |
| 72 | 218.37 | 06B72 | 19 | 45 | 75 | 30 | 1.60 | 06A72 | 18 | 1.09 |
| 76 | 230.49 | 06B76 | 19 | 45 | 75 | 30 | 1.91 | 06A76 | 18 | 1.45 |
| 80 | 242.61 | 06B80 | 19 | 45 | 75 | 30 | 2.01 | 06A80 | 18 | 1.53 |
| 84 | 254.74 | 06B84 | 19 | 45 | 75 | 30 | 2.11 | 06A84 | 18 | 1.60 |
| 90 | 272.93 | 06B90 | 19 | 52 | 75 | 30 | 2.26 | 06A90 | 18 | 1.72 |
| 95 | 288.08 | 06B95 | 19 | 52 | 75 | 30 | 2.61 | 06A95 | 18 | 2.18 |
| 96 | 291.11 | 06B96 | 19 | 52 | 75 | 30 | 2.64 | 06A96 | 18 | 2.20 |
| 114 | 345.68 | 06B114 | 19 | 52 | 75 | 30 | 3.63 | 06A114 | 18 | 3.13 |

Simplex - Type A — Steel



TYPE A



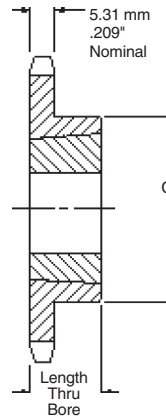
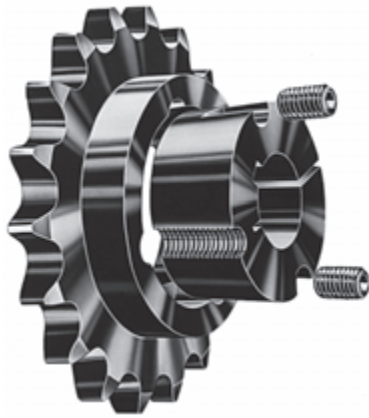
TYPE B

Maximum bores shown will accommodate standard keyseat and setscrew over keyseat. Slightly larger bores are possible with no keyseat, shallow keyseat, or setscrew at angle to keyseat.

0.375 INCH (9.525 mm) PITCH SIMPLEX

CHAIN DATA:

BS 228/3
 ISO 06B-1
 PITCH: 9.53 mm (0.375")
 ROLLER DIAMETER: 6.35 mm (0.250")
 ROLLER WIDTH: 5.72 mm (0.225")
 TENSILE: 910 kilos (2000 lbs.)



TYPE B

Simplex-Taper Bushed — Steel

| No. Teeth | Pitch Diameter MM | Catalog Number | Bushing Number | Bore Max. MM | Dimension | | Weight Approx. | |
|-----------|----------------------|----------------|----------------|-----------------|-----------|---------|----------------|-----------------|
| | | | | | L MM | C MM | Rim (kg) | Bushing (kg) |
| 18 | 54.85 | 06BTB18H | 1008 | 25.40 | 22.23 | 47.63★ | 0.18 | 0.14 |
| 19 | 57.87 | 06BTB19H | 1008 | 25.40 | 22.23 | 46.04 | 0.23 | 0.14 |
| 20 | 60.89 | 06BTB20H | 1008 | 25.40 | 22.23 | 49.20 | 0.27 | 0.14 |
| 21 | 63.91 | 06BTB21H | 1008 | 25.40 | 22.23 | 52.39 | 0.32 | 0.14 |
| 22 | 66.93 | 06BTB22H | 1210 | 31.75 | 25.40 | 60.33 | 0.36 | 0.27 |
| 23 | 69.95 | 06BTB23H | 1210 | 31.75 | 25.40 | 61.91 | 0.41 | 0.27 |
| 24 | 72.97 | 06BTB24H | 1210 | 31.75 | 25.40 | 61.91 | 0.41 | 0.27 |
| 25 | 76.00 | 06BTB25H | 1210 | 31.75 | 25.40 | 61.91 | 0.54 | 0.27 |
| 26 | 79.02 | 06BTB26H | 1610 | 41.28 | 25.40 | 73.03* | 0.50 | 0.41 |
| 28 | 85.07 | 06BTB28H | 1610 | 41.28 | 25.40 | 73.03 | 0.54 | 0.41 |
| 30 | 91.12 | 06BTB30H | 1610 | 41.28 | 25.40 | 79.38 | 0.54 | 0.41 |
| 32 | 97.18 | 06BTB32 | 1610 | 41.28 | 25.40 | 82.55 | 0.59 | 0.41 |
| 35 | 106.26 | 06BTB35 | 1610 | 41.28 | 25.40 | 82.55 | 0.64 | 0.41 |
| 36 | 109.29 | 06BTB36 | 1610 | 41.28 | 25.40 | 82.55 | 0.64 | 0.41 |
| 38 | 115.35 | 06BTB38 | 1610 | 41.28 | 25.40 | 82.55 | 0.68 | 0.41 |
| 40 | 121.40 | 06BTB40 | 1610 | 41.28 | 25.40 | 82.55 | 0.86 | 0.41 |
| 45 | 136.55 | 06BTB45 | 1610 | 41.28 | 25.40 | 82.55 | 0.95 | 0.41 |
| 48 | 145.65 | 06BTB48 | 1610 | 41.28 | 25.40 | 82.55 | 1.04 | 0.41 |
| 54 | 163.82 | 06BTB54 | 1610 | 41.28 | 25.40 | 82.55 | 1.18 | 0.41 |
| 57 | 172.91 | 06BTB57 | 1610 | 41.28 | 25.40 | 82.55 | 1.25 | 0.41 |
| 60 | 182.00 | 06BTB60 | 1610 | 41.28 | 25.40 | 82.55 | 1.36 | 0.41 |
| 70 | 212.30 | 06BTB70 | 1610 | 41.28 | 25.40 | 82.55 | 1.68 | 0.41 |
| 76 | 230.49 | 06BTB76 | 1610 | 41.28 | 25.40 | 82.55 | 1.82 | 0.41 |
| 95 | 288.08 | 06BTB95 | 1610 | 41.28 | 25.40 | 82.55 | 2.28 | 0.41 |

★ Has recessed groove in hub for chain clearance.
 Sprockets with "H" suffix have hardened teeth.

ISO 06B-2

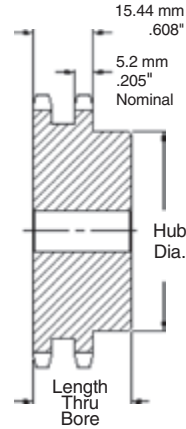
METRIC 35-2

Metric Sprockets

CHAIN DATA:

BS 228/3
 ISO 06B-2
 PITCH: 9.53 mm (0.375")
 ROLLER DIAMETER: 6.35 mm (0.250")
 ROLLER WIDTH: 5.72 mm (0.225")
 TENSILE: 1730 kilos (3800 lbs.)

0.375 INCH (9.525 mm) PITCH DUPLEX WIDTH CHAIN



TYPE B

Duplex - Type B — Steel

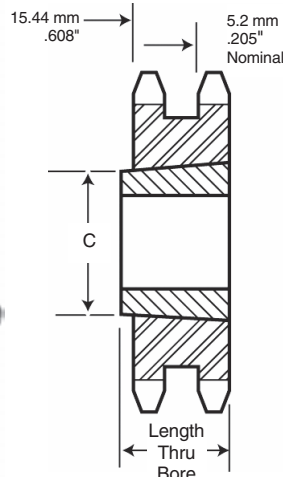
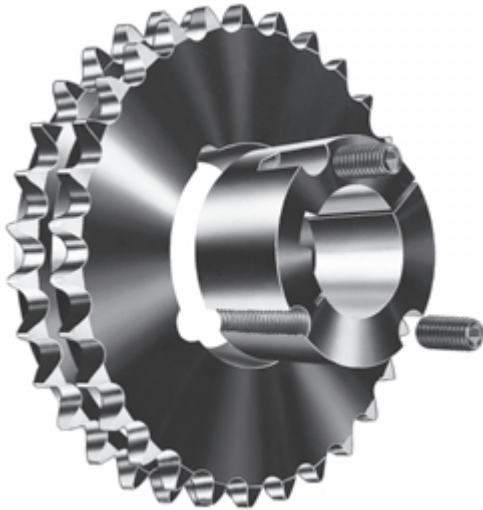
| No. Teeth | Pitch Diameter MM | Catalog Number | Bore | | Hub | | Weight Approx. (kg) |
|-----------|-------------------|----------------|----------|---------|---------|---------|---------------------|
| | | | Stock MM | Max. MM | Dia. MM | Thru MM | |
| 12 | 36.80 | D06B12 | 10 | 16 | 25 | 25 | 0.16 |
| 13 | 39.79 | D06B13 | 10 | 18 | 28 | 25 | 0.20 |
| 14 | 42.80 | D06B14 | 10 | 18 | 31 | 25 | 0.25 |
| 15 | 45.81 | D06B15 | 10 | 20 | 34 | 25 | 0.29 |
| 16 | 48.82 | D06B16 | 12 | 20 | 37 | 30 | 0.34 |
| 17 | 51.83 | D06B17 | 12 | 24 | 40 | 30 | 0.39 |
| 18 | 54.85 | D06B18 | 12 | 25 | 43 | 30 | 0.45 |
| 19 | 57.87 | D06B19 | 12 | 28 | 46 | 30 | 0.52 |
| 20 | 60.89 | D06B20 | 12 | 30 | 49 | 30 | 0.59 |
| 21 | 63.91 | D06B21 | 12 | 30 | 52 | 30 | 0.68 |
| 22 | 66.93 | D06B22 | 12 | 35 | 55 | 30 | 0.75 |
| 23 | 69.95 | D06B23 | 12 | 38 | 58 | 30 | 0.80 |
| 24 | 72.97 | D06B24 | 12 | 39 | 61 | 30 | 0.84 |
| 25 | 76.00 | D06B25 | 12 | 40 | 64 | 30 | 0.89 |
| 26 | 79.02 | D06B26 | 12 | 42 | 67 | 30 | 0.91 |
| 27 | 82.05 | D06B27 | 12 | 45 | 70 | 30 | 1.00 |
| 28 | 85.07 | D06B28 | 12 | 48 | 73 | 30 | 1.07 |
| 29 | 88.10 | D06B29 | 12 | 50 | 76 | 30 | 1.14 |
| 30 | 91.12 | D06B30 | 12 | 52 | 80 | 30 | 1.22 |
| 32 | 98.18 | D06B32 | 16 | 52 | 80 | 30 | 1.30 |
| 35 | 106.26 | D06B35 | 16 | 52 | 80 | 30 | 1.42 |
| 36 | 109.29 | D06B36 | 16 | 60 | 90 | 30 | 1.58 |
| 38 | 115.35 | D06B38 | 16 | 60 | 90 | 30 | 1.72 |
| 40 | 121.40 | D06B40 | 16 | 52 | 80 | 35 | 1.81 |
| 42 | 127.46 | D06B42 | 19 | 60 | 90 | 35 | 2.05 |
| 45 | 136.55 | D06B45 | 19 | 60 | 90 | 35 | 2.35 |
| 48 | 145.64 | D06B48 | 19 | 60 | 90 | 35 | 2.75 |
| 52 | 157.75 | D06B52 | 19 | 60 | 90 | 35 | 3.13 |
| 57 | 172.91 | D06B57 | 19 | 60 | 90 | 35 | 3.47 |
| 60 | 182.00 | D06B60 | 19 | 60 | 90 | 35 | 3.78 |
| 68 | 206.24 | D06B68 | 19 | 60 | 90 | 35 | 4.43 |
| 70 | 212.30 | D06B70 | 19 | 60 | 90 | 35 | 4.56 |
| 72 | 218.37 | D06B72 | 19 | 60 | 90 | 35 | 4.89 |
| 76 | 230.49 | D06B76 | 19 | 60 | 90 | 38 | 5.67 |
| 84 | 254.74 | D06B84 | 19 | 60 | 90 | 38 | 7.10 |
| 95 | 288.08 | D06B95 | 25 | 62 | 95 | 38 | 8.64 |
| 96 | 291.11 | D06B96 | 25 | 62 | 95 | 38 | 8.75 |
| 114 | 345.68 | D06B114 | 25 | 62 | 95 | 38 | 11.12 |

Maximum bores shown will accommodate standard keyseat and setscrew over keyseat. Slightly larger bores are possible with no keyseat, shallow keyseat, or setscrew at angle to keyseat.

0.375 INCH (9.525 mm) PITCH DUPLEX WIDTH CHAINS

CHAIN DATA:

BS 228/3
 ISO 06B-2
 PITCH: 9.53 mm (0.375")
 ROLLER DIAMETER: 6.35 mm (0.250")
 ROLLER WIDTH: 5.72 mm (0.225")
 TENSILE: 1730 kilos (3800 lbs.)



TYPE B

Duplex - Taper Bushed — Steel

| No. Teeth | Pitch Diameter MM | Catalog Number | Bushing Number | Bore Max. MM | Dimension | | Weight Approx. | |
|-----------|-------------------|----------------|----------------|--------------|-----------|-------|----------------|--------------|
| | | | | | L MM | C MM | Rim (kg) | Bushing (kg) |
| 19 | 57.87 | D06BTB19 | 1008 | 25.40 | 22.23 | 46.43 | 0.6 | 0.14 |
| 20 | 60.89 | D06BTB20 | 1008 | 25.40 | 22.23 | 49.20 | 0.8 | 0.14 |
| 21 | 63.91 | D06BTB21 | 1008 | 25.40 | 22.23 | 52.39 | 1.4 | 0.14 |
| 22 | 66.93 | D06BTB22 | 1008 | 25.40 | 22.23 | 55.56 | 1.7 | 0.14 |
| 24 | 72.97 | D06BTB24 | 1210 | 31.75 | 25.40 | 61.91 | 1.8 | 0.27 |
| 25 | 76.00 | D06BTB25 | 1210 | 31.75 | 25.40 | 61.91 | 1.9 | 0.27 |
| 26 | 79.02 | D06BTB26 | 1210 | 31.75 | 25.40 | 66.68 | 2.0 | 0.27 |
| 30 | 91.12 | D06BTB30 | 1610 | 41.28 | 25.40 | 79.38 | 1.8 | 0.41 |
| 32 | 97.18 | D06BTB32 | 1610 | 41.28 | 25.40 | 82.55 | 2.0 | 0.41 |
| 35 | 106.26 | D06BTB35 | 1610 | 41.28 | 25.40 | 82.55 | 2.3 | 0.41 |
| 38 | 115.34 | D06BTB38 | 1610 | 41.28 | 25.40 | 82.55 | 2.5 | 0.41 |
| 40 | 121.40 | D06BTB40 | 1610 | 41.28 | 25.40 | 82.55 | 2.9 | 0.41 |
| 45 | 136.55 | D06BTB45 | 1610 | 41.28 | 25.40 | 82.55 | 3.2 | 0.41 |
| 48 | 145.65 | D06BTB48 | 1610 | 41.28 | 25.40 | 92.08 | 3.5 | 0.41 |
| 54 | 163.82 | D06BTB54 | 1610 | 41.28 | 25.40 | 92.08 | 3.9 | 0.41 |
| 57 | 172.91 | D06BTB57 | 1610 | 41.28 | 25.40 | 92.08 | 4.1 | 0.41 |
| 60 | 182.00 | D06BTB60 | 1610 | 41.28 | 25.40 | 92.08 | 4.9 | 0.41 |
| 70 | 212.30 | D06BTB70 | 1610 | 41.28 | 25.40 | 92.08 | 6.3 | 0.41 |
| 76 | 230.49 | D06BTB76 | 1610 | 41.28 | 25.40 | 92.08 | 6.8 | 0.41 |
| 95 | 288.08 | D06BTB95 | 1610 | 41.28 | 25.40 | 92.08 | 6.9 | 0.41 |

ISO 06B-3

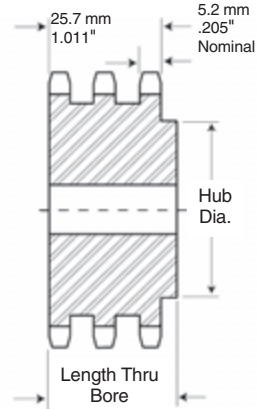
METRIC 35-3

Metric Sprockets

0.375 INCH (9.525 mm) PITCH TRIPLEX

CHAIN DATA:

BS 228/3
 ISO 06B-3
 PITCH: 9.53 mm (0.375")
 ROLLER DIAMETER: 6.35 mm (0.250")
 ROLLER WIDTH: 5.72 mm (0.225")
 TENSILE: 2540 kilos (5600 lbs.)



TYPE B

Triplex - Type B — Steel

| No. Teeth | Pitch Diameter MM | Catalog Number | Bore | | Hub | | Weight Approx. (kg) |
|-----------|-------------------|----------------|----------|---------|---------|---------|---------------------|
| | | | Stock MM | Max. MM | Dia. MM | Thru MM | |
| 12 | 36.80 | E06B12 | 12 | 16 | 25 | 35 | 0.23 |
| 13 | 39.80 | E06B13 | 12 | 18 | 28 | 35 | 0.27 |
| 14 | 42.80 | E06B14 | 12 | 18 | 31 | 35 | 0.32 |
| 15 | 45.81 | E06B15 | 12 | 20 | 34 | 35 | 0.36 |
| 16 | 48.82 | E06B16 | 12 | 20 | 37 | 35 | 0.45 |
| 17 | 51.84 | E06B17 | 12 | 24 | 40 | 35 | 0.54 |
| 18 | 54.85 | E06B18 | 12 | 25 | 43 | 35 | 0.64 |
| 19 | 57.87 | E06B19 | 12 | 28 | 46 | 35 | 0.72 |
| 20 | 60.89 | E06B20 | 12 | 30 | 49 | 35 | 0.77 |
| 21 | 63.91 | E06B21 | 14 | 30 | 52 | 40 | 0.86 |
| 22 | 66.93 | E06B22 | 14 | 35 | 54 | 40 | 0.95 |
| 23 | 69.95 | E06B23 | 14 | 38 | 58 | 40 | 1.04 |
| 24 | 72.97 | E06B24 | 14 | 39 | 61 | 40 | 1.18 |
| 25 | 76.00 | E06B25 | 14 | 40 | 64 | 40 | 1.27 |
| 26 | 79.02 | E06B26 | 14 | 42 | 67 | 40 | 1.31 |
| 27 | 82.05 | E06B27 | 14 | 45 | 70 | 40 | 1.36 |
| 28 | 85.07 | E06B28 | 14 | 48 | 73 | 40 | 1.50 |
| 29 | 88.10 | E06B29 | 14 | 50 | 76 | 40 | 1.68 |
| 30 | 91.12 | E06B30 | 14 | 52 | 80 | 40 | 1.72 |
| 32 | 97.18 | E06B32 | 16 | 52 | 80 | 48 | 2.00 |
| 35 | 106.26 | E06B35 | 16 | 52 | 80 | 48 | 2.25 |
| 36 | 109.29 | E06B36 | 16 | 60 | 90 | 40 | 2.33 |
| 38 | 115.34 | E06B38 | 16 | 60 | 90 | 40 | 2.49 |
| 40 | 121.40 | E06B40 | 16 | 52 | 80 | 48 | 2.65 |
| 42 | 127.46 | E06B42 | 19 | 60 | 90 | 48 | 2.81 |
| 45 | 136.55 | E06B45 | 19 | 60 | 90 | 48 | 3.00 |
| 48 | 145.64 | E06B48 | 19 | 60 | 90 | 48 | 3.20 |
| 52 | 157.75 | E06B52 | 19 | 60 | 90 | 48 | 3.46 |
| 57 | 172.91 | E06B57 | 19 | 60 | 90 | 48 | 4.77 |
| 60 | 182.00 | E06B60 | 19 | 60 | 80 | 48 | 5.02 |
| 68 | 206.24 | E06B68 | 19 | 60 | 90 | 48 | 5.69 |
| 72 | 218.37 | E06B72 | 19 | 60 | 90 | 48 | 6.02 |
| 76 | 230.49 | E06B76 | 19 | 64 | 100 | 48 | 8.48 |
| 84 | 254.74 | E06B84 | 19 | 64 | 100 | 48 | 9.37 |
| 95 | 288.08 | E06B95 | 25 | 64 | 100 | 54 | 13.61 |
| 96 | 291.11 | E06B96 | 25 | 64 | 100 | 54 | 13.75 |
| 114 | 345.68 | E06B114 | 25 | 64 | 100 | 54 | 17.48 |

0.500 INCH (12.70 mm) PITCH **SIMPLEX**

CHAIN DATA:

BS 228/7

ISO 08B-1

PITCH: 12.70 mm (0.500")

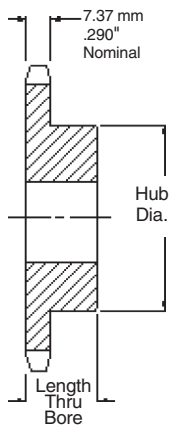
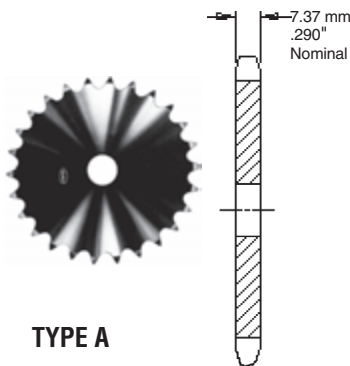
ROLLER DIAMETER: 8.51 mm (0.335")

ROLLER WIDTH: 7.75 mm (0.305")

TENSILE: 1820 kilos (4000 lbs.)

Simplex - Type A — Steel

Simplex - Type B — Steel



| No. Teeth | Pitch Diameter MM | Catalog Number | Bore | | Hub | | Weight Approx. (kg) | Catalog Number | Bore Stock MM | Weight Approx. (kg) |
|-----------|-------------------|----------------|----------|---------|---------|---------|---------------------|----------------|---------------|---------------------|
| | | | Stock MM | Max. MM | Dia. MM | Thru MM | | | | |
| 9 | 37.13 | 08B9 | 10 | 15 | 21 | 25 | 0.14 | — | — | — |
| 10 | 41.10 | 08B10 | 10 | 20 | 26 | 25 | 0.15 | — | — | — |
| 11 | 45.08 | 08B11 | 10 | 22 | 30 | 25 | 0.17 | — | — | — |
| 12 | 49.07 | 08B12 | 10 | 22 | 34 | 28 | 0.24 | 08A12 | 10 | 0.08 |
| 13 | 53.07 | 08B13 | 10 | 25 | 38 | 28 | 0.25 | 08A13 | 10 | 0.10 |
| 14 | 57.07 | 08B14 | 10 | 28 | 42 | 28 | 0.31 | 08A14 | 10 | 0.12 |
| 15 | 61.08 | 08B15 | 10 | 30 | 46 | 28 | 0.33 | 08A15 | 10 | 0.14 |
| 16 | 65.10 | 08B16 | 12 | 32 | 50 | 28 | 0.37 | 08A16 | 10 | 0.15 |
| 17 | 69.12 | 08B17 | 12 | 35 | 54 | 28 | 0.51 | 08A17 | 10 | 0.16 |
| 18 | 73.14 | 08B18 | 12 | 38 | 57 | 28 | 0.54 | 08A18 | 10 | 0.20 |
| 19 | 77.16 | 08B19 | 12 | 40 | 64 | 28 | 0.65 | 08A19 | 10 | 0.21 |
| 20 | 81.18 | 08B20 | 12 | 42 | 67 | 28 | 0.76 | 08A20 | 10 | 0.25 |
| 21 | 85.21 | 08B21 | 12 | 45 | 70 | 28 | 0.82 | 08A21 | 12 | 0.26 |
| 22 | 89.24 | 08B22 | 12 | 48 | 73 | 28 | 0.88 | 08A22 | 12 | 0.30 |
| 23 | 93.27 | 08B23 | 12 | 51 | 78 | 28 | 1.05 | 08A23 | 12 | 0.33 |
| 24 | 97.30 | 08B24 | 14 | 53 | 82 | 28 | 1.05 | 08A24 | 12 | 0.37 |
| 25 | 101.33 | 08B25 | 14 | 53 | 82 | 28 | 1.13 | 08A25 | 12 | 0.40 |
| 26 | 105.36 | 08B26 | 16 | 53 | 82 | 30 | 1.15 | 08A26 | 16 | 0.43 |
| 27 | 109.40 | 08B27 | 16 | 53 | 82 | 30 | 1.19 | 08A27 | 16 | 0.44 |
| 28 | 113.43 | 08B28 | 16 | 53 | 82 | 30 | 1.30 | 08A28 | 16 | 0.50 |
| 29 | 117.46 | 08B29 | 16 | 53 | 82 | 30 | 1.33 | 08A29 | 16 | 0.55 |
| 30 | 121.50 | 08B30 | 16 | 53 | 89 | 30 | 1.36 | 08A30 | 15 | 0.57 |
| 31 | 125.53 | 08B31 | 16 | 60 | 89 | 30 | 1.41 | 08A31 | 15 | 0.64 |
| 32 | 129.57 | 08B32 | 16 | 60 | 89 | 30 | 1.46 | 08A32 | 15 | 0.67 |
| 33 | 133.61 | 08B33 | 16 | 60 | 89 | 30 | 1.51 | 08A33 | 15 | 0.71 |
| 34 | 137.64 | 08B34 | 16 | 60 | 89 | 30 | 1.56 | 08A34 | 15 | 0.74 |
| 35 | 141.68 | 08B35 | 16 | 60 | 89 | 30 | 1.61 | 08A35 | 15 | 0.77 |
| 36 | 145.72 | 08B36 | 16 | 60 | 89 | 35 | 1.69 | 08A36 | 15 | 0.83 |
| 37 | 149.75 | 08B37 | 16 | 60 | 89 | 35 | 1.74 | 08A37 | 15 | 0.87 |
| 38 | 153.79 | 08B38 | 16 | 60 | 89 | 35 | 1.78 | 08A38 | 15 | 0.91 |
| 39 | 157.83 | 08B39 | 19 | 60 | 89 | 35 | 1.83 | 08A39 | 18 | 0.92 |
| 40 | 161.87 | 08B40 | 19 | 60 | 89 | 35 | 1.88 | 08A40 | 18 | 1.01 |
| 42 | 169.94 | 08B42 | 19 | 60 | 89 | 35 | 1.97 | 08A42 | 18 | 1.13 |
| 45 | 182.06 | 08B45 | 19 | 60 | 89 | 35 | 2.11 | 08A45 | 18 | 1.43 |
| 48 | 194.18 | 08B48 | 19 | 64 | 100 | 35 | 2.76 | 08A48 | 18 | 1.46 |
| 54 | 218.42 | 08B54 | 19 | 64 | 100 | 35 | 3.11 | 08A54 | 18 | 2.01 |
| 57 | 230.54 | 08B57 | 19 | 64 | 100 | 35 | 3.28 | 08A57 | 18 | 2.27 |
| 60 | 242.66 | 08B60 | 19 | 64 | 100 | 35 | 3.45 | 08A60 | 18 | 2.03 |
| 64 | 258.83 | 08B64 | 19 | 64 | 100 | 35 | 3.68 | 08A64 | 18 | 2.17 |
| 70 | 283.07 | 08B70 | 19 | 64 | 100 | 35 | 4.02 | 08A70 | 18 | 3.28 |
| 72 | 291.15 | 08B72 | 19 | 64 | 100 | 35 | 4.13 | 08A72 | 18 | 3.51 |
| 76 | 307.32 | 08B76 | 19 | 64 | 100 | 35 | 5.73 | 08A76 | 18 | 3.70 |
| 80 | 323.49 | 08B80 | 19 | 64 | 100 | 35 | 6.03 | 08A80 | 18 | 4.63 |
| 84 | 339.65 | 08B84 | 19 | 64 | 100 | 35 | 6.33 | 08A84 | 18 | 4.57 |
| 95 | 384.11 | 08B95 | 25 | 64 | 100 | 35 | 8.90 | 08A95 | 24 | 5.45 |
| 96 | 388.15 | 08B96 | 25 | 64 | 100 | 35 | 8.99 | 08A96 | 24 | 5.51 |
| 114 | 460.91 | 08B114 | 25 | 64 | 100 | 35 | 11.17 | 08A114 | 24 | 6.54 |

Maximum bores shown will accommodate standard keyseat and setscrew over keyseat. Slightly larger bores are possible with no keyseat, shallow keyseat, or setscrew at angle to keyseat.

ISO 08B-1

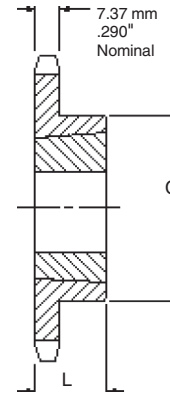
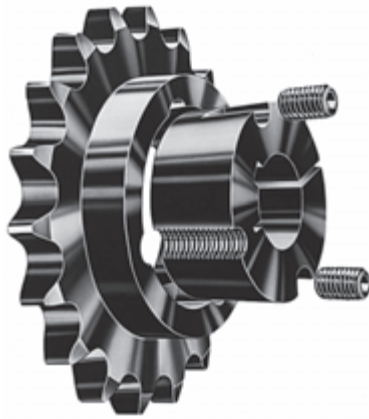
METRIC 40

Metric Sprockets

0.500 INCH (12.70 mm) PITCH SIMPLEX

CHAIN DATA:

BS 228/7
 ISO 08B-1
 PITCH: 12.70 mm (0.500")
 ROLLER DIAMETER: 8.51 mm (0.335")
 ROLLER WIDTH: 7.75 mm (0.305")
 TENSILE: 1820 kilos (4000 lbs.)



TYPE B

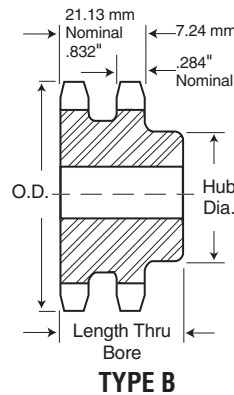
Simplex - Taper Bushed — Steel

| No. Teeth | Pitch Diameter | Catalog Number | Bushing Number | Bore Max. MM | Dimension | | Weight Approx. | |
|-----------|----------------|----------------|----------------|--------------|-----------|------|----------------|--------------|
| | MM | | | | L MM | C MM | Rim (kg) | Bushing (kg) |
| 14 | 57.07 | 08BTB14H | 1008 | 25.40 | 22.23 | 46★ | 0.18 | 0.14 |
| 15 | 61.08 | 08BTB15H | 1008 | 25.40 | 22.23 | 46 | 0.18 | 0.14 |
| 16 | 65.10 | 08BTB16H | 1008 | 25.40 | 22.23 | 46 | 0.23 | 0.14 |
| 17 | 69.12 | 08BTB17H | 1210 | 31.75 | 25.40 | 60★ | 0.23 | 0.14 |
| 18 | 73.14 | 08BTB18H | 1210 | 31.75 | 25.40 | 62★ | 0.27 | 0.27 |
| 19 | 77.16 | 08BTB19H | 1210 | 31.75 | 25.40 | 62 | 0.32 | 0.27 |
| 20 | 81.18 | 08BTB20H | 1610 | 41.28 | 25.40 | 70★ | 0.41 | 0.41 |
| 21 | 85.21 | 08BTB21H | 1610 | 41.28 | 25.40 | 70 | 0.45 | 0.41 |
| 22 | 89.24 | 08BTB22H | 1610 | 41.28 | 25.40 | 70 | 0.50 | 0.41 |
| 23 | 93.27 | 08BTB23H | 1610 | 41.28 | 25.40 | 76 | 0.59 | 0.41 |
| 24 | 97.30 | 08BTB24H | 1610 | 41.28 | 25.40 | 82 | 0.73 | 0.41 |
| 25 | 101.33 | 08BTB25H | 1610 | 41.28 | 25.40 | 82 | 0.73 | 0.41 |
| 26 | 105.36 | 08BTB26H | 1610 | 41.28 | 25.40 | 82 | 0.73 | 0.41 |
| 27 | 109.40 | 08BTB27H | 1610 | 41.28 | 25.40 | 76 | 0.70 | 0.41 |
| 28 | 113.43 | 08BTB28H | 1610 | 41.28 | 25.40 | 76 | 0.73 | 0.41 |
| 29 | 117.46 | 08BTB29H | 1610 | 41.28 | 25.40 | 76 | 0.76 | 0.41 |
| 30 | 121.50 | 08BTB30H | 1610 | 41.28 | 25.40 | 73 | 0.82 | 0.41 |
| 32 | 129.57 | 08BTB32 | 1610 | 41.28 | 25.40 | 76 | 0.87 | 0.41 |
| 35 | 141.68 | 08BTB35 | 1610 | 41.28 | 25.40 | 76 | 0.96 | 0.41 |
| 36 | 145.72 | 08BTB36 | 1610 | 41.28 | 25.40 | 76 | 0.98 | 0.41 |
| 38 | 153.79 | 08BTB38 | 1610 | 41.28 | 25.40 | 76 | 1.23 | 0.41 |
| 40 | 161.87 | 08BTB40 | 1610 | 41.28 | 25.40 | 76 | 1.29 | 0.41 |
| 42 | 169.94 | 08BTB42 | 1610 | 41.28 | 25.40 | 76 | 1.36 | 0.41 |
| 45 | 182.06 | 08BTB45 | 1610 | 41.28 | 25.40 | 76 | 1.46 | 0.41 |
| 48 | 194.18 | 08BTB48 | 1610 | 41.28 | 25.40 | 76 | 1.55 | 0.41 |
| 54 | 218.42 | 08BTB54 | 1610 | 41.28 | 25.40 | 76 | 1.75 | 0.41 |
| 57 | 230.54 | 08BTB57 | 1610 | 41.28 | 25.40 | 76 | 2.63 | 0.41 |
| 60 | 242.66 | 08BTB60 | 1610 | 41.28 | 25.40 | 76 | 2.77 | 0.41 |
| 70 | 283.07 | 08BTB70 | 2012 | 50.80 | 31.75 | 90 | 3.93 | 0.41 |
| 72 | 291.15 | 08BTB72 | 2012 | 50.80 | 31.75 | 90 | 4.05 | 0.41 |
| 76 | 307.32 | 08BTB76 | 2012 | 50.80 | 31.75 | 90 | 4.27 | 0.77 |
| 80 | 323.49 | 08BTB80 | 2012 | 50.80 | 31.75 | 90 | 4.49 | 0.77 |
| 84 | 339.65 | 08BTB84 | 2012 | 50.80 | 31.75 | 90 | 4.72 | 0.77 |
| 95 | 384.11 | 08BTB95 | 2012 | 50.80 | 31.75 | 90 | 6.81 | 0.77 |
| 96 | 388.15 | 08BTB96 | 2012 | 50.80 | 31.75 | 90 | 6.88 | 0.77 |
| 114 | 460.91 | 08BTB114 | 2517 | 63.50 | 44.45 | 108 | 10.44 | 0.77 |

★ Has recessed groove in hub for chain clearance.
 Sprockets with "H" suffix have hardened teeth.

0.500 INCH (12.70 mm) PITCH DUPLEX

CHAIN DATA:
 BS 228/7
 ISO 08B-2
 PITCH: 12.70 mm (0.500")
 ROLLER DIAMETER: 8.51 mm (0.335")
 ROLLER WIDTH: 7.75 mm (0.305")
 TENSILE: 3180 kilos (7000 lbs.)



Duplex - Type B — Steel

| No. Teeth | Pitch Diameter MM | Catalog Number | Bore | | Hub | | Weight Approx. (kg) |
|-----------|----------------------|----------------|----------|---------|---------|---------|---------------------|
| | | | Stock MM | Max. MM | Dia. MM | Thru MM | |
| 10 | 41.10 | D08B10 | 10 | 18 | 26 | 32 | 0.22 |
| 11 | 45.08 | D08B11 | 11 | 21 | 30 | 35 | 0.22 |
| 12 | 49.07 | D08B12 | 12 | 23 | 34 | 35 | 0.26 |
| 13 | 53.07 | D08B13 | 12 | 25 | 38 | 35 | 0.28 |
| 14 | 57.07 | D08B14 | 12 | 28 | 42 | 35 | 0.34 |
| 15 | 61.08 | D08B15 | 12 | 30 | 46 | 35 | 0.36 |
| 16 | 65.10 | D08B16 | 14 | 33 | 50 | 35 | 0.35 |
| 17 | 69.12 | D08B17 | 14 | 36 | 54 | 35 | 0.44 |
| 18 | 73.14 | D08B18 | 14 | 38 | 58 | 35 | 0.49 |
| 19 | 77.16 | D08B19 | 14 | 40 | 62 | 35 | 0.57 |
| 20 | 81.18 | D08B20 | 14 | 40 | 66 | 35 | 0.65 |
| 21 | 85.21 | D08B21 | 16 | 45 | 70 | 40 | 0.72 |
| 22 | 89.24 | D08B22 | 16 | 45 | 70 | 40 | 0.73 |
| 23 | 93.27 | D08B23 | 16 | 45 | 70 | 40 | 0.83 |
| 24 | 97.30 | D08B24 | 16 | 50 | 75 | 40 | 0.94 |
| 25 | 101.33 | D08B25 | 16 | 52 | 80 | 40 | 0.98 |
| 26 | 105.36 | D08B26 | 20 | 56 | 85 | 40 | 1.04 |
| 27 | 109.40 | D08B27 | 20 | 56 | 85 | 40 | 1.08 |
| 28 | 113.43 | D08B28 | 20 | 60 | 90 | 40 | 1.10 |
| 29 | 117.46 | D08B29 | 20 | 62 | 95 | 40 | 1.14 |
| 30 | 121.50 | D08B30 | 20 | 64 | 100 | 40 | 1.16 |
| 32 | 129.57 | D08B32 | 20 | 64 | 100 | 40 | 1.24 |
| 35 | 141.68 | D08B35 | 20 | 64 | 100 | 40 | 1.35 |
| 36 | 145.72 | D08B36 | 20 | 73 | 110 | 40 | 2.05 |
| 38 | 153.79 | D08B38 | 20 | 73 | 110 | 45 | 2.17 |
| 40 | 161.87 | D08B40 | 20 | 73 | 110 | 45 | 2.28 |
| 42 | 169.94 | D08B42 | 20 | 73 | 110 | 45 | 2.32 |
| 45 | 182.06 | D08B45 | 20 | 73 | 110 | 45 | 2.49 |
| 48 | 194.18 | D08B48 | 20 | 73 | 110 | 45 | 2.65 |
| 54 | 218.42 | D08B54 | 25 | 73 | 110 | 45 | 2.98 |
| 57 | 230.54 | D08B57 | 25 | 73 | 110 | 45 | 3.88 |
| 60 | 242.66 | D08B60 | 25 | 73 | 110 | 45 | 4.08 |
| 68 | 283.07 | D08B68 | 25 | 73 | 110 | 45 | 4.63 |
| 72 | 291.16 | D08B72 | 25 | 73 | 110 | 45 | 4.90 |
| 76 | 307.32 | D08B76 | 30 | 80 | 120 | 45 | 6.60 |
| 84 | 339.65 | D08B84 | 30 | 80 | 120 | 45 | 7.29 |
| 95 | 384.11 | D08B95 | 30 | 80 | 120 | 45 | 9.89 |
| 96 | 388.15 | D08B96 | 30 | 80 | 120 | 45 | 9.99 |
| 114 | 460.90 | D08B114 | 30 | 80 | 120 | 45 | 12.88 |

Maximum bores shown will accommodate standard keyseat and setscrew over keyseat. Slightly larger bores are possible with no keyseat, shallow keyseat, or setscrew at angle to keyseat.

ISO 08B-2

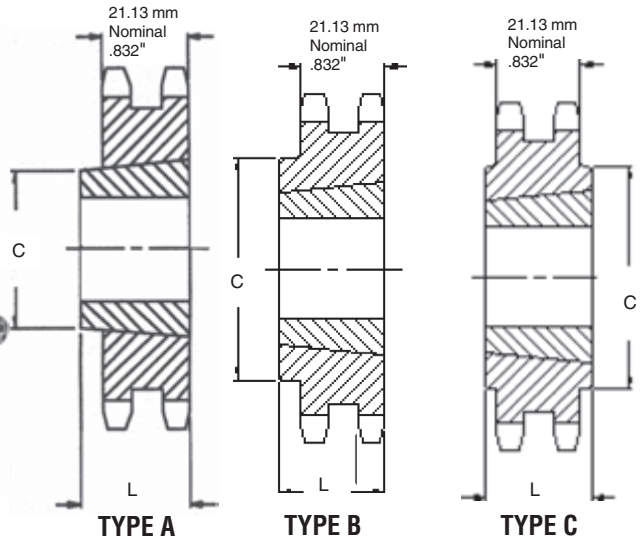
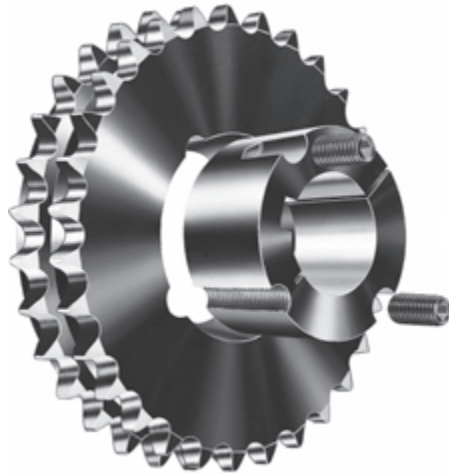
METRIC 40-2

Metric Sprockets

0.500 INCH (12.70 mm) PITCH DUPLEX

CHAIN DATA:

BS 228/7
 ISO 08B-2
 PITCH: 12.70 mm (0.500")
 ROLLER DIAMETER: 8.51 mm (0.335")
 ROLLER WIDTH: 7.75 mm (0.305")
 TENSILE: 3180 kilos (7000 lbs.)



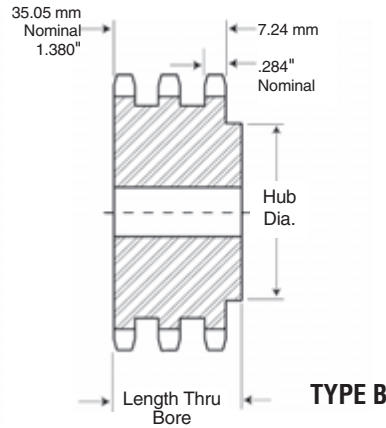
Duplex - Taper Bushed — Steel

| No. Teeth | Pitch Diameter MM | Catalog Number | Bushing Number | Bore Max. MM | Dimension | | Weight | |
|-----------|-------------------|----------------|----------------|--------------|-----------|------|----------|--------------|
| | | | | | L MM | C MM | Rim (kg) | Bushing (kg) |
| 15 | 61.08 | D08ATB15 | 1008 | 25.40 | 22.22 | — | 0.18 | 0.13 |
| 16 | 65.10 | D08ATB16 | 1008 | 25.40 | 22.22 | — | 0.22 | 0.13 |
| 17 | 69.12 | D08ATB17 | 1008 | 25.40 | 22.22 | — | 0.27 | 0.13 |
| 18 | 73.14 | D08BTB18 | 1210 | 31.75 | 25.40 | 58 | 0.27 | 0.27 |
| 19 | 77.16 | D08BTB19 | 1210 | 31.75 | 25.40 | 63 | 0.36 | 0.27 |
| 20 | 81.18 | D08BTB20 | 1610 | 41.27 | 25.40 | 70 | 0.37 | 0.41 |
| 21 | 85.21 | D08BTB21 | 1610 | 41.27 | 25.40 | 70 | 0.46 | 0.41 |
| 22 | 89.24 | D08BTB22 | 1610 | 41.27 | 25.40 | 74 | 0.55 | 0.41 |
| 23 | 93.27 | D08BTB23 | 1610 | 41.27 | 25.40 | 78 | 0.59 | 0.41 |
| 24 | 97.30 | D08BTB24 | 2012 | 41.27 | 25.40 | 83 | 0.70 | 0.41 |
| 25 | 101.33 | D08BTB25 | 2012 | 50.80 | 31.75 | 87 | 0.77 | 0.77 |
| 26 | 105.36 | D08BTB26 | 2012 | 50.80 | 31.75 | 87 | 0.80 | 0.77 |
| 28 | 113.43 | D08BTB28 | 2012 | 50.80 | 31.75 | 99 | 1.06 | 0.77 |
| 30 | 121.50 | D08BTB30 | 2012 | 50.80 | 31.75 | 108 | 1.59 | 0.77 |
| 35 | 141.68 | D08BTB35 | 2012 | 50.80 | 31.75 | 108 | 1.86 | 0.77 |
| 36 | 145.72 | D08BTB36 | 2012 | 50.80 | 31.75 | 108 | 1.91 | 0.77 |
| 38 | 153.79 | D08BTB38 | 2012 | 50.80 | 31.75 | 108 | 3.18 | 0.77 |
| 42 | 169.94 | D08CTB42 | 2517 | 50.80 | 44.45 | 108 | 5.57 | 1.59 |
| 45 | 182.06 | D08CTB45 | 2517 | 63.50 | 44.45 | 108 | 5.97 | 1.59 |
| 48 | 194.18 | D08CTB48 | 2517 | 63.50 | 44.45 | 108 | 6.37 | 1.59 |
| 54 | 218.42 | D08CTB54 | 2517 | 63.50 | 44.45 | 108 | 7.17 | 1.59 |
| 57 | 230.54 | D08CTB57 | 2517 | 63.50 | 44.45 | 108 | 7.56 | 1.59 |
| 60 | 242.66 | D08CTB60 | 2517 | 63.50 | 44.45 | 108 | 12.05 | 1.59 |
| 68 | 274.99 | D08CTB68 | 2517 | 63.50 | 44.45 | 108 | 13.66 | 1.59 |
| 70 | 283.07 | D08CTB70 | 2517 | 63.50 | 44.45 | 108 | 14.06 | 1.59 |
| 72 | 291.15 | D08CTB72 | 2517 | 63.50 | 44.45 | 108 | 14.46 | 1.59 |
| 76 | 307.32 | D08CTB76 | 2517 | 63.50 | 44.45 | 108 | 15.26 | 1.59 |
| 84 | 339.65 | D08CTB84 | 2517 | 63.50 | 44.45 | 108 | 16.87 | 1.59 |
| 95 | 384.11 | D08CTB95 | 2517 | 63.50 | 44.45 | 108 | 19.08 | 1.59 |
| 96 | 388.15 | D08CTB96 | 2517 | 63.50 | 44.45 | 108 | 19.28 | 1.59 |
| 114 | 460.91 | D08CTB114 | 2517 | 63.50 | 44.45 | 108 | 22.90 | 1.59 |

0.500 INCH (12.70 mm) PITCH TRIPLEX

CHAIN DATA:

BS 228/7
 ISO 08B-3
 PITCH: 12.70 mm (0.500")
 ROLLER DIAMETER: 8.51 mm (0.335")
 ROLLER WIDTH: 7.75 mm (0.305")
 TENSILE: 4540 kilos (10,000 lbs.)



Triplex - Type B — Steel

| No. Teeth | Pitch Diameter MM | Catalog Number | Bore | | Hub | | Weight Approx. (kg) |
|-----------|-------------------|----------------|----------|---------|---------|---------|---------------------|
| | | | Stock MM | Max. MM | Dia. MM | Thru MM | |
| 11 | 45.08 | E08B11 | 14 | 22 | 30 | 50 | 0.32 |
| 12 | 49.07 | E08B12 | 14 | 24 | 34 | 50 | 0.45 |
| 13 | 53.06 | E08B13 | 14 | 25 | 38 | 50 | 0.59 |
| 14 | 57.07 | E08B14 | 14 | 28 | 42 | 50 | 0.72 |
| 15 | 61.08 | E08B15 | 14 | 31 | 46 | 50 | 0.81 |
| 16 | 65.10 | E08B16 | 16 | 35 | 50 | 50 | 0.90 |
| 17 | 69.12 | E08B17 | 16 | 36 | 54 | 50 | 1.04 |
| 18 | 73.14 | E08B18 | 16 | 38 | 58 | 50 | 1.22 |
| 19 | 77.16 | E08B19 | 16 | 40 | 62 | 50 | 1.41 |
| 20 | 81.18 | E08B20 | 16 | 40 | 66 | 50 | 1.58 |
| 21 | 85.21 | E08B21 | 20 | 45 | 70 | 55 | 1.81 |
| 22 | 89.24 | E08B22 | 20 | 45 | 70 | 55 | 2.03 |
| 23 | 93.27 | E08B23 | 20 | 45 | 70 | 55 | 2.27 |
| 24 | 97.30 | E08B24 | 20 | 50 | 75 | 55 | 2.44 |
| 25 | 101.33 | E08B25 | 20 | 52 | 80 | 55 | 2.54 |
| 26 | 105.36 | E08B26 | 20 | 56 | 85 | 55 | 2.85 |
| 27 | 109.40 | E08B27 | 20 | 56 | 85 | 55 | 2.85 |
| 28 | 113.43 | E08B28 | 20 | 60 | 90 | 55 | 3.16 |
| 29 | 117.46 | E08B29 | 20 | 62 | 95 | 55 | 3.34 |
| 30 | 121.50 | E08B30 | 20 | 64 | 100 | 55 | 3.48 |
| 35 | 141.68 | E08B35 | 20 | 73 | 110 | 55 | 4.79 |
| 36 | 145.72 | E08B36 | 25 | 80 | 120 | 55 | 5.43 |
| 38 | 153.79 | E08B38 | 25 | 80 | 120 | 60 | 6.49 |
| 42 | 169.94 | E08B42 | 25 | 80 | 120 | 60 | 7.17 |
| 45 | 182.06 | E08B45 | 25 | 80 | 120 | 60 | 7.69 |
| 48 | 194.18 | E08B48 | 25 | 80 | 120 | 60 | 8.20 |
| 52 | 210.34 | E08B52 | 25 | 80 | 120 | 60 | 8.88 |
| 54 | 218.43 | E08B54 | 25 | 80 | 120 | 60 | 9.22 |
| 57 | 230.54 | E08B57 | 25 | 80 | 120 | 60 | 12.62 |
| 60 | 242.66 | E08B60 | 25 | 85 | 130 | 65 | 13.84 |
| 68 | 274.99 | E08B68 | 25 | 85 | 130 | 65 | 15.69 |
| 72 | 291.15 | E08B72 | 25 | 85 | 130 | 65 | 16.61 |
| 76 | 307.32 | E08B76 | 30 | 85 | 130 | 65 | 22.23 |
| 84 | 339.65 | E08B84 | 30 | 85 | 130 | 65 | 24.57 |
| 95 | 384.11 | E08B95 | 30 | 85 | 130 | 65 | 33.11 |
| 114 | 460.91 | E08B114 | 30 | 85 | 130 | 65 | 41.90 |

Maximum bores shown will accommodate standard keyseat and setscrew over keyseat. Slightly larger bores are possible with no keyseat, shallow keyseat, or setscrew at angle to keyseat.

ISO 10B-1

METRIC 50

Metric Sprockets

0.625 INCH (15.88 mm) PITCH **SIMPLEX**

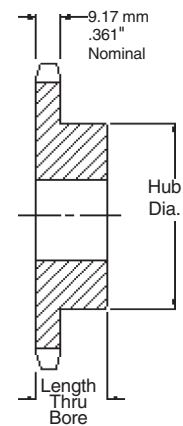
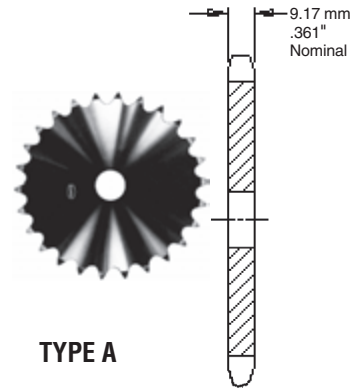
CHAIN DATA:

BS 228/11
 ISO 10B-1
 PITCH: 15.88mm (0.625")
 ROLLER DIAMETER: 10.16mm (0.400")
 ROLLER WIDTH: 9.65mm (0.380")
 TENSILE: 2270 kilos (4500 lbs.)

Simplex-Type B — Steel

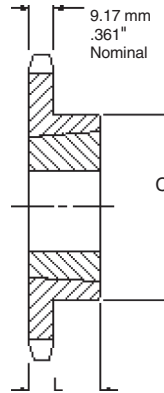
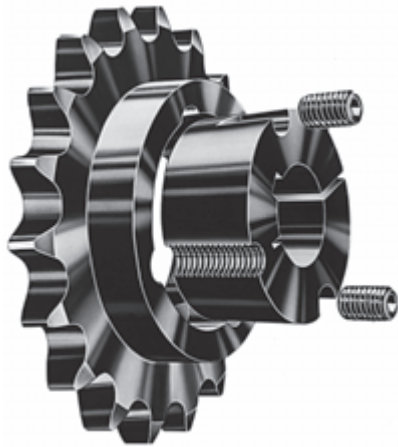
Simplex-Type A — Steel

| No. Teeth | Pitch Diameter MM | Catalog Number | Bore | | Hub | | Weight Approx. (kg) | Catalog Number | Bore Stock MM | Weight Approx. (kg) |
|-----------|-------------------|----------------|----------|---------|---------|---------|---------------------|----------------|---------------|---------------------|
| | | | Stock MM | Max. MM | Dia. MM | Thru MM | | | | |
| 8 | 41.48 | 10B8 | 12 | 16 | 22 | 25 | 0.09 | — | — | — |
| 9 | 46.42 | 10B9 | 12 | 19 | 27 | 25 | 0.14 | — | — | — |
| 10 | 51.37 | 10B10 | 12 | 22 | 32 | 25 | 0.23 | — | — | — |
| 11 | 56.35 | 10B11 | 12 | 25 | 37 | 25 | 0.27 | — | — | — |
| 12 | 61.34 | 10B12 | 12 | 32 | 43 | 25 | 0.32 | 10A12 | 12 | 0.15 |
| 13 | 66.33 | 10B13 | 12 | 33 | 48 | 25 | 0.36 | 10A13 | 12 | 0.19 |
| 14 | 71.34 | 10B14 | 12 | 36 | 53 | 25 | 0.45 | 10A14 | 12 | 0.23 |
| 15 | 76.36 | 10B15 | 12 | 38 | 57 | 25 | 0.59 | 10A15 | 12 | 0.25 |
| 16 | 81.37 | 10B16 | 12 | 44 | 63 | 25 | 0.68 | 10A16 | 12 | 0.31 |
| 17 | 86.39 | 10B17 | 12 | 47 | 67 | 25 | 0.82 | 10A17 | 12 | 0.35 |
| 18 | 91.42 | 10B18 | 12 | 48 | 73 | 25 | 0.91 | 10A18 | 12 | 0.39 |
| 19 | 96.45 | 10B19 | 16 | 51 | 76 | 25 | 1.04 | 10A19 | 16 | 0.43 |
| 20 | 101.48 | 10B20 | 16 | 51 | 76 | 25 | 1.13 | 10A20 | 16 | 0.48 |
| 21 | 106.51 | 10B21 | 16 | 51 | 76 | 25 | 1.18 | 10A21 | 16 | 0.51 |
| 22 | 111.55 | 10B22 | 16 | 51 | 76 | 25 | 1.27 | 10A22 | 16 | 0.59 |
| 23 | 116.59 | 10B23 | 16 | 51 | 76 | 25 | 1.45 | 10A23 | 16 | 0.65 |
| 24 | 121.62 | 10B24 | 16 | 51 | 76 | 32 | 1.50 | 10A24 | 15 | 0.68 |
| 25 | 126.66 | 10B25 | 16 | 51 | 76 | 32 | 1.59 | 10A25 | 15 | 0.73 |
| 26 | 131.70 | 10B26 | 16 | 51 | 76 | 32 | 1.63 | 10A26 | 15 | 0.78 |
| 27 | 136.74 | 10B27 | 19 | 51 | 76 | 32 | 1.68 | 10A27 | 18 | 0.89 |
| 28 | 141.79 | 10B28 | 19 | 51 | 76 | 32 | 1.72 | 10A28 | 18 | 0.93 |
| 29 | 146.83 | 10B29 | 19 | 51 | 76 | 32 | 1.91 | 10A29 | 18 | 1.07 |
| 30 | 151.87 | 10B30 | 19 | 57 | 82 | 32 | 2.04 | 10A30 | 18 | 1.15 |
| 31 | 156.92 | 10B31 | 19 | 57 | 82 | 32 | 2.13 | 10A31 | 18 | 1.27 |
| 32 | 161.96 | 10B32 | 19 | 57 | 82 | 32 | 2.27 | 10A32 | 18 | 1.23 |
| 33 | 167.01 | 10B33 | 19 | 57 | 82 | 32 | 2.33 | 10A33 | 18 | 1.42 |
| 34 | 172.05 | 10B34 | 19 | 57 | 82 | 32 | 2.36 | 10A34 | 18 | 1.45 |
| 35 | 177.10 | 10B35 | 19 | 57 | 82 | 32 | 2.48 | 10A35 | 18 | 1.51 |
| 36 | 182.15 | 10B36 | 19 | 57 | 82 | 32 | 2.56 | 10A36 | 18 | 1.73 |
| 37 | 187.19 | 10B37 | 19 | 57 | 82 | 32 | 2.68 | 10A37 | 18 | 1.81 |
| 38 | 192.24 | 10B38 | 19 | 57 | 82 | 32 | 2.72 | 10A38 | 18 | 1.88 |
| 39 | 197.29 | 10B39 | 19 | 57 | 82 | 32 | 2.86 | 10A39 | 18 | 2.00 |
| 40 | 202.33 | 10B40 | 19 | 57 | 82 | 32 | 2.95 | 10A40 | 18 | 2.02 |
| 41 | 207.38 | 10B41 | 19 | 57 | 82 | 32 | 3.01 | 10A41 | 18 | 2.20 |
| 42 | 212.43 | 10B42 | 19 | 57 | 82 | 32 | 3.16 | 10A42 | 18 | 2.26 |
| 43 | 217.48 | 10B43 | 19 | 57 | 82 | 32 | 3.20 | 10A43 | 18 | 2.38 |
| 44 | 222.53 | 10B44 | 19 | 57 | 82 | 32 | 3.44 | 10A44 | 18 | 2.46 |
| 45 | 227.58 | 10B45 | 19 | 64 | 95 | 32 | 3.73 | 10A45 | 18 | 2.69 |
| 46 | 232.63 | 10B46 | 19 | 64 | 95 | 32 | 3.85 | 10A46 | 18 | 2.91 |
| 47 | 237.68 | 10B47 | 19 | 64 | 95 | 32 | 3.89 | 10A47 | 18 | 2.95 |
| 48 | 242.73 | 10B48 | 25 | 64 | 95 | 32 | 4.18 | 10A48 | 24 | 2.98 |
| 49 | 247.78 | 10B49 | 25 | 64 | 95 | 32 | 4.21 | 10A49 | 24 | 3.20 |
| 50 | 252.82 | 10B50 | 25 | 64 | 95 | 32 | 4.40 | 10A50 | 24 | 3.22 |
| 51 | 257.87 | 10B51 | 25 | 64 | 95 | 32 | 4.48 | 10A51 | 24 | 3.32 |
| 52 | 262.92 | 10B52 | 25 | 64 | 95 | 32 | 4.64 | 10A52 | 24 | 3.62 |
| 53 | 267.97 | 10B53 | 25 | 64 | 95 | 32 | 4.75 | 10A53 | 24 | 3.67 |
| 54 | 273.03 | 10B54 | 25 | 64 | 95 | 32 | 4.86 | 10A54 | 24 | 3.76 |
| 55 | 278.08 | 10B55 | 25 | 64 | 95 | 32 | 4.96 | 10A55 | 24 | 3.88 |
| 56 | 283.13 | 10B56 | 25 | 64 | 95 | 32 | 5.22 | 10A56 | 24 | 4.04 |
| 57 | 288.18 | 10B57 | 25 | 64 | 95 | 32 | 5.27 | 10A57 | 24 | 4.25 |
| 58 | 293.23 | 10B58 | 25 | 64 | 95 | 32 | 5.36 | 10A58 | 24 | 4.67 |
| 59 | 298.28 | 10B59 | 25 | 64 | 95 | 32 | 5.59 | 10A59 | 24 | 4.76 |
| 60 | 303.33 | 10B60 | 25 | 64 | 95 | 32 | 5.90 | 10A60 | 24 | 4.90 |
| 70 | 353.84 | 10B70 | 25 | 64 | 95 | 44 | 8.24 | 10A70 | 24 | 6.35 |
| 72 | 363.94 | 10B72 | 25 | 64 | 95 | 44 | 8.84 | 10A72 | 24 | 6.91 |
| 76 | 384.15 | 10B76 | 25 | 64 | 95 | 44 | 11.03 | 10A76 | 24 | 9.11 |
| 80 | 404.36 | 10B80 | 25 | 70 | 108 | 44 | 11.22 | 10A80 | 24 | 9.53 |
| 84 | 424.57 | 10B84 | 25 | 70 | 108 | 44 | 11.57 | 10A84 | 24 | 10.02 |
| 95 | 480.14 | 10B95 | 25 | 70 | 108 | 44 | 14.57 | 10A95 | 24 | 12.25 |
| 96 | 485.19 | 10B96 | 25 | 70 | 108 | 44 | 14.93 | 10A96 | 24 | 12.43 |
| 112 | 566.03 | 10B112 | 25 | 70 | 108 | 44 | 19.05 | 10A112 | 24 | 17.10 |
| 114 | 576.13 | 10B114 | 25 | 70 | 108 | 44 | 20.61 | 10A114 | 24 | 17.84 |



Maximum bores shown will accommodate standard keyseat and setscrew over keyseat. Slightly larger bores are possible with no keyseat, shallow keyseat, or setscrew at angle to keyseat.

0.625 INCH (15.88 mm) PITCH SIMPLEX



TYPE B

CHAIN DATA:

BS 228/11
 ISO 10B-1
 PITCH: 15.88 mm (0.625")
 ROLLER DIAMETER: 10.16 mm (0.400")
 ROLLER WIDTH: 9.65 mm (0.380")
 TENSILE: 2270 kilos (5000 lbs.)

Simplex - Taper Bushed — Steel

| No. Teeth | Pitch Diameter MM | Catalog Number | Bushing Number | Bore Max. MM | Dimension | | Weight Approx. | |
|-----------|----------------------|----------------|----------------|-----------------|-----------|---------|----------------|-----------------|
| | | | | | L MM | C MM | Rim (kg) | Bushing (kg) |
| 12 | 61.34 | 10BTB12H | 1008 | 25.40 | 22.23 | 49.20 * | 0.23 | 0.14 |
| 13 | 66.33 | 10BTB13H | 1008 | 25.40 | 22.23 | 46.02 | 0.23 | 0.14 |
| 14 | 71.34 | 10BTB14H | 1008 | 25.40 | 22.23 | 49.20 | 0.27 | 0.14 |
| 15 | 76.35 | 10BTB15H | 1210 | 31.75 | 25.40 | 62.69 * | 0.32 | 0.27 |
| 16 | 81.37 | 10BTB16H | 1610 | 41.28 | 25.40 | 70.64 * | 0.41 | 0.41 |
| 17 | 86.39 | 10BTB17H | 1610 | 41.28 | 25.40 | 70.64 * | 0.41 | 0.41 |
| 18 | 91.42 | 10BTB18H | 1610 | 41.28 | 25.40 | 70.64 | 0.41 | 0.41 |
| 19 | 96.45 | 10BTB19H | 1610 | 41.28 | 25.40 | 76.20 | 0.64 | 0.41 |
| 20 | 101.48 | 10BTB20H | 1610 | 41.28 | 25.40 | 76.20 | 0.68 | 0.41 |
| 21 | 106.51 | 10BTB21H | 1610 | 41.28 | 25.40 | 76.20 | 0.73 | 0.41 |
| 22 | 111.55 | 10BTB22H | 1610 | 41.28 | 25.40 | 76.20 | 0.78 | 0.41 |
| 23 | 116.59 | 10BTB23H | 2012 | 50.80 | 31.75 | 90.47 | 0.82 | 0.77 |
| 24 | 121.62 | 10BTB24H | 2012 | 50.80 | 31.75 | 90.47 | 0.91 | 0.77 |
| 25 | 126.66 | 10BTB25H | 2012 | 50.80 | 31.75 | 90.47 | 1.09 | 0.77 |
| 26 | 131.70 | 10BTB26H | 2012 | 50.80 | 31.75 | 90.47 | 1.14 | 0.77 |
| 27 | 136.74 | 10BTB27H | 2012 | 50.80 | 31.75 | 90.47 | 1.18 | 0.77 |
| 28 | 141.79 | 10BTB28H | 2012 | 50.80 | 31.75 | 90.47 | 1.29 | 0.77 |
| 30 | 151.87 | 10BTB30H | 2012 | 50.80 | 31.75 | 90.47 | 1.41 | 0.77 |
| 32 | 161.96 | 10BTB32 | 2012 | 50.80 | 31.75 | 90.47 | 1.63 | 0.77 |
| 35 | 177.10 | 10BTB35 | 2012 | 50.80 | 31.75 | 90.47 | 1.91 | 0.77 |
| 36 | 182.15 | 10BTB36 | 2012 | 50.80 | 31.75 | 90.47 | 1.95 | 0.77 |
| 38 | 192.24 | 10BTB38 | 2012 | 50.80 | 31.75 | 90.47 | 2.22 | 0.77 |
| 40 | 202.33 | 10BTB40 | 2012 | 50.80 | 31.75 | 90.47 | 2.36 | 0.77 |
| 42 | 212.43 | 10BTB42 | 2012 | 50.80 | 31.75 | 90.47 | 2.68 | 0.77 |
| 45 | 227.58 | 10BTB45 | 2012 | 50.80 | 31.75 | 90.47 | 2.95 | 0.77 |
| 48 | 242.73 | 10BTB48 | 2012 | 50.80 | 31.75 | 90.47 | 3.31 | 0.77 |
| 54 | 273.03 | 10BTB54 | 2012 | 50.80 | 31.75 | 90.47 | 4.08 | 0.77 |
| 57 | 288.18 | 10BTB57 | 2012 | 50.80 | 31.75 | 90.47 | 4.59 | 0.77 |
| 60 | 303.33 | 10BTB60 | 2012 | 50.80 | 31.75 | 90.47 | 4.90 | 0.77 |
| 70 | 353.84 | 10BTB70 | 2517 | 63.50 | 44.45 | 107.95 | 6.35 | 1.59 |
| 72 | 363.94 | 10BTB72 | 2517 | 63.50 | 44.45 | 107.95 | 7.03 | 1.59 |
| 76 | 384.15 | 10BTB76 | 2517 | 63.50 | 44.45 | 107.95 | 8.31 | 1.59 |
| 80 | 404.36 | 10BTB80 | 2517 | 63.50 | 44.45 | 107.95 | 8.85 | 1.59 |
| 84 | 424.57 | 10BTB84 | 2517 | 63.50 | 44.45 | 107.95 | 10.21 | 1.59 |
| 95 | 480.14 | 10BTB95 | 2517 | 63.50 | 44.45 | 107.95 | 12.76 | 1.59 |
| 96 | 485.19 | 10BTB96 | 2517 | 63.50 | 44.45 | 107.95 | 13.15 | 1.59 |
| 114 | 576.13 | 10BTB114 | 2517 | 63.50 | 44.45 | 107.95 | 19.61 | 1.59 |

* Has recessed groove in hub for chain clearance.
 Sprockets with "H" suffix have hardened teeth.

ISO 10B-2

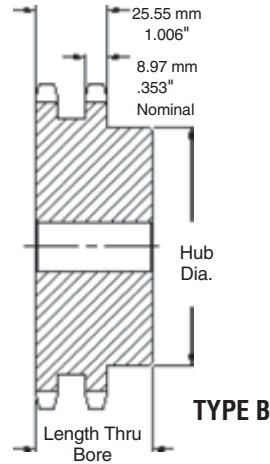
METRIC 50-2

Metric Sprockets

CHAIN DATA:

BS 228/11
 ISO 10B-2
 PITCH: 15.88 mm (0.625")
 ROLLER DIAMETER: 10.16 mm (0.400")
 ROLLER WIDTH: 9.65 mm (0.380")
 TENSILE: 4540 kilos (10,000 lbs.)

0.625 INCH (15.88 mm) PITCH DUPLEX



Duplex - Type B — Steel

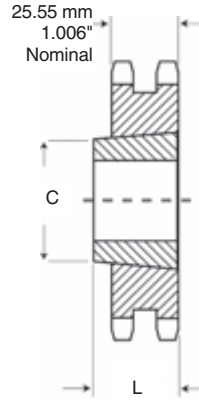
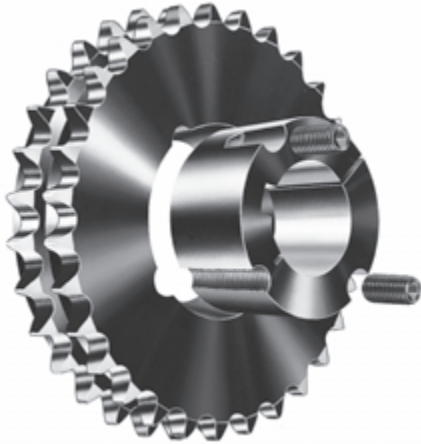
| No. Teeth | Pitch Diameter MM | Catalog Number | Bore | | Hub | | Weight Approx. (kg) |
|-----------|-------------------|----------------|----------|---------|---------|---------|---------------------|
| | | | Stock MM | Max. MM | Dia. MM | Thru MM | |
| 11 | 56.35 | D10B11 | 14 | 24 | 37 | 40 | 0.44 |
| 12 | 61.34 | D10B12 | 14 | 28 | 43 | 40 | 0.57 |
| 13 | 66.33 | D10B13 | 14 | 33 | 48 | 40 | 0.71 |
| 14 | 71.34 | D10B14 | 14 | 35 | 53 | 40 | 0.84 |
| 15 | 76.35 | D10B15 | 14 | 38 | 58 | 40 | 1.01 |
| 16 | 81.37 | D10B16 | 16 | 40 | 63 | 45 | 1.19 |
| 17 | 86.39 | D10B17 | 16 | 45 | 68 | 45 | 1.38 |
| 18 | 91.42 | D10B18 | 16 | 48 | 73 | 45 | 1.62 |
| 19 | 96.45 | D10B19 | 16 | 52 | 79 | 45 | 1.77 |
| 20 | 101.48 | D10B20 | 16 | 56 | 84 | 45 | 1.93 |
| 21 | 106.51 | D10B21 | 16 | 56 | 85 | 45 | 2.22 |
| 22 | 111.55 | D10B22 | 16 | 60 | 90 | 45 | 2.53 |
| 23 | 116.59 | D10B23 | 16 | 62 | 95 | 45 | 2.77 |
| 24 | 121.62 | D10B24 | 16 | 64 | 100 | 45 | 2.95 |
| 25 | 126.66 | D10B25 | 16 | 68 | 105 | 45 | 3.15 |
| 26 | 131.70 | D10B26 | 20 | 73 | 110 | 45 | 3.42 |
| 27 | 136.74 | D10B27 | 20 | 73 | 110 | 45 | 3.98 |
| 28 | 141.79 | D10B28 | 20 | 76 | 115 | 45 | 4.20 |
| 29 | 146.83 | D10B29 | 20 | 76 | 115 | 45 | 4.43 |
| 30 | 151.87 | D10B30 | 20 | 80 | 120 | 45 | 4.66 |
| 32 | 161.96 | D10B32 | 20 | 80 | 120 | 45 | 5.16 |
| 35 | 177.10 | D10B35 | 20 | 80 | 120 | 45 | 5.96 |
| 36 | 182.15 | D10B36 | 20 | 80 | 120 | 45 | 6.70 |
| 38 | 192.24 | D10B38 | 20 | 80 | 120 | 50 | 7.67 |
| 40 | 202.33 | D10B40 | 30 | 80 | 120 | 50 | 7.92 |
| 45 | 227.58 | D10B45 | 30 | 80 | 120 | 50 | 9.21 |
| 48 | 242.73 | D10B48 | 30 | 80 | 120 | 60 | 10.92 |
| 57 | 288.18 | D10B57 | 32 | 85 | 130 | 60 | 15.07 |
| 60 | 303.33 | D10B60 | 32 | 85 | 130 | 60 | 16.27 |
| 70 | 353.84 | D10B70 | 32 | 85 | 130 | 60 | 21.99 |
| 76 | 384.15 | D10B76 | 32 | 85 | 130 | 60 | 26.31 |
| 80 | 404.36 | D10B80 | 32 | 85 | 130 | 60 | 27.98 |
| 95 | 480.14 | D10B95 | 32 | 85 | 130 | 60 | 32.69 |
| 114 | 576.13 | D10B114 | 32 | 85 | 130 | 60 | 49.30 |

Maximum bores shown will accommodate standard keyseat and setscrew over keyseat. Slightly larger bores are possible with no keyseat, shallow keyseat, or setscrew at angle to keyseat.

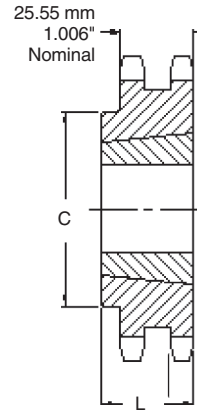
0.625 INCH (15.88 mm) PITCH DUPLEX

CHAIN DATA:

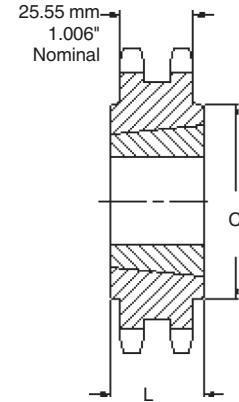
BS 228/11
 ISO 10B-2
 PITCH: 15.878 mm (0.625")
 ROLLER DIAMETER: 10.16 mm (0.400")
 ROLLER WIDTH: 9.65 mm (0.380")
 TENSILE: 4540 kilos (10,000 lbs.)



TYPE A



TYPE B



TYPE C

Duplex - Taper Bushed — Steel

| No. Teeth | Pitch Diameter MM | Catalog Number | Bushing Number | Bore Max. MM | Dimension | | Weight | |
|-----------|-------------------|----------------|----------------|--------------|-----------|--------|----------|--------------|
| | | | | | L MM | C MM | Rim (kg) | Bushing (kg) |
| 14 | 71.34 | D10ATB14 | 1008 | 25.40 | 22.23 | — | 0.45 | 0.14 |
| 15 | 76.35 | D10ATB15 | 1210 | 31.75 | 25.40 | — | 0.48 | 0.27 |
| 16 | 81.37 | D10ATB16 | 1210 | 31.75 | 25.40 | — | 0.50 | 0.27 |
| 17 | 86.39 | D10ATB17 | 1610 | 41.28 | 25.40 | — | 0.57 | 0.41 |
| 18 | 91.42 | D10ATB18 | 1610 | 41.28 | 25.40 | — | 0.64 | 0.41 |
| 19 | 96.45 | D10ATB19 | 1610 | 41.28 | 25.40 | — | 0.71 | 0.41 |
| 20 | 101.49 | D10BTB20 | 2012 | 50.80 | 25.40 | 84.00 | 0.82 | 0.77 |
| 21 | 106.52 | D10BTB21 | 2012 | 50.80 | 25.40 | 89.00 | 0.86 | 0.77 |
| 22 | 111.55 | D10BTB22 | 2012 | 50.80 | 31.75 | 99.00 | 1.45 | 0.77 |
| 23 | 116.59 | D10BTB23 | 2012 | 50.80 | 31.75 | 109.00 | 1.72 | 0.77 |
| 25 | 126.66 | D10BTB25 | 2012 | 50.80 | 31.75 | 134.00 | 3.40 | 0.77 |
| 30 | 151.87 | D10BTB30 | 2517 | 63.50 | 44.45 | 107.95 | 3.92 | 1.59 |
| 36 | 182.15 | D10CTB36 | 2517 | 63.50 | 44.45 | 107.95 | 4.54 | 1.59 |
| 38 | 192.24 | D10CTB38 | 2517 | 63.50 | 44.45 | 107.95 | 5.68 | 1.59 |
| 42 | 212.43 | D10CTB42 | 2517 | 63.50 | 44.45 | 107.95 | 7.95 | 1.59 |
| 48 | 242.73 | D10CTB48 | 2517 | 63.50 | 44.45 | 107.95 | 11.35 | 1.59 |
| 57 | 288.18 | D10CTB57 | 2517 | 63.50 | 44.45 | 107.95 | 19.69 | 1.59 |
| 60 | 303.33 | D10CTB60 | 2517 | 63.50 | 44.45 | 107.95 | 22.47 | 1.59 |
| 68 | 343.74 | D10CTB68 | 2517 | 63.50 | 44.45 | 107.95 | 25.47 | 1.59 |
| 76 | 384.15 | D10CTB76 | 2517 | 63.50 | 44.45 | 107.95 | 37.30 | 1.59 |
| 84 | 424.57 | D10CTB84 | 2517 | 63.50 | 44.45 | 107.95 | 44.72 | 1.59 |
| 95 | 480.14 | D10CTB95 | 2517 | 63.50 | 44.45 | 107.95 | 52.14 | 1.59 |
| 114 | 576.13 | D10CTB114 | 2517 | 63.50 | 44.45 | 107.95 | 62.57 | 1.59 |

ISO 50

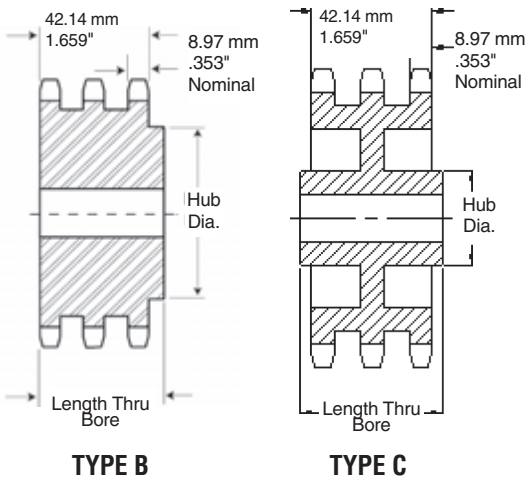
METRIC 50-3

Metric Sprockets

0.625 INCH (15.88 mm) PITCH TRIPLEX

CHAIN DATA:

BS 228/11
 ISO 10B-3
 PITCH: 15.88 mm (0.625")
 ROLLER DIAMETER: 10.16 mm (0.400")
 ROLLER WIDTH: 9.65 mm (0.380")
 TENSILE: 6810 kilos (10,000 lbs.)



Triplex - Type B/C — Steel

| No. Teeth | Pitch Diameter MM | Catalog Number | Bore | | Hub | | Weight Approx. (kg) |
|-----------|-------------------|----------------|----------|---------|---------|---------|---------------------|
| | | | Stock MM | Max. MM | Dia. MM | Thru MM | |
| 11 | 56.35 | E10B11 | 16 | 24 | 37 | 55 | 0.68 |
| 12 | 61.34 | E10B12 | 16 | 29 | 43 | 55 | 0.82 |
| 13 | 66.33 | E10B13 | 16 | 34 | 48 | 55 | 1.05 |
| 14 | 71.34 | E10B14 | 16 | 35 | 53 | 55 | 1.23 |
| 15 | 76.35 | E10B15 | 16 | 38 | 58 | 55 | 1.36 |
| 16 | 81.37 | E10B16 | 16 | 42 | 63 | 60 | 1.55 |
| 17 | 86.39 | E10B17 | 16 | 45 | 68 | 60 | 1.81 |
| 18 | 91.42 | E10B18 | 16 | 48 | 73 | 60 | 2.09 |
| 19 | 96.45 | E10B19 | 16 | 52 | 79 | 60 | 2.40 |
| 20 | 101.48 | E10B20 | 16 | 56 | 84 | 60 | 2.72 |
| 21 | 106.51 | E10B21 | 20 | 56 | 85 | 60 | 3.04 |
| 22 | 111.55 | E10B22 | 20 | 60 | 90 | 60 | 3.36 |
| 23 | 116.59 | E10B23 | 20 | 62 | 95 | 60 | 3.67 |
| 24 | 121.62 | E10B24 | 20 | 64 | 100 | 60 | 4.00 |
| 25 | 126.66 | E10B25 | 20 | 68 | 105 | 60 | 4.31 |
| 26 | 131.70 | E10B26 | 20 | 73 | 110 | 60 | 5.18 |
| 27 | 136.74 | E10B27 | 20 | 73 | 110 | 60 | 5.63 |
| 28 | 141.79 | E10B28 | 20 | 76 | 115 | 60 | 6.04 |
| 29 | 146.83 | E10B29 | 20 | 76 | 115 | 60 | 6.22 |
| 30 | 151.87 | E10B30 | 20 | 80 | 120 | 60 | 6.36 |
| 32 | 161.96 | E10B32 | 20 | 80 | 120 | 60 | 7.26 |
| 35 | 177.10 | E10B35 | 20 | 80 | 120 | 60 | 8.60 |
| 36 | 182.15 | E10B36 | 25 | 80 | 120 | 60 | 9.34 |
| 38 | 192.24 | E10B38 | 25 | 80 | 120 | 60 | 11.03 |
| 45 | 227.58 | E10B45 | 30 | 80 | 120 | 75 | 14.94 |
| 48 | 242.73 | E10B48 | 30 | 80 | 120 | 75 | 16.62 |
| 57 | 288.18 | E10B57 | 32 | 80 | 120 | 75 | 21.77 |
| 60 | 303.33 | E10B60 | 32 | 80 | 120 | 75 | 22.22 |
| 76 | 384.15 | E10C76 | 32 | 80 | 120 | 89 | 23.13 |
| 80 | 404.36 | E10C80 | 32 | 80 | 120 | 89 | 25.14 |
| 95 | 480.14 | E10C95 | 32 | 80 | 120 | 95 | 32.66 |
| 114 | 576.13 | E10C114 | 32 | 80 | 120 | 95 | 44.76 |

Maximum bores shown will accommodate standard keyseat and setscrew over keyseat. Slightly larger bores are possible with no keyseat, shallow keyseat, or setscrew at angle to keyseat.

Martin

Metric Sprockets

ISO 12B-1

METRIC 60

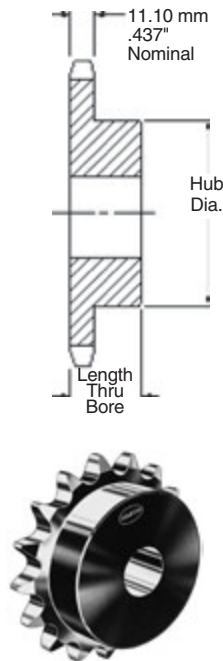
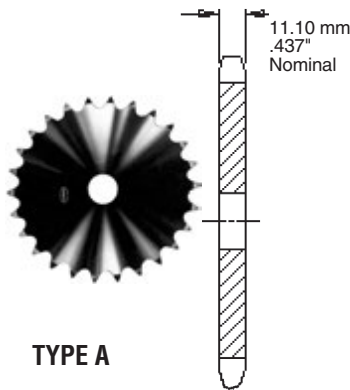
0.750 INCH (19.05 mm) PITCH **SIMPLEX**

CHAIN DATA:

BS 22B/13
 ISO 12B-1
 PITCH: 19.05 mm (0.750")
 ROLLER DIAMETER: 12.07 mm (0.475")
 ROLLER WIDTH: 11.68 mm (0.460")
 TENSILE: 2,950 kilos (6500 lbs.)

Simplex - Type B — Steel

Simplex - Type A — Steel



| No. Teeth | Pitch Diameter MM | Catalog Number | Bore | | Hub | | Weight Approx. (kg) | Catalog Number | Bore Stock MM | Weight Approx. (kg) |
|-----------|-------------------|----------------|----------|---------|---------|---------|---------------------|----------------|---------------|---------------------|
| | | | Stock MM | Max. MM | Dia. MM | Thru MM | | | | |
| 11 | 67.62 | 12B11 | 12 | 32 | 47 | 35 | 0.53 | 12A11 | 14 | 0.36 |
| 12 | 73.60 | 12B12 | 12 | 35 | 53 | 35 | 0.67 | 12A12 | 14 | 0.42 |
| 13 | 79.60 | 12B13 | 12 | 38 | 59 | 35 | 0.75 | 12A13 | 14 | 0.48 |
| 14 | 85.61 | 12B14 | 12 | 42 | 64 | 35 | 0.91 | 12A14 | 14 | 0.54 |
| 15 | 91.63 | 12B15 | 12 | 45 | 70 | 35 | 1.14 | 12A15 | 14 | 0.60 |
| 16 | 97.65 | 12B16 | 16 | 50 | 75 | 35 | 1.27 | 12A16 | 14 | 0.68 |
| 17 | 103.67 | 12B17 | 16 | 52 | 80 | 35 | 1.46 | 12A17 | 14 | 0.77 |
| 18 | 109.71 | 12B18 | 16 | 52 | 80 | 35 | 1.69 | 12A18 | 14 | 0.85 |
| 19 | 115.74 | 12B19 | 16 | 60 | 90 | 35 | 1.78 | 12A19 | 14 | 0.95 |
| 20 | 121.78 | 12B20 | 16 | 64 | 90 | 35 | 2.10 | 12A20 | 14 | 1.08 |
| 21 | 127.82 | 12B21 | 20 | 64 | 100 | 40 | 2.27 | 12A21 | 16 | 1.15 |
| 22 | 133.86 | 12B22 | 20 | 64 | 100 | 40 | 2.38 | 12A22 | 16 | 1.24 |
| 23 | 139.90 | 12B23 | 20 | 67 | 100 | 40 | 2.49 | 12A23 | 16 | 1.33 |
| 24 | 145.95 | 12B24 | 20 | 67 | 100 | 40 | 2.62 | 12A24 | 19 | 1.47 |
| 25 | 151.99 | 12B25 | 20 | 67 | 100 | 40 | 2.78 | 12A25 | 19 | 1.63 |
| 26 | 158.04 | 12B26 | 20 | 67 | 100 | 40 | 2.89 | 12A26 | 19 | 1.72 |
| 27 | 164.09 | 12B27 | 20 | 67 | 100 | 40 | 3.05 | 12A27 | 19 | 1.91 |
| 28 | 170.14 | 12B28 | 20 | 67 | 100 | 40 | 3.12 | 12A28 | 19 | 1.99 |
| 29 | 176.19 | 12B29 | 20 | 67 | 100 | 40 | 3.30 | 12A29 | 19 | 2.44 |
| 30 | 182.25 | 12B30 | 20 | 67 | 100 | 40 | 3.44 | 12A30 | 19 | 2.28 |
| 31 | 188.30 | 12B31 | 20 | 67 | 100 | 40 | 3.50 | 12A31 | 19 | 2.49 |
| 32 | 194.35 | 12B32 | 20 | 67 | 100 | 40 | 3.75 | 12A32 | 19 | 2.62 |
| 33 | 200.41 | 12B33 | 20 | 67 | 100 | 40 | 3.82 | 12A33 | 19 | 2.77 |
| 34 | 206.46 | 12B34 | 20 | 67 | 100 | 40 | 3.99 | 12A34 | 19 | 2.91 |
| 35 | 212.52 | 12B35 | 20 | 67 | 100 | 40 | 4.10 | 12A35 | 19 | 3.19 |
| 36 | 218.57 | 12B36 | 20 | 67 | 100 | 40 | 4.35 | 12A36 | 19 | 3.21 |
| 37 | 224.63 | 12B37 | 20 | 67 | 100 | 40 | 4.64 | 12A37 | 19 | 3.52 |
| 38 | 230.69 | 12B38 | 25 | 70 | 107 | 40 | 4.92 | 12A38 | 24 | 3.67 |
| 39 | 236.74 | 12B39 | 25 | 70 | 107 | 40 | 5.15 | 12A39 | 24 | 3.87 |
| 40 | 242.80 | 12B40 | 25 | 70 | 107 | 40 | 5.22 | 12A40 | 24 | 4.00 |
| 41 | 248.86 | 12B41 | 25 | 70 | 107 | 40 | 5.51 | 12A41 | 24 | 4.24 |
| 42 | 254.92 | 12B42 | 25 | 70 | 107 | 40 | 5.78 | 12A42 | 24 | 4.53 |
| 43 | 260.98 | 12B43 | 25 | 70 | 107 | 40 | 5.90 | 12A43 | 24 | 4.58 |
| 44 | 267.03 | 12B44 | 25 | 70 | 107 | 40 | 6.30 | 12A44 | 25 | 4.99 |
| 45 | 273.09 | 12B45 | 25 | 70 | 107 | 40 | 6.34 | 12A45 | 25 | 5.14 |
| 46 | 279.15 | 12B46 | 25 | 70 | 107 | 40 | 6.62 | 12A46 | 25 | 5.33 |
| 47 | 285.21 | 12B47 | 25 | 70 | 107 | 40 | 6.80 | 12A47 | 25 | 5.70 |
| 48 | 291.27 | 12B48 | 25 | 70 | 107 | 40 | 7.18 | 12A48 | 25 | 5.75 |
| 50 | 303.39 | 12B50 | 25 | 70 | 107 | 40 | 8.01 | 12A50 | 25 | 6.45 |
| 54 | 327.63 | 12B54 | 32 | 70 | 110 | 45 | 9.80 | 12A54 | 32 | 7.33 |
| 57 | 345.81 | 12B57 | 32 | 70 | 110 | 45 | 10.10 | 12A57 | 32 | 8.11 |
| 60 | 363.99 | 12B60 | 32 | 70 | 110 | 45 | 11.44 | 12A60 | 32 | 9.19 |
| 65 | 394.30 | 12B65 | 32 | 70 | 110 | 45 | 13.12 | 12A65 | 32 | 10.65 |
| 70 | 424.61 | 12B70 | 32 | 70 | 110 | 45 | 14.51 | 12A70 | 32 | 12.45 |
| 72 | 436.73 | 12B72 | 32 | 80 | 120 | 50 | 15.50 | 12A72 | 32 | 13.22 |
| 76 | 460.98 | 12B76 | 32 | 80 | 120 | 50 | 17.26 | 12A76 | 32 | 14.78 |
| 80 | 485.23 | 12B80 | 32 | 80 | 120 | 50 | 19.00 | 12A80 | 32 | 20.75 |
| 84 | 509.48 | 12B84 | 32 | 80 | 120 | 50 | 21.07 | 12A84 | 32 | 21.78 |
| 95 | 576.17 | 12B95 | 32 | 92 | 140 | 55 | 23.83 | 12A95 | 32 | 23.46 |
| 96 | 582.23 | 12B96 | 32 | 92 | 140 | 55 | 26.61 | 12A96 | 32 | 23.71 |
| 114 | 691.36 | 12B114 | 32 | 92 | 140 | 55 | 33.98 | 12A114 | 32 | 28.16 |

Maximum bores shown will accommodate standard keyseat and setscrew over keyseat. Slightly larger bores are possible with no keyseat, shallow keyseat, or setscrew at angle to keyseat.

ISO 12B-1

METRIC 60

Metric Sprockets

CHAIN DATA:

BS 228/13
 ISO 12B-1
 PITCH: 19.05 mm (0.750")
 ROLLER DIAMETER: 12.07 mm (0.475")
 ROLLER WIDTH: 11.68 mm (0.460")
 TENSILE: 2,950 kilos (6500 lbs.)

0.750 INCH (19.05 mm) PITCH SIMPLEX



TYPE B

Simplex - Taper Bushed — Steel

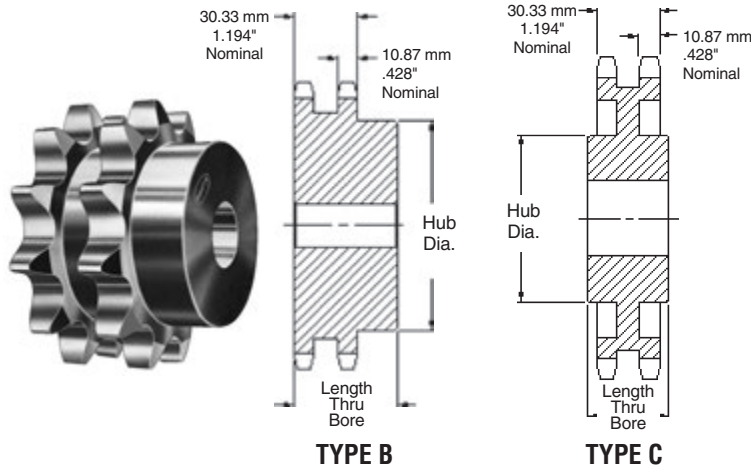
| No. Teeth | Pitch Diameter MM | Catalog Number | Bushing Number | Bore Max. MM | Dimension | | Weight Approx. | |
|-----------|----------------------|----------------|----------------|-----------------|-----------|---------|----------------|-----------------|
| | | | | | L MM | C MM | Rim (kg) | Bushing (kg) |
| 11 | 67.62 | 12BTB11H | 1008 | 25.40 | 22.23 | 46.04 | 0.27 | 0.14 |
| 12 | 73.61 | 12BTB12H | 1008 | 25.40 | 22.23 | 49.21 | 0.36 | 0.14 |
| 13 | 79.60 | 12BTB13H | 1210 | 31.75 | 25.40 | 62.69 | 0.41 | 0.27 |
| 14 | 85.61 | 12BTB14H | 1210 | 31.75 | 25.40 | 62.69 | 0.45 | 0.27 |
| 15 | 91.63 | 12BTB15H | 1610 | 41.28 | 25.40 | 70.64 | 0.54 | 0.41 |
| 16 | 97.65 | 12BTB16H | 1610 | 41.28 | 25.40 | 76.20 | 0.73 | 0.41 |
| 17 | 103.67 | 12BTB17H | 1610 | 41.28 | 25.40 | 82.55 | 0.82 | 0.41 |
| 18 | 109.70 | 12BTB18H | 1610 | 41.28 | 25.40 | 82.55 | 0.91 | 0.41 |
| 19 | 115.74 | 12BTB19H | 1610 | 41.28 | 25.40 | 82.55 | 1.00 | 0.41 |
| 20 | 121.78 | 12BTB20H | 2012 | 50.80 | 31.75 | 90.47 | 1.00 | 0.77 |
| 21 | 127.82 | 12BTB21H | 2012 | 50.80 | 31.75 | 90.47 | 1.18 | 0.77 |
| 22 | 133.86 | 12BTB22H | 2012 | 50.80 | 31.75 | 90.47 | 1.27 | 0.77 |
| 23 | 139.90 | 12BTB23H | 2012 | 50.80 | 31.75 | 90.47 | 1.27 | 0.77 |
| 24 | 145.95 | 12BTB24H | 2012 | 50.80 | 31.75 | 90.47 | 1.50 | 0.77 |
| 25 | 151.99 | 12BTB25H | 2012 | 50.80 | 31.75 | 90.47 | 1.74 | 0.77 |
| 26 | 158.04 | 12BTB26H | 2012 | 50.80 | 31.75 | 90.47 | 1.74 | 0.77 |
| 27 | 164.09 | 12BTB27H | 2012 | 50.80 | 31.75 | 90.47 | 1.80 | 0.77 |
| 28 | 170.14 | 12BTB28H | 2012 | 50.80 | 31.75 | 90.47 | 2.04 | 0.77 |
| 30 | 182.25 | 12BTB30H | 2012 | 50.80 | 31.75 | 90.47 | 2.32 | 0.77 |
| 32 | 194.35 | 12BTB32 | 2012 | 50.80 | 31.75 | 90.47 | 2.48 | 0.77 |
| 35 | 212.52 | 12BTB35 | 2012 | 50.80 | 31.75 | 90.47 | 2.71 | 0.77 |
| 36 | 218.57 | 12BTB36 | 2012 | 50.80 | 31.75 | 90.47 | 2.78 | 0.77 |
| 38 | 230.69 | 12BTB38 | 2012 | 50.80 | 31.75 | 90.47 | 3.36 | 0.77 |
| 40 | 242.80 | 12BTB40 | 2012 | 50.80 | 31.75 | 90.47 | 3.53 | 0.77 |
| 42 | 254.92 | 12BTB42 | 2012 | 50.80 | 31.75 | 90.47 | 3.71 | 0.77 |
| 45 | 273.09 | 12BTB45 | 2012 | 50.80 | 31.75 | 90.47 | 3.98 | 0.77 |
| 48 | 291.27 | 12BTB48 | 2012 | 50.80 | 31.75 | 90.47 | 4.24 | 0.77 |
| 54 | 327.63 | 12BTB54 | 2517 | 63.50 | 44.45 | 107.95 | 8.30 | 1.59 |
| 57 | 345.81 | 12BTB57 | 2517 | 63.50 | 44.45 | 107.95 | 8.76 | 1.59 |
| 60 | 363.99 | 12BTB60 | 2517 | 63.50 | 44.45 | 107.95 | 9.22 | 1.59 |
| 68 | 412.49 | 12BTB68 | 2517 | 63.50 | 44.45 | 107.95 | 10.45 | 1.59 |
| 70 | 424.61 | 12BTB70 | 2517 | 63.50 | 44.45 | 107.95 | 10.76 | 1.59 |
| 72 | 436.73 | 12BTB72 | 2517 | 63.50 | 44.45 | 107.95 | 11.06 | 1.59 |
| 76 | 460.98 | 12BTB76 | 2517 | 63.50 | 44.45 | 107.95 | 11.68 | 1.59 |
| 84 | 509.48 | 12BTB84 | 2517 | 63.50 | 44.45 | 107.95 | 12.91 | 1.59 |
| 95 | 576.17 | 12BTB95 | 2517 | 63.50 | 44.45 | 107.95 | 14.60 | 1.59 |
| 96 | 582.23 | 12BTB96 | 2517 | 63.50 | 44.45 | 107.95 | 14.75 | 1.59 |
| 114 | 691.36 | 12BTB114 | 2517 | 63.50 | 44.45 | 107.95 | 17.52 | 1.59 |

Sprockets with "H" suffix have hardened teeth.

0.750 INCH (19.05 mm) PITCH DUPLEX

CHAIN DATA:

BS 228/13
 ISO 12B-2
 PITCH: 19.05 mm (0.750")
 ROLLER DIAMETER: 12.07 mm (0.475")
 ROLLER WIDTH: 11.68 mm (0.460")
 TENSILE: 5,900 kilos (13,000 lbs.)



Duplex - Type B/C — Steel

| No. Teeth | Pitch Diameter MM | Catalog Number | Bore | | Hub | | Weight Approx. (kg) |
|-----------|-------------------|----------------|----------|---------|---------|---------|---------------------|
| | | | Stock MM | Max. MM | Dia. MM | Thru MM | |
| 11 | 67.62 | D12B11 | 16 | 32 | 47 | 50 | 1.00 |
| 12 | 73.60 | D12B12 | 16 | 36 | 53 | 50 | 1.23 |
| 13 | 79.60 | D12B13 | 16 | 38 | 59 | 50 | 1.41 |
| 14 | 85.61 | D12B14 | 16 | 42 | 65 | 50 | 1.68 |
| 15 | 91.63 | D12B15 | 16 | 45 | 71 | 50 | 1.95 |
| 16 | 97.65 | D12B16 | 20 | 51 | 77 | 50 | 2.27 |
| 17 | 103.67 | D12B17 | 20 | 54 | 83 | 50 | 2.63 |
| 18 | 109.70 | D12B18 | 20 | 60 | 89 | 50 | 3.18 |
| 19 | 115.74 | D12B19 | 20 | 62 | 95 | 50 | 3.50 |
| 20 | 121.78 | D12B20 | 20 | 64 | 100 | 50 | 3.72 |
| 21 | 127.82 | D12B21 | 20 | 64 | 100 | 50 | 4.31 |
| 22 | 133.86 | D12B22 | 20 | 64 | 100 | 50 | 4.77 |
| 23 | 139.90 | D12B23 | 20 | 73 | 110 | 50 | 4.99 |
| 24 | 145.95 | D12B24 | 20 | 73 | 110 | 50 | 5.45 |
| 25 | 151.99 | D12B25 | 20 | 80 | 120 | 50 | 5.67 |
| 26 | 158.04 | D12B26 | 20 | 80 | 120 | 50 | 6.13 |
| 27 | 164.09 | D12B27 | 20 | 80 | 120 | 50 | 6.49 |
| 28 | 170.14 | D12B28 | 20 | 80 | 120 | 50 | 6.81 |
| 29 | 176.19 | D12B29 | 20 | 80 | 120 | 50 | 7.13 |
| 30 | 182.25 | D12B30 | 20 | 80 | 120 | 50 | 7.49 |
| 32 | 194.35 | D12B32 | 20 | 85 | 130 | 50 | 9.31 |
| 35 | 212.52 | D12B35 | 20 | 85 | 130 | 50 | 10.18 |
| 36 | 218.57 | D12B36 | 25 | 85 | 130 | 50 | 12.31 |
| 38 | 230.69 | D12B38 | 25 | 85 | 130 | 50 | 12.99 |
| 40 | 242.80 | D12B40 | 25 | 85 | 130 | 50 | 13.67 |
| 45 | 273.09 | D12B45 | 25 | 85 | 130 | 50 | 15.38 |
| 48 | 291.27 | D12B48 | 25 | 85 | 130 | 50 | 16.41 |
| 57 | 345.81 | D12B57 | 32 | 85 | 130 | 65 | 25.34 |
| 60 | 363.99 | D12B60 | 32 | 85 | 130 | 65 | 26.67 |
| 68 | 412.49 | D12C68 | 32 | 85 | 130 | 75 | 30.48 |
| 76 | 460.98 | D12C76 | 40 | 85 | 130 | 75 | 25.63 |
| 80 | 485.23 | D12C80 | 40 | 85 | 130 | 75 | 26.98 |
| 95 | 576.17 | D12C95 | 40 | 93 | 140 | 85 | 39.24 |
| 96 | 582.23 | D12C96 | 40 | 93 | 140 | 85 | 39.65 |
| 114 | 691.36 | D12C114 | 40 | 93 | 140 | 85 | 41.86 |

Maximum bores shown will accommodate standard keyseat and setscrew over keyseat. Slightly larger bores are possible with no keyseat, shallow keyseat, or setscrew at angle to keyseat.

ISO 12B-2

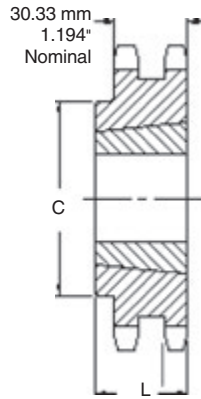
METRIC 60-2

Metric Sprockets

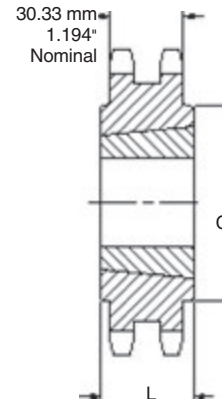
CHAIN DATA:

BS 228/13
 ISO 12B-2
 PITCH: 19.05 mm (0.750")
 ROLLER DIAMETER: 12.07 mm (0.475")
 ROLLER WIDTH: 11.68 mm (0.460")
 TENSILE: 5,900 kilos (13000 lbs.)

0.750 INCH (19.05 mm) PITCH DUPLEX



TYPE B



TYPE C

Duplex - Taper Bushed — Steel

| No. Teeth | Pitch Diameter MM | Catalog Number | Bushing Number | Bore Max. MM | Dimension | | Weight Approx. | |
|-----------|-------------------|----------------|----------------|--------------|-----------|--------|----------------|--------------|
| | | | | | L MM | C MM | Rim (kg) | Bushing (kg) |
| 12 | 73.60 | D12BTB12 | 1215 | 31.75 | 38.10 | 53.54 | 0.61 | 0.73 |
| 13 | 79.60 | D12BTB13 | 1215 | 31.75 | 38.10 | 59.74 | 0.66 | 0.77 |
| 14 | 85.61 | D12BTB14 | 1215 | 31.75 | 38.10 | 65.91 | 0.84 | 0.82 |
| 15 | 91.63 | D12BTB15 | 1615 | 41.28 | 38.10 | 72.09 | 0.70 | 0.77 |
| 16 | 97.65 | D12BTB16 | 1615 | 41.28 | 38.10 | 76.20 | 1.11 | 0.77 |
| 17 | 103.67 | D12BTB17 | 1615 | 41.28 | 38.10 | 82.93 | 1.25 | 0.77 |
| 18 | 109.70 | D12BTB18 | 2012 | 50.80 | 31.75 | 90.50 | 1.56 | 0.77 |
| 19 | 115.74 | D12BTB19 | 2012 | 50.80 | 31.75 | 96.6 | 1.81 | 0.77 |
| 20 | 121.78 | D12BTB20 | 2517 | 63.50 | 44.45 | 102.00 | 2.04 | 1.59 |
| 21 | 127.82 | D12BTB21 | 2517 | 63.50 | 44.45 | 107.95 | 2.50 | 1.59 |
| 22 | 133.86 | D12BTB22 | 2517 | 63.50 | 44.45 | 107.95 | 2.78 | 1.59 |
| 23 | 139.90 | D12BTB23 | 2517 | 63.50 | 44.45 | 107.95 | 3.07 | 1.59 |
| 24 | 145.95 | D12BTB24 | 2517 | 63.50 | 44.45 | 107.95 | 3.35 | 1.59 |
| 25 | 151.99 | D12BTB25 | 2517 | 63.50 | 44.45 | 107.95 | 3.63 | 1.59 |
| 26 | 158.04 | D12BTB26 | 2517 | 63.50 | 44.45 | 107.95 | 3.91 | 1.59 |
| 27 | 164.09 | D12BTB27 | 2517 | 63.50 | 44.45 | 107.95 | 4.20 | 1.59 |
| 28 | 170.14 | D12BTB28 | 2517 | 63.50 | 44.45 | 107.95 | 4.48 | 1.59 |
| 30 | 182.25 | D12BTB30 | 2517 | 63.50 | 44.45 | 107.95 | 5.04 | 1.59 |
| 32 | 194.35 | D12BTB32 | 2517 | 63.50 | 44.45 | 107.95 | 5.61 | 1.59 |
| 35 | 212.52 | D12BTB35 | 2517 | 63.50 | 44.45 | 107.95 | 6.46 | 1.59 |
| 38 | 230.69 | D12CTB38 | 2517 | 63.50 | 44.45 | 107.95 | 8.40 | 1.59 |
| 40 | 242.80 | D12CTB40 | 2517 | 63.50 | 44.45 | 107.95 | 9.56 | 1.59 |
| 42 | 254.92 | D12CTB42 | 2517 | 63.50 | 44.45 | 107.95 | 10.73 | 1.59 |
| 45 | 273.09 | D12CTB45 | 2517 | 63.50 | 44.45 | 107.95 | 12.48 | 1.59 |
| 48 | 291.27 | D12CTB48 | 2517 | 63.50 | 44.45 | 107.95 | 14.23 | 1.59 |
| 54 | 327.63 | D12CTB54 | 2517 | 63.50 | 44.45 | 107.95 | 17.73 | 1.59 |
| 57 | 345.81 | D12CTB57 | 2517 | 63.50 | 44.45 | 107.95 | 19.48 | 1.59 |
| 60 | 363.99 | D12CTB60 | 2517 | 63.50 | 44.45 | 107.95 | 21.23 | 1.59 |
| 65 | 394.30 | D12CTB65 | 2517 | 63.50 | 44.45 | 107.95 | 24.15 | 1.59 |
| 70 | 424.61 | D12CTB70 | 2517 | 63.50 | 44.45 | 107.95 | 27.06 | 1.59 |
| 75 | 454.92 | D12CTB75 | 3020 | 76.20 | 50.80 | 133.35 | 19.27 | 2.95 |
| 76 | 460.98 | D12CTB76 | 3020 | 76.20 | 50.80 | 133.35 | 19.52 | 2.95 |
| 84 | 509.48 | D12CTB84 | 3020 | 76.20 | 50.80 | 133.35 | 21.58 | 2.95 |
| 95 | 576.17 | D12CTB95 | 3020 | 76.20 | 50.80 | 133.35 | 24.40 | 2.95 |
| 96 | 582.23 | D12CTB96 | 3020 | 76.20 | 50.80 | 133.35 | 24.66 | 2.95 |
| 114 | 691.36 | D12CTB114 | 3020 | 76.20 | 50.80 | 133.35 | 29.28 | 2.95 |



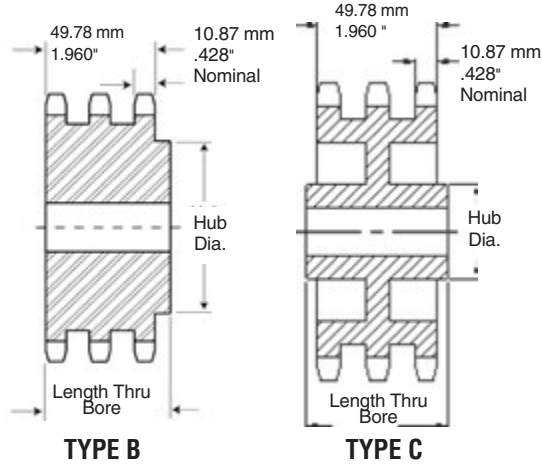
Metric Sprockets

ISO 12B-3 METRIC 60-3

0.750 INCH (19.05 mm) PITCH TRIPLEX

CHAIN DATA:

BS 228/13
ISO 12B-3
PITCH: 19.05 mm (0.750")
ROLLER DIAMETER: 12.07 mm (0.475")
ROLLER WIDTH: 11.68 mm (0.460")
TENSILE: 8,850 kilos (19,500 lbs.)



Triplex - Type B/C — Steel

| No. Teeth | Pitch Diameter MM | Catalog Number | Bore | | Hub | | Weight Approx. (kg) |
|-----------|-------------------|----------------|----------|---------|---------|---------|---------------------|
| | | | Stock MM | Max. MM | Dia. MM | Thru MM | |
| 11 | 67.62 | E12B11 | 20 | 32 | 47 | 70 | 1.13 |
| 12 | 73.60 | E12B12 | 20 | 36 | 53 | 70 | 1.50 |
| 13 | 79.60 | E12B13 | 20 | 38 | 59 | 70 | 1.77 |
| 14 | 85.61 | E12B14 | 20 | 42 | 65 | 70 | 2.04 |
| 15 | 91.63 | E12B15 | 20 | 45 | 71 | 70 | 2.45 |
| 16 | 97.65 | E12B16 | 20 | 51 | 77 | 70 | 2.95 |
| 17 | 103.67 | E12B17 | 20 | 54 | 83 | 70 | 3.49 |
| 18 | 109.70 | E12B18 | 20 | 60 | 89 | 70 | 3.86 |
| 19 | 115.74 | E12B19 | 20 | 62 | 95 | 70 | 4.54 |
| 20 | 121.78 | E12B20 | 20 | 64 | 100 | 70 | 5.08 |
| 21 | 127.82 | E12B21 | 20 | 64 | 100 | 70 | 5.67 |
| 22 | 133.86 | E12B22 | 20 | 64 | 100 | 70 | 5.99 |
| 23 | 139.90 | E12B23 | 20 | 73 | 110 | 70 | 6.62 |
| 24 | 145.95 | E12B24 | 20 | 73 | 110 | 70 | 7.17 |
| 25 | 151.99 | E12B25 | 20 | 80 | 120 | 70 | 7.71 |
| 26 | 158.04 | E12B26 | 20 | 80 | 120 | 70 | 8.44 |
| 27 | 164.09 | E12B27 | 20 | 80 | 120 | 70 | 8.99 |
| 28 | 170.14 | E12B28 | 20 | 80 | 120 | 70 | 9.49 |
| 29 | 176.19 | E12B29 | 20 | 80 | 120 | 70 | 9.99 |
| 30 | 182.25 | E12B30 | 20 | 80 | 120 | 70 | 10.53 |
| 35 | 212.52 | E12B35 | 25 | 85 | 130 | 70 | 18.95 |
| 36 | 218.57 | E12B36 | 25 | 85 | 130 | 70 | 19.49 |
| 38 | 230.69 | E12B38 | 25 | 85 | 130 | 70 | 20.57 |
| 45 | 273.10 | E12B45 | 25 | 85 | 130 | 70 | 24.36 |
| 48 | 291.27 | E12B48 | 25 | 85 | 130 | 70 | 25.98 |
| 57 | 345.81 | E12C57 | 32 | 82 | 130 | 85 | 33.73 |
| 60 | 363.99 | E12C60 | 32 | 82 | 130 | 85 | 35.51 |
| 68 | 412.49 | E12C68 | 32 | 82 | 130 | 85 | 40.24 |
| 76 | 460.98 | E12C76 | 40 | 95 | 140 | 85 | 37.19 |
| 80 | 485.23 | E12C80 | 40 | 95 | 140 | 85 | 39.15 |
| 95 | 576.17 | E12C95 | 40 | 95 | 140 | 100 | 47.63 |

Maximum bores shown will accommodate standard keyseat and setscrew over keyseat. Slightly larger bores are possible with no keyseat, shallow keyseat, or setscrew at angle to keyseat.

ISO 16B-1

METRIC 80

Metric Sprockets

CHAIN DATA:

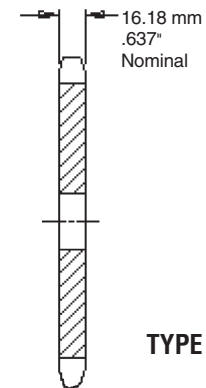
BS 228/15
 ISO 16B-1
 PITCH: 25.40 mm (1.00")
 ROLLER DIAMETER: 15.88 mm (0.625")
 ROLLER WIDTH: 17.02 mm (0.670")
 TENSILE: 4,310 kilos (9,500 lbs.)

1.00 INCH (25.40 mm) PITCH SIMPLEX

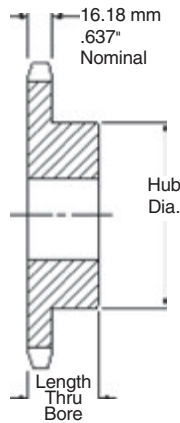
Simplex - Type B/C — Steel

Simplex - Type A — Steel

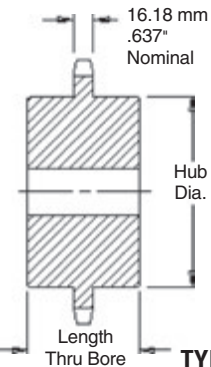
| No. Teeth | Pitch Diameter MM | Catalog Number | Bore | | Hub | | Weight Approx. (kg) | Catalog Number | Bore Stock MM | Weight Approx. (kg) |
|-----------|-------------------|----------------|----------|---------|---------|---------|---------------------|----------------|---------------|---------------------|
| | | | Stock MM | Max. MM | Dia. MM | Thru MM | | | | |
| 11 | 90.16 | 16B11 | 16 | 41 | 63 | 40 | 1.45 | 16A11 | 14 | 0.82 |
| 12 | 98.14 | 16B12 | 16 | 47 | 72 | 40 | 1.82 | 16A12 | 14 | 0.91 |
| 13 | 106.14 | 16B13 | 16 | 52 | 79 | 40 | 1.82 | 16A13 | 14 | 1.04 |
| 14 | 114.15 | 16B14 | 16 | 60 | 88 | 40 | 2.09 | 16A14 | 14 | 1.22 |
| 15 | 122.17 | 16B15 | 16 | 62 | 96 | 40 | 2.59 | 16A15 | 14 | 1.36 |
| 16 | 130.20 | 16B16 | 20 | 67 | 100 | 45 | 3.00 | 16A16 | 14 | 1.54 |
| 17 | 138.23 | 16B17 | 25 | 67 | 102 | 45 | 3.18 | 16A17 | 14 | 1.81 |
| 18 | 146.27 | 16B18 | 25 | 70 | 108 | 45 | 3.77 | 16A18 | 24 | 2.00 |
| 19 | 154.32 | 16B19 | 25 | 70 | 108 | 45 | 3.86 | 16A19 | 24 | 2.13 |
| 20 | 162.37 | 16B20 | 25 | 70 | 108 | 45 | 4.09 | 16A20 | 24 | 2.49 |
| 21 | 170.42 | 16B21 | 25 | 70 | 108 | 50 | 4.54 | 16A21 | 24 | 2.63 |
| 22 | 178.48 | 16B22 | 25 | 70 | 108 | 50 | 4.99 | 16A22 | 24 | 2.82 |
| 23 | 186.56 | 16B23 | 25 | 70 | 108 | 50 | 5.08 | 16A23 | 24 | 3.04 |
| 24 | 194.60 | 16B24 | 25 | 70 | 108 | 50 | 5.54 | 16A24 | 24 | 3.45 |
| 25 | 202.66 | 16B25 | 25 | 70 | 108 | 50 | 5.76 | 16A25 | 24 | 3.63 |
| 26 | 210.72 | 16B26 | 32 | 80 | 120 | 50 | 7.03 | 16A26 | 30 | 3.90 |
| 27 | 218.79 | 16B27 | 32 | 80 | 120 | 50 | 7.53 | 16A27 | 30 | 4.31 |
| 28 | 226.86 | 16B28 | 32 | 80 | 120 | 50 | 7.58 | 16A28 | 30 | 4.58 |
| 29 | 234.93 | 16B29 | 32 | 80 | 120 | 50 | 7.94 | 16A29 | 30 | 4.81 |
| 30 | 243.00 | 16B30 | 32 | 80 | 120 | 50 | 8.26 | 16A30 | 32 | 5.22 |
| 31 | 251.07 | 16B31 | 32 | 80 | 120 | 50 | 8.62 | 16A31 | 32 | 5.56 |
| 32 | 259.14 | 16B32 | 32 | 80 | 120 | 50 | 8.98 | 16A32 | 32 | 5.90 |
| 33 | 267.21 | 16B33 | 32 | 80 | 120 | 50 | 9.33 | 16A33 | 32 | 6.24 |
| 34 | 275.28 | 16B34 | 32 | 80 | 120 | 50 | 9.69 | 16A34 | 32 | 6.58 |
| 35 | 283.36 | 16B35 | 32 | 80 | 120 | 50 | 10.05 | 16A35 | 32 | 6.92 |
| 36 | 291.43 | 16B36 | 32 | 80 | 120 | 50 | 10.41 | 16A36 | 32 | 7.26 |
| 37 | 299.51 | 16B37 | 32 | 80 | 120 | 50 | 10.76 | 16A37 | 32 | 7.60 |
| 38 | 307.58 | 16B38 | 32 | 80 | 120 | 50 | 11.12 | 16A38 | 32 | 7.94 |
| 39 | 315.66 | 16B39 | 32 | 80 | 120 | 50 | 11.48 | 16A39 | 32 | 8.48 |
| 40 | 323.74 | 16B40 | 32 | 80 | 120 | 50 | 11.83 | 16A40 | 32 | 9.01 |
| 41 | 331.81 | 16B41 | 32 | 80 | 120 | 50 | 12.19 | 16A41 | 32 | 9.55 |
| 42 | 339.89 | 16B42 | 32 | 80 | 120 | 50 | 12.55 | 16A42 | 32 | 10.09 |
| 43 | 347.97 | 16B43 | 32 | 80 | 120 | 50 | 12.91 | 16A43 | 32 | 10.62 |
| 44 | 356.05 | 16B44 | 32 | 80 | 120 | 50 | 13.27 | 16A44 | 32 | 11.16 |
| 45 | 364.12 | 16B45 | 32 | 80 | 120 | 50 | 13.62 | 16A45 | 32 | 11.70 |
| 46 | 372.20 | 16B46 | 32 | 80 | 120 | 50 | 13.98 | 16A46 | 32 | 12.23 |
| 47 | 380.28 | 16B47 | 32 | 80 | 120 | 50 | 14.34 | 16A47 | 32 | 12.77 |
| 48 | 388.36 | 16B48 | 32 | 80 | 120 | 50 | 14.70 | 16A48 | 32 | 12.31 |
| 49 | 396.44 | 16B49 | 32 | 80 | 120 | 50 | 15.05 | 16A49 | 32 | 13.85 |
| 50 | 404.52 | 16B50 | 32 | 80 | 120 | 50 | 15.41 | 16A50 | 32 | 14.38 |
| 54 | 436.84 | 16B54 | 32 | 85 | 130 | 50 | 20.99 | 16A54 | 32 | 16.53 |
| 57 | 461.08 | 16B57 | 32 | 85 | 130 | 50 | 22.16 | 16A57 | 32 | 18.14 |
| 60 | 485.33 | 16B60 | 32 | 85 | 130 | 50 | 23.33 | 16A60 | 32 | 19.75 |
| 65 | 525.73 | 16B65 | 32 | 85 | 130 | 50 | 25.27 | 16A65 | 32 | 22.43 |
| 70 | 566.15 | 16C70 | 40 | 108 | 159 | 90 | 33.59 | 16A70 | 40 | 25.47 |
| 72 | 582.31 | 16C72 | 40 | 108 | 159 | 90 | 35.48 | 16A72 | 40 | 27.94 |
| 76 | 614.64 | 16C76 | 40 | 108 | 159 | 90 | 39.24 | 16A76 | 40 | 32.89 |
| 80 | 646.97 | 16C80 | 40 | 108 | 159 | 90 | 43.00 | 16A80 | 40 | 37.84 |
| 84 | 679.30 | 16C84 | 40 | 108 | 159 | 90 | 46.77 | 16A84 | 40 | 42.78 |
| 90 | 727.80 | 16C90 | 40 | 108 | 159 | 90 | 52.41 | 16A90 | 40 | 50.21 |
| 95 | 768.22 | 16C95 | 40 | 108 | 159 | 90 | 57.12 | 16A95 | 40 | 56.39 |
| 96 | 766.31 | 16C96 | 40 | 108 | 159 | 90 | 58.06 | 16A96 | 40 | 57.63 |
| 114 | 921.81 | 16C114 | 40 | 108 | 159 | 90 | 75.00 | 16A114 | 40 | 76.36 |



TYPE A



TYPE B



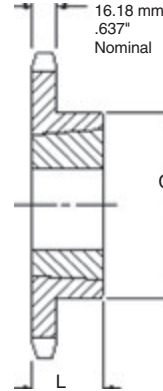
TYPE C

Maximum bores shown will accommodate standard keyseat and setscrew over keyseat. Slightly larger bores are possible with no keyseat, shallow keyseat, or setscrew at angle to keyseat.

1.00 INCH (25.40 mm) PITCH SIMPLEX

CHAIN DATA:

BS 228/15
 ISO 16B-1
 PITCH: 25.40 mm (1.00")
 ROLLER DIAMETER: 15.88 mm (0.625")
 ROLLER WIDTH: 17.02 mm (0.670")
 TENSILE: 4,310 KILOS (9,500 lbs.)



TYPE B

Simplex - Taper Bushed — Steel

| No. Teeth | Pitch Diameter MM | Catalog Number | Bushing Number | Bore Max. MM | Dimension | | Weight Approx. | |
|-----------|-------------------|----------------|----------------|--------------|-----------|--------|----------------|--------------|
| | | | | | L MM | C MM | Rim (kg) | Bushing (kg) |
| 10 | 82.20 | 16BTB10H | 1215 | 31.75 | 38.10 | 62.69 | 0.73 | 0.36 |
| 11 | 90.16 | 16BTB11H | 1215 | 31.75 | 38.10 | 62.69 | 0.91 | 0.36 |
| 12 | 98.14 | 16BTB12H | 1615 | 41.28 | 38.10 | 76.20 | 1.04 | 0.54 |
| 13 | 106.14 | 16BTB13H | 1615 | 41.28 | 38.10 | 76.20 | 1.27 | 0.54 |
| 14 | 114.15 | 16BTB14H | 1615 | 41.28 | 38.10 | 82.55 | 1.36 | 0.54 |
| 15 | 122.17 | 16BTB15H | 1615 | 41.28 | 38.10 | 82.55 | 1.45 | 0.54 |
| 16 | 130.20 | 16BTB16H | 2012 | 50.80 | 31.75 | 90.47 | 1.55 | 0.77 |
| 17 | 138.23 | 16BTB17H | 2012 | 50.80 | 31.75 | 90.47 | 1.69 | 0.77 |
| 18 | 146.27 | 16BTB18H | 2012 | 50.80 | 31.75 | 90.47 | 1.46 | 0.77 |
| 19 | 154.32 | 16BTB19H | 2012 | 50.80 | 31.75 | 90.47 | 2.14 | 0.77 |
| 20 | 162.37 | 16BTB20H | 2517 | 63.50 | 44.45 | 107.95 | 2.72 | 1.59 |
| 21 | 170.42 | 16BTB21H | 2517 | 63.50 | 44.45 | 107.95 | 2.95 | 1.59 |
| 22 | 178.48 | 16BTB22H | 2517 | 63.50 | 44.45 | 107.95 | 3.18 | 1.59 |
| 23 | 186.54 | 16BTB23H | 2517 | 63.50 | 44.45 | 107.95 | 3.40 | 1.59 |
| 24 | 194.60 | 16BTB24H | 2517 | 63.50 | 44.45 | 107.95 | 3.63 | 1.59 |
| 25 | 202.66 | 16BTB25H | 2517 | 63.50 | 44.45 | 107.95 | 3.90 | 1.59 |
| 26 | 210.72 | 16BTB26H | 2517 | 63.50 | 44.45 | 107.95 | 4.22 | 1.59 |
| 27 | 218.79 | 16BTB27H | 2517 | 63.50 | 44.45 | 107.95 | 4.31 | 1.59 |
| 28 | 226.86 | 16BTB28H | 2517 | 63.50 | 44.45 | 107.95 | 4.54 | 1.59 |
| 30 | 243.00 | 16BTB30H | 2517 | 63.50 | 44.45 | 107.95 | 5.44 | 1.59 |
| 32 | 259.14 | 16BTB32 | 2517 | 63.50 | 44.45 | 107.95 | 5.67 | 1.59 |
| 35 | 283.36 | 16BTB35 | 2517 | 63.50 | 44.45 | 107.95 | 7.12 | 1.59 |
| 36 | 291.43 | 16BTB36 | 2517 | 63.50 | 44.45 | 107.95 | 7.94 | 1.59 |
| 38 | 307.58 | 16BTB38 | 2517 | 63.50 | 44.45 | 107.95 | 8.85 | 1.59 |
| 40 | 323.74 | 16BTB40 | 2517 | 63.50 | 44.45 | 107.95 | 9.75 | 1.59 |
| 45 | 364.12 | 16BTB45 | 2517 | 63.50 | 44.45 | 107.95 | 12.25 | 1.59 |
| 48 | 388.36 | 16BTB48 | 2517 | 63.50 | 44.45 | 107.95 | 13.61 | 1.59 |
| 54 | 436.84 | 16BTB54 | 2517 | 63.50 | 44.45 | 107.95 | 17.69 | 1.59 |
| 57 | 461.07 | 16BTB57 | 2517 | 63.50 | 44.45 | 107.95 | 19.16 | 1.59 |
| 60 | 485.33 | 16BTB60 | 2517 | 63.50 | 44.45 | 107.95 | 20.64 | 1.59 |
| 64 | 517.65 | 16BTB64 | 3020 | 76.20 | 50.80 | 133.35 | 19.35 | 2.95 |
| 70 | 566.15 | 16BTB70 | 3020 | 76.20 | 50.80 | 133.35 | 23.95 | 2.95 |
| 76 | 614.64 | 16BTB76 | 3020 | 76.20 | 50.80 | 133.35 | 28.55 | 2.95 |
| 80 | 646.97 | 16BTB80 | 3020 | 76.20 | 50.80 | 133.35 | 31.62 | 2.95 |
| 84 | 679.30 | 16BTB84 | 3020 | 76.20 | 50.80 | 133.35 | 34.68 | 2.95 |
| 95 | 768.22 | 16BTB95 | 3020 | 76.20 | 50.80 | 133.35 | 41.58 | 2.95 |
| 114 | 921.81 | 16BTB114 | 3020 | 76.20 | 50.80 | 133.35 | 56.15 | 2.95 |

Sprockets with "H" suffix have hardened teeth.

ISO 16B-2

METRIC 80-2

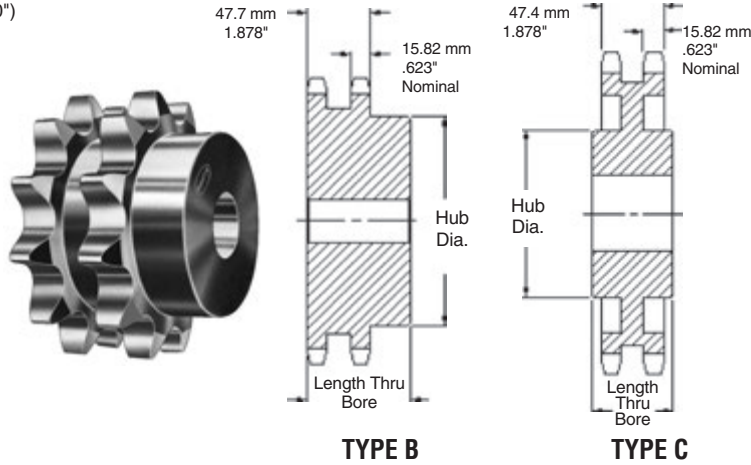
Metric Sprockets

Martin

CHAIN DATA:

BS 228/15
 ISO 16B-2
 PITCH: 25.40 mm (1.00")
 ROLLER DIAMETER: 15.88 mm (0.625")
 ROLLER WIDTH: 17.02 mm (0.670")
 TENSILE: 8,620 kilos (19,000 lbs.)

1.00 INCH (25.40 mm) PITCH DUPLEX



Duplex - Type B/C — Steel

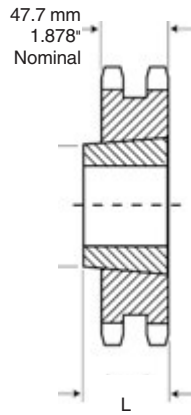
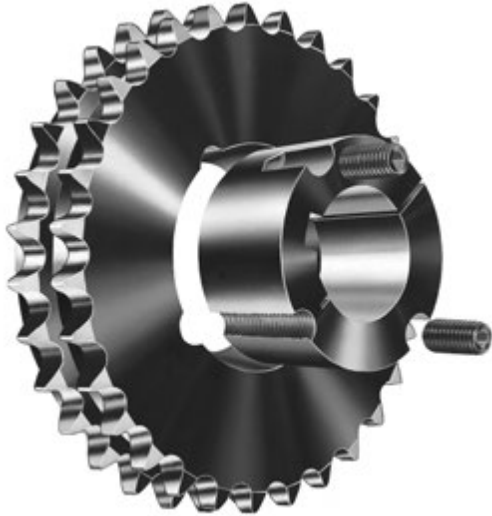
| No. Teeth | Pitch Diameter MM | Catalog Number | Bore | | Hub | | Weight Approx. (kg) |
|-----------|-------------------|----------------|----------|---------|---------|---------|---------------------|
| | | | Stock MM | Max. MM | Dia. MM | Thru MM | |
| 11 | 90.16 | D16B11 | 20 | 42 | 63 | 70 | 1.82 |
| 12 | 98.14 | D16B12 | 20 | 45 | 72 | 70 | 2.36 |
| 13 | 106.14 | D16B13 | 20 | 52 | 80 | 70 | 2.95 |
| 14 | 114.15 | D16B14 | 20 | 53 | 88 | 70 | 3.50 |
| 15 | 122.17 | D16B15 | 20 | 62 | 96 | 70 | 4.18 |
| 16 | 130.20 | D16B16 | 20 | 66 | 104 | 70 | 5.22 |
| 17 | 138.23 | D16B17 | 20 | 74 | 112 | 70 | 5.99 |
| 18 | 146.27 | D16B18 | 20 | 80 | 120 | 70 | 6.81 |
| 19 | 154.32 | D16B19 | 20 | 84 | 128 | 70 | 7.71 |
| 20 | 162.37 | D16B20 | 20 | 85 | 130 | 70 | 8.26 |
| 21 | 170.42 | D16B21 | 25 | 85 | 130 | 70 | 8.85 |
| 22 | 178.28 | D16B22 | 25 | 85 | 130 | 70 | 9.53 |
| 23 | 186.54 | D16B23 | 25 | 85 | 130 | 70 | 10.43 |
| 24 | 194.60 | D16B24 | 25 | 85 | 130 | 70 | 11.44 |
| 25 | 202.66 | D16B25 | 25 | 85 | 130 | 70 | 12.47 |
| 26 | 210.72 | D16B26 | 25 | 85 | 130 | 70 | 13.62 |
| 27 | 218.79 | D16B27 | 25 | 85 | 130 | 70 | 14.75 |
| 28 | 226.86 | D16B28 | 25 | 85 | 130 | 70 | 15.89 |
| 29 | 234.93 | D16B29 | 25 | 85 | 130 | 70 | 17.02 |
| 30 | 243.00 | D16B30 | 25 | 95 | 145 | 75 | 18.16 |
| 32 | 259.14 | D16B32 | 32 | 95 | 145 | 75 | 19.86 |
| 35 | 283.36 | D16B35 | 32 | 95 | 145 | 75 | 22.27 |
| 36 | 291.43 | D16B36 | 32 | 95 | 145 | 80 | 28.04 |
| 38 | 307.58 | D16B38 | 32 | 95 | 145 | 80 | 29.60 |
| 42 | 339.89 | D16B42 | 40 | 95 | 145 | 80 | 32.20 |
| 45 | 364.12 | D16C45 | 40 | 95 | 145 | 95 | 34.35 |
| 57 | 461.07 | D16C57 | 40 | 95 | 145 | 95 | 38.18 |
| 60 | 485.33 | D16C60 | 40 | 95 | 145 | 95 | 42.77 |
| 68 | 549.98 | D16C68 | 40 | 96 | 153 | 102 | 43.86 |
| 76 | 614.64 | D16C76 | 40 | 96 | 152 | 102 | 68.11 |
| 80 | 646.97 | D16C80 | 40 | 102 | 152 | 108 | 54.88 |
| 95 | 768.22 | D16C95 | 40 | 102 | 152 | 108 | 72.57 |
| 114 | 921.81 | D16C114 | 40 | 102 | 152 | 108 | 78.22 |

Maximum bores shown will accommodate standard keyseat and setscrew over keyseat. Slightly larger bores are possible with no keyseat, shallow keyseat, or setscrew at angle to keyseat.

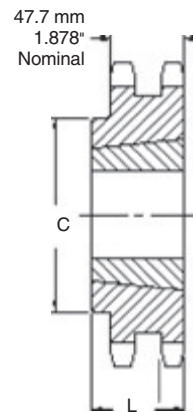
1.00 INCH (25.40 mm) PITCH DUPLEX

CHAIN DATA:

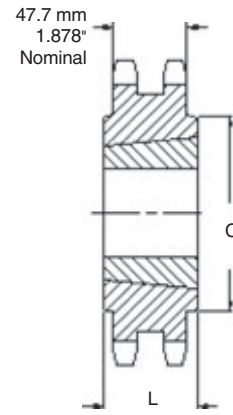
BS 228/15
 ISO 16B-2
 PITCH: 25.40 mm (1.00")
 ROLLER DIAMETER: 15.88 mm (0.625")
 ROLLER WIDTH: 17.02 mm (0.670")
 TENSILE: 8,620 kilos (19,000 lbs.)



TYPE A



TYPE B



TYPE C

Duplex - Taper Bushed — Steel

| No. Teeth | Pitch Diameter MM | Catalog Number | Bushing Number | Bore Max. MM | Dimension | | Weight Approx. | |
|-----------|-------------------|----------------|----------------|--------------|-----------|--------|----------------|--------------|
| | | | | | L MM | C MM | Rim (kg) | Bushing (kg) |
| 13 | 106.14 | D16ATB13 | 1615 | 41.28 | 38.10 | — | 1.54 | 0.77 |
| 14 | 114.15 | D16ATB14 | 2012 | 50.80 | 31.75 | — | 1.68 | 0.77 |
| 15 | 122.17 | D16ATB15 | 2012 | 50.80 | 31.75 | — | 2.04 | 0.77 |
| 16 | 130.20 | D16ATB16 | 2012 | 50.80 | 31.75 | — | 2.27 | 0.77 |
| 17 | 138.23 | D16ATB17 | 2517 | 63.50 | 44.45 | — | 2.50 | 1.59 |
| 18 | 146.27 | D16ATB18 | 2517 | 63.50 | 44.45 | — | 2.64 | 1.59 |
| 19 | 154.32 | D16BTB19 | 3020 | 76.20 | 50.80 | 127.00 | 3.18 | 2.95 |
| 20 | 162.37 | D16BTB20 | 3020 | 76.20 | 50.80 | 133.35 | 3.45 | 2.95 |
| 21 | 170.42 | D16BTB21 | 3020 | 76.20 | 50.80 | 141.28 | 4.09 | 2.95 |
| 22 | 178.48 | D16BTB22 | 3020 | 76.20 | 50.80 | 149.23 | 4.73 | 2.95 |
| 23 | 186.54 | D16BTB23 | 3020 | 76.20 | 50.80 | 158.34 | 5.48 | 2.95 |
| 24 | 194.60 | D16BTB24 | 3020 | 76.20 | 50.80 | 166.68 | 6.34 | 2.95 |
| 25 | 202.66 | D16BTB25 | 3020 | 76.20 | 50.80 | 174.63 | 7.72 | 2.95 |
| 26 | 210.72 | D16BTB26 | 3020 | 76.20 | 50.80 | 182.56 | 8.36 | 2.95 |
| 27 | 218.79 | D16BTB27 | 3020 | 76.20 | 50.80 | 133.35 | 10.22 | 2.95 |
| 28 | 226.86 | D16BTB28 | 3020 | 76.20 | 50.80 | 133.35 | 10.59 | 2.95 |
| 30 | 243.00 | D16CTB30 | 3020 | 76.20 | 50.80 | 133.35 | 11.35 | 2.95 |
| 35 | 283.36 | D16CTB35 | 3020 | 76.20 | 50.80 | 133.35 | 17.88 | 2.95 |
| 38 | 307.58 | D16CTB38 | 3020 | 76.20 | 50.80 | 133.35 | 21.79 | 2.95 |
| 42 | 339.89 | D16CTB42 | 3020 | 76.20 | 50.80 | 133.35 | 22.94 | 2.95 |
| 45 | 364.12 | D16CTB45 | 3020 | 76.20 | 50.80 | 133.35 | 23.80 | 2.95 |
| 57 | 461.08 | D16CTB57 | 3020 | 76.20 | 50.80 | 133.35 | 27.24 | 2.95 |
| 76 | 614.64 | D16CTB76 | 3020 | 76.20 | 50.80 | 133.35 | 37.68 | 2.95 |
| 95 | 768.22 | D16CTB95 | 3020 | 76.20 | 50.80 | 133.35 | 43.13 | 2.95 |
| 114 | 921.81 | D16CTB114 | 3020 | 76.20 | 50.80 | 133.35 | 48.58 | 2.95 |

Maximum bores shown will accommodate standard keyseat and setscrew over keyseat. Slightly larger bores are possible with no keyseat, shallow keyseat, or setscrew at angle to keyseat.

ISO 16B-3

METRIC 80-3

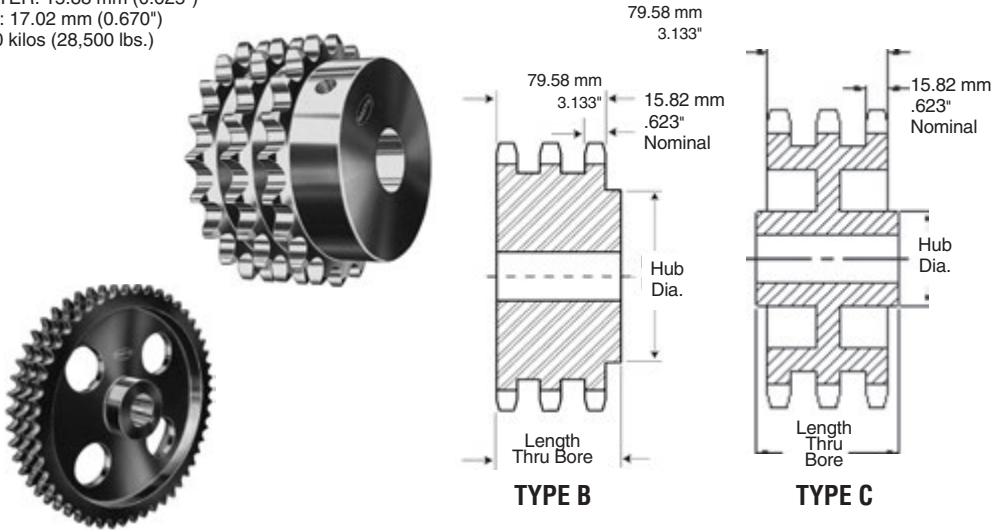
Metric Sprockets

Martin

CHAIN DATA:

BS 228/15
 ISO 16B-3
 PITCH: 25.40 mm (1.00")
 ROLLER DIAMETER: 15.88 mm (0.625")
 ROLLER WIDTH: 17.02 mm (0.670")
 TENSILE: 12,930 kilos (28,500 lbs.)

1.00 INCH (25.40 mm) PITCH TRIPLEX



Triplex - Type B/C — Steel

| No. Teeth | Pitch Diameter MM | Catalog Number | Bore | | Hub | | Weight Approx. (kg) |
|-----------|-------------------|----------------|----------|---------|---------|---------|---------------------|
| | | | Stock MM | Max. MM | Dia. MM | Thru MM | |
| 11 | 90.16 | E16B11 | 25 | 42 | 63 | 100 | 2.72 |
| 12 | 98.14 | E16B12 | 25 | 45 | 72 | 100 | 3.59 |
| 13 | 106.14 | E16B13 | 25 | 52 | 80 | 100 | 4.13 |
| 14 | 114.15 | E16B14 | 25 | 58 | 88 | 100 | 4.68 |
| 15 | 122.17 | E16B15 | 25 | 62 | 96 | 100 | 5.54 |
| 16 | 130.20 | E16B16 | 30 | 66 | 104 | 100 | 6.81 |
| 17 | 138.23 | E16B17 | 30 | 74 | 112 | 100 | 8.07 |
| 18 | 146.27 | E16B18 | 30 | 80 | 120 | 100 | 9.99 |
| 19 | 154.32 | E16B19 | 30 | 84 | 128 | 100 | 10.89 |
| 20 | 162.37 | E16B20 | 30 | 85 | 130 | 100 | 11.80 |
| 21 | 170.42 | E16B21 | 30 | 85 | 130 | 100 | 13.61 |
| 22 | 178.48 | E16B22 | 30 | 85 | 130 | 100 | 14.07 |
| 23 | 186.54 | E16B23 | 30 | 85 | 130 | 100 | 14.97 |
| 24 | 194.60 | E16B24 | 30 | 85 | 130 | 100 | 16.34 |
| 25 | 202.66 | E16B25 | 30 | 85 | 130 | 100 | 17.70 |
| 26 | 210.72 | E16B26 | 30 | 85 | 130 | 100 | 19.98 |
| 27 | 218.79 | E16B27 | 30 | 85 | 130 | 100 | 21.57 |
| 28 | 226.86 | E16B28 | 30 | 85 | 130 | 100 | 23.15 |
| 29 | 234.93 | E16B29 | 30 | 85 | 130 | 100 | 24.74 |
| 30 | 243.00 | E16B30 | 32 | 95 | 140 | 105 | 26.33 |
| 35 | 283.36 | E16B35 | 32 | 95 | 140 | 105 | 36.06 |
| 36 | 291.43 | E16B36 | 32 | 95 | 140 | 105 | 38.06 |
| 38 | 307.58 | E16C38 | 32 | 97 | 152 | 114 | 41.45 |
| 42 | 339.89 | E16C42 | 40 | 97 | 152 | 114 | 38.51 |
| 45 | 364.12 | E16C45 | 40 | 97 | 152 | 114 | 41.91 |
| 57 | 461.08 | E16C57 | 40 | 107 | 159 | 120 | 51.35 |
| 60 | 485.33 | E16C60 | 40 | 107 | 159 | 120 | 58.06 |
| 68 | 549.98 | E16C68 | 40 | 107 | 159 | 120 | 63.50 |
| 76 | 614.64 | E16C76 | 40 | 107 | 159 | 120 | 77.11 |
| 95 | 768.22 | E16C95 | 40 | 114 | 171 | 127 | 100.70 |
| 114 | 921.81 | E16C114 | 40 | 114 | 171 | 127 | 120.84 |

Maximum bores shown will accommodate standard keyseat and setscrew over keyseat. Slightly larger bores are possible with no keyseat, shallow keyseat, or setscrew at angle to keyseat.

Martin

Metric Sprockets

ISO 20B-1

METRIC 100

1.25 INCH (31.75 mm) PITCH **SIMPLEX**

CHAIN DATA:

BS 228/17

ISO 20B-1

PITCH: 31.75 mm (1.250")

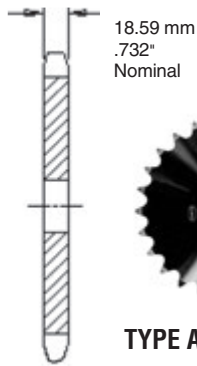
ROLLER DIAMETER: 19.05 mm (0.750")

ROLLER WIDTH: 19.56 mm (0.770")

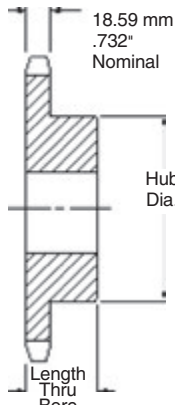
TENSILE: 6,580 kilos (14,500 lbs.)

Simplex - Type B/C — Steel

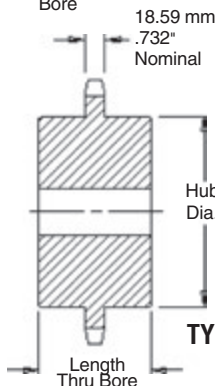
Simplex - Type A — Steel



TYPE A



TYPE B



TYPE C

| No. Teeth | Pitch Diameter MM | Catalog Number | Bore | | Hub | | Weight Approx. (kg) | Catalog Number | Bore Stock MM | Weight Approx. (kg) |
|-----------|-------------------|----------------|----------|---------|---------|---------|---------------------|----------------|---------------|---------------------|
| | | | Stock MM | Max. MM | Dia. MM | Thru MM | | | | |
| 8 | 82.97 | 20B8 | 25 | 57 | 48 | 48 | 1.04 | 20A8 | 25 | 0.63 |
| 9 | 92.83 | 20B9 | 25 | 57 | 58 | 48 | 1.45 | 20A9 | 25 | 0.95 |
| 10 | 102.75 | 20B10 | 25 | 60 | 69 | 48 | 1.86 | 20A10 | 25 | 1.27 |
| 11 | 112.70 | 20B11 | 25 | 70 | 79 | 48 | 2.40 | 20A11 | 25 | 1.59 |
| 12 | 122.67 | 20B12 | 25 | 76 | 90 | 48 | 2.95 | 20A12 | 25 | 1.91 |
| 13 | 132.67 | 20B13 | 25 | 76 | 98 | 41 | 3.00 | 20A13 | 25 | 2.18 |
| 14 | 142.68 | 20B14 | 25 | 76 | 106 | 41 | 3.40 | 20A14 | 25 | 2.49 |
| 15 | 152.71 | 20B15 | 25 | 76 | 114 | 44 | 4.31 | 20A15 | 25 | 2.68 |
| 16 | 162.75 | 20B16 | 25 | 76 | 114 | 44 | 4.63 | 20A16 | 24 | 3.08 |
| 17 | 172.79 | 20B17 | 32 | 76 | 114 | 44 | 4.99 | 20A17 | 24 | 3.54 |
| 18 | 182.84 | 20B18 | 32 | 76 | 114 | 44 | 5.44 | 20A18 | 30 | 3.81 |
| 19 | 192.90 | 20B19 | 32 | 76 | 114 | 51 | 5.90 | 20A19 | 30 | 4.31 |
| 20 | 202.96 | 20B20 | 32 | 76 | 114 | 51 | 6.35 | 20A20 | 30 | 4.58 |
| 21 | 213.03 | 20B21 | 32 | 76 | 114 | 51 | 7.03 | 20A21 | 32 | 5.17 |
| 22 | 223.10 | 20B22 | 32 | 76 | 114 | 51 | 7.71 | 20A22 | 32 | 5.72 |
| 23 | 233.17 | 20B23 | 32 | 84 | 114 | 51 | 8.16 | 20A23 | 32 | 5.99 |
| 24 | 243.25 | 20B24 | 32 | 84 | 114 | 51 | 8.62 | 20A24 | 32 | 6.62 |
| 25 | 253.32 | 20B25 | 32 | 84 | 114 | 51 | 9.07 | 20A25 | 32 | 6.94 |
| 26 | 263.41 | 20B26 | 32 | 84 | 127 | 51 | 9.53 | 20A26 | 32 | 7.62 |
| 27 | 273.49 | 20B27 | 32 | 84 | 127 | 51 | 10.43 | 20A27 | 32 | 8.35 |
| 28 | 283.57 | 20B28 | 32 | 84 | 127 | 51 | 11.34 | 20A28 | 32 | 8.85 |
| 29 | 293.66 | 20B29 | 32 | 84 | 127 | 51 | 11.76 | 20A29 | 32 | 9.43 |
| 30 | 303.75 | 20B30 | 32 | 84 | 127 | 51 | 12.02 | 20A30 | 32 | 9.98 |
| 31 | 313.83 | 20B31 | 32 | 84 | 127 | 51 | 12.77 | 20A31 | 32 | 10.73 |
| 32 | 323.92 | 20B32 | 32 | 84 | 127 | 51 | 13.52 | 20A32 | 32 | 11.49 |
| 33 | 334.01 | 20B33 | 32 | 84 | 127 | 51 | 14.59 | 20A33 | 32 | 12.24 |
| 34 | 344.10 | 20B34 | 32 | 84 | 127 | 51 | 15.66 | 20A34 | 32 | 13.00 |
| 35 | 354.20 | 20B35 | 32 | 84 | 127 | 64 | 16.74 | 20A35 | 32 | 13.75 |
| 36 | 364.29 | 20B36 | 32 | 84 | 127 | 64 | 17.51 | 20A36 | 32 | 14.50 |
| 37 | 374.38 | 20B37 | 32 | 84 | 127 | 64 | 18.17 | 20A37 | 32 | 15.25 |
| 38 | 384.48 | 20B38 | 32 | 84 | 127 | 64 | 18.82 | 20A38 | 32 | 16.01 |
| 39 | 394.57 | 20B39 | 32 | 84 | 127 | 64 | 19.78 | 20A39 | 32 | 16.76 |
| 40 | 404.67 | 20B40 | 32 | 84 | 127 | 64 | 21.27 | 20A40 | 32 | 17.52 |
| 41 | 414.77 | 20B41 | 32 | 84 | 127 | 64 | 22.07 | 20A41 | 32 | 18.27 |
| 42 | 424.88 | 20B42 | 32 | 84 | 127 | 64 | 22.86 | 20A42 | 32 | 19.03 |
| 43 | 434.96 | 20B43 | 32 | 84 | 127 | 64 | 23.40 | 20A43 | 32 | 19.78 |
| 44 | 445.06 | 20B44 | 32 | 84 | 127 | 64 | 23.95 | 20A44 | 32 | 20.53 |
| 45 | 455.15 | 20B45 | 32 | 84 | 127 | 64 | 24.49 | 20A45 | 32 | 21.29 |
| 46 | 465.25 | 20B46 | 32 | 84 | 127 | 64 | 26.31 | 20A46 | 32 | 22.04 |
| 47 | 475.35 | 20B47 | 32 | 84 | 127 | 64 | 28.12 | 20A47 | 32 | 22.79 |
| 48 | 485.45 | 20B48 | 40 | 102 | 152 | 64 | 29.94 | 20A48 | 32 | 23.55 |
| 49 | 495.55 | 20B49 | 40 | 102 | 152 | 64 | 31.76 | 20A49 | 32 | 24.30 |
| 50 | 505.65 | 20B50 | 40 | 102 | 152 | 64 | 33.57 | 20A50 | 32 | 25.06 |
| 51 | 515.75 | 20B51 | 40 | 102 | 152 | 64 | 35.39 | 20A51 | 40 | 24.43 |
| 52 | 525.85 | 20B52 | 40 | 102 | 152 | 64 | 37.21 | 20A52 | 40 | 25.85 |
| 53 | 535.95 | 20B53 | 40 | 102 | 152 | 82 | 39.02 | 20A53 | 40 | 27.27 |
| 54 | 546.05 | 20C54 | 40 | 102 | 152 | 82 | 32.90 | 20A54 | 40 | 25.70 |
| 55 | 556.15 | 20C55 | 40 | 102 | 152 | 82 | 34.77 | 20A55 | 40 | 30.12 |
| 56 | 566.25 | 20C56 | 40 | 102 | 152 | 82 | 36.63 | 20A56 | 40 | 31.34 |
| 57 | 576.35 | 20C57 | 40 | 102 | 152 | 82 | 38.50 | 20A57 | 40 | 32.96 |
| 58 | 586.45 | 20C58 | 40 | 102 | 152 | 82 | 40.37 | 20A58 | 40 | 35.80 |
| 59 | 596.56 | 20C59 | 40 | 102 | 152 | 82 | 42.24 | 20A59 | 40 | 37.22 |
| 60 | 606.66 | 20C60 | 40 | 102 | 152 | 82 | 44.10 | 20A60 | 40 | 38.64 |
| 70 | 707.68 | 20C70 | 40 | 133 | 178 | 95 | 65.36 | 20A70 | 40 | 52.85 |
| 72 | 727.89 | 20C72 | 40 | 133 | 178 | 95 | 67.23 | 20A72 | 40 | 55.70 |
| 76 | 768.30 | 20C76 | 40 | 133 | 178 | 95 | 70.98 | 20A76 | 40 | 61.38 |
| 80 | 808.71 | 20C80 | 40 | 133 | 178 | 95 | 74.70 | 20A80 | 40 | 67.06 |
| 84 | 849.13 | 20C84 | 40 | 133 | 178 | 95 | 78.43 | 20A84 | 40 | 72.75 |
| 90 | 909.76 | 20C90 | 40 | 133 | 178 | 95 | 84.03 | 20A90 | 40 | 81.27 |
| 95 | 960.28 | 20C95 | 40 | 133 | 178 | 114 | 117.18 | 20A95 | 40 | 102.42 |
| 96 | 970.38 | 20C96 | 40 | 133 | 178 | 114 | 117.56 | 20A96 | 40 | 103.84 |
| 114 | 1152.27 | 20C114 | 40 | 133 | 178 | 114 | 124.40 | 20A114 | 40 | 130.84 |

Maximum bores shown will accommodate standard keyseat and setscrew over keyseat. Slightly larger bores are possible with no keyseat, shallow keyseat, or setscrew at angle to keyseat.

ISO 20B-1

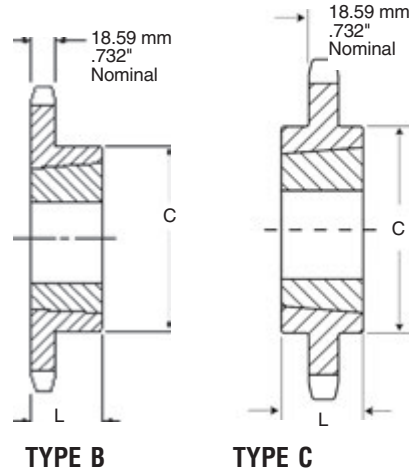
METRIC 100

Metric Sprockets

CHAIN DATA:

BS 228/17
 ISO 20B1
 PITCH: 31.75 mm (1.250")
 ROLLER DIAMETER: 19.05 mm (0.750")
 ROLLER WIDTH: 19.56 mm (0.770")
 TENSILE: 6,580 kilos (14,500 lbs.)

1.25 INCH (31.75 mm) PITCH SIMPLEX



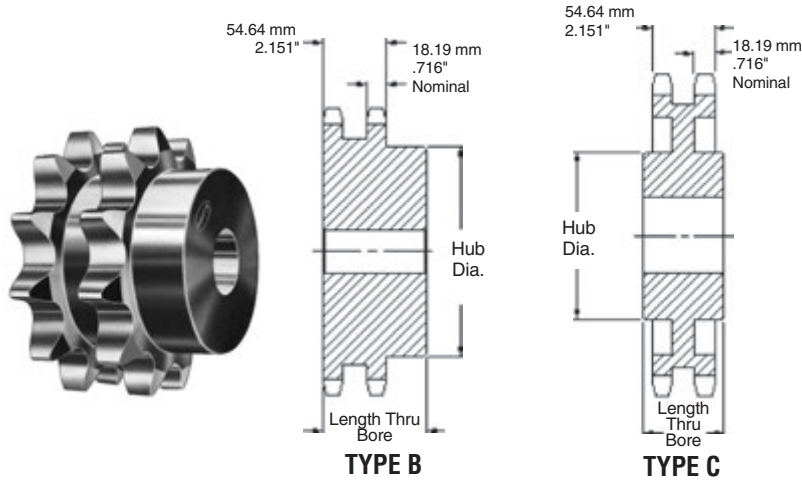
Simplex - Taper Bushed — Steel

| No. Teeth | Pitch Diameter MM | Catalog Number | Bushing Number | Bore Max. MM | Dimension | | Weight Approx. | |
|-----------|-------------------|----------------|----------------|--------------|-----------|--------|----------------|--------------|
| | | | | | L MM | C MM | Rim (kg) | Bushing (kg) |
| 11 | 112.70 | 20BTB11H | 1615 | 41.28 | 38.10 | 62.69 | 1.22 | 0.54 |
| 12 | 122.67 | 20BTB12H | 1615 | 41.28 | 38.10 | 70.64 | 1.41 | 0.54 |
| 13 | 132.67 | 20BTB13H | 2012 | 50.80 | 31.75 | 90.47 | 1.45 | 0.77 |
| 14 | 142.68 | 20BTB14H | 2012 | 50.80 | 31.75 | 90.47 | 1.63 | 0.77 |
| 15 | 152.71 | 20BTB15H | 2517 | 63.50 | 44.45 | 107.95 | 2.31 | 1.59 |
| 16 | 162.75 | 20BTB16H | 2517 | 63.50 | 44.45 | 107.95 | 2.72 | 1.59 |
| 17 | 172.79 | 20BTB17H | 2517 | 63.50 | 44.45 | 107.95 | 3.27 | 1.59 |
| 18 | 182.84 | 20BTB18H | 2517 | 63.50 | 44.45 | 107.95 | 3.63 | 1.59 |
| 19 | 192.90 | 20BTB19H | 2517 | 63.50 | 44.45 | 107.95 | 4.09 | 1.59 |
| 20 | 202.96 | 20BTB20H | 2517 | 63.50 | 44.45 | 107.95 | 4.40 | 1.59 |
| 21 | 213.03 | 20BTB21H | 2517 | 63.50 | 44.45 | 107.95 | 4.54 | 1.59 |
| 22 | 223.10 | 20BTB22H | 2517 | 63.50 | 44.45 | 107.95 | 4.77 | 1.59 |
| 23 | 233.17 | 20BTB23H | 2517 | 63.50 | 44.45 | 107.95 | 5.58 | 1.59 |
| 24 | 243.25 | 20BTB24H | 2517 | 63.50 | 44.45 | 107.95 | 6.13 | 1.59 |
| 25 | 253.32 | 20BTB25H | 2517 | 63.50 | 44.45 | 107.95 | 6.95 | 1.59 |
| 26 | 263.41 | 20BTB26H | 2517 | 63.50 | 44.45 | 107.95 | 7.35 | 1.59 |
| 28 | 283.57 | 20BTB28H | 3020 | 76.20 | 50.80 | 133.35 | 7.90 | 2.95 |
| 30 | 303.75 | 20BTB30H | 3020 | 76.20 | 50.80 | 133.35 | 9.62 | 2.95 |
| 32 | 323.92 | 20BTB32 | 3020 | 76.20 | 50.80 | 133.35 | 11.03 | 2.95 |
| 35 | 354.20 | 20BTB35 | 3020 | 76.20 | 50.80 | 133.35 | 13.15 | 2.95 |
| 36 | 364.29 | 20BTB36 | 3020 | 76.20 | 50.80 | 133.35 | 13.86 | 2.95 |
| 38 | 384.48 | 20BTB38 | 3020 | 76.20 | 50.80 | 133.35 | 15.98 | 2.95 |
| 40 | 404.67 | 20BTB40 | 3020 | 76.20 | 50.80 | 133.35 | 19.43 | 2.95 |
| 45 | 455.15 | 20BTB45 | 3020 | 76.20 | 50.80 | 133.35 | 25.18 | 2.95 |
| 48 | 485.45 | 20BTB48 | 3020 | 76.20 | 50.80 | 133.35 | 28.62 | 2.95 |
| 54 | 546.05 | 20BTB54 | 3020 | 76.20 | 50.80 | 133.35 | 35.52 | 2.95 |
| 57 | 576.35 | 20BTB57 | 3020 | 76.20 | 50.80 | 133.35 | 37.82 | 2.95 |
| 60 | 606.66 | 20BTB60 | 3020 | 76.20 | 50.80 | 133.35 | 41.27 | 2.95 |
| 70 | 707.68 | 20CTB70 | 3535 | 88.90 | 88.90 | 171.45 | 51.56 | 6.35 |
| 72 | 727.89 | 20CTB72 | 3535 | 88.90 | 88.90 | 171.45 | 53.97 | 6.35 |
| 76 | 768.30 | 20CTB76 | 3535 | 88.90 | 88.90 | 171.45 | 60.33 | 6.35 |
| 80 | 808.71 | 20CTB80 | 3535 | 88.90 | 88.90 | 171.45 | 66.23 | 6.35 |
| 84 | 849.13 | 20CTB84 | 3535 | 88.90 | 88.90 | 171.45 | 73.48 | 6.35 |
| 90 | 909.76 | 20CTB90 | 3535 | 88.90 | 88.90 | 171.45 | 94.33 | 6.35 |
| 95 | 960.28 | 20CTB95 | 3535 | 88.90 | 88.90 | 171.45 | 96.16 | 6.35 |

Sprockets with "H" suffix have hardened teeth.

1.25 INCH (31.75 mm) PITCH DUPLEX

CHAIN DATA:
 BS 228/17
 ISO 20B-2
 PITCH: 31.75 mm (1.250")
 ROLLER DIAMETER: 19.05 mm (0.750")
 ROLLER WIDTH: 19.56 mm (0.770")
 TENSILE: 13,160 kilos (29,000 lbs.)



Duplex - Type B/C — Steel

| No. Teeth | Pitch Diameter MM | Catalog Number | Bore | | Hub | | Weight Approx. (kg) |
|-----------|-------------------|----------------|----------|---------|---------|---------|---------------------|
| | | | Stock MM | Max. MM | Dia. MM | Thru MM | |
| 10 | 102.75 | D20B10 | 20 | 45 | 69 | 75 | 2.90 |
| 11 | 112.70 | D20B11 | 20 | 52 | 79 | 80 | 3.67 |
| 12 | 122.67 | D20B12 | 20 | 60 | 90 | 80 | 4.31 |
| 13 | 132.67 | D20B13 | 20 | 64 | 100 | 80 | 5.53 |
| 14 | 142.68 | D20B14 | 20 | 73 | 110 | 80 | 6.62 |
| 15 | 152.71 | D20B15 | 20 | 80 | 120 | 80 | 7.76 |
| 16 | 162.75 | D20B16 | 25 | 80 | 120 | 80 | 9.12 |
| 17 | 172.79 | D20B17 | 25 | 80 | 120 | 80 | 10.44 |
| 18 | 182.84 | D20B18 | 25 | 80 | 120 | 80 | 11.71 |
| 19 | 192.90 | D20B19 | 25 | 80 | 120 | 80 | 12.92 |
| 20 | 202.96 | D20B20 | 25 | 80 | 120 | 80 | 15.43 |
| 21 | 213.03 | D20B21 | 25 | 92 | 140 | 80 | 16.55 |
| 22 | 223.10 | D20B22 | 25 | 92 | 140 | 80 | 17.70 |
| 23 | 233.17 | D20B23 | 25 | 92 | 140 | 80 | 19.05 |
| 24 | 243.25 | D20B24 | 32 | 96 | 145 | 80 | 20.43 |
| 25 | 253.32 | D20B25 | 32 | 96 | 145 | 80 | 21.77 |
| 26 | 263.41 | D20B26 | 32 | 96 | 145 | 80 | 23.15 |
| 27 | 273.49 | D20B27 | 32 | 96 | 145 | 80 | 24.97 |
| 28 | 283.57 | D20B28 | 32 | 96 | 145 | 80 | 26.78 |
| 30 | 303.75 | D20B30 | 32 | 96 | 145 | 80 | 30.41 |
| 32 | 323.92 | D20B32 | 32 | 96 | 145 | 80 | 32.22 |
| 35 | 354.20 | D20C35 | 32 | 100 | 152 | 108 | 34.02 |
| 36 | 364.29 | D20C36 | 32 | 100 | 152 | 108 | 34.70 |
| 38 | 384.48 | D20C38 | 32 | 100 | 152 | 114 | 43.72 |
| 42 | 424.86 | D20C42 | 40 | 100 | 152 | 114 | 43.55 |
| 45 | 455.15 | D20C45 | 40 | 100 | 152 | 114 | 46.72 |
| 57 | 576.35 | D20C57 | 40 | 100 | 191 | 127 | 64.10 |
| 60 | 606.66 | D20C60 | 40 | 125 | 191 | 127 | 79.38 |
| 68 | 687.48 | D20C68 | 40 | 125 | 191 | 127 | 87.74 |
| 76 | 768.30 | D20C76 | 40 | 125 | 191 | 127 | 96.11 |
| 80 | 808.71 | D20C80 | 40 | 125 | 191 | 127 | 100.30 |
| 95 | 960.28 | D20C95 | 40 | 125 | 191 | 127 | 115.98 |
| 114 | 1152.26 | D20C114 | 40 | 125 | 191 | 127 | 135.85 |

Maximum bores shown will accommodate standard keyseat and setscrew over keyseat. Slightly larger bores are possible with no keyseat, shallow keyseat, or setscrew at angle to keyseat.

ISO 20B-3

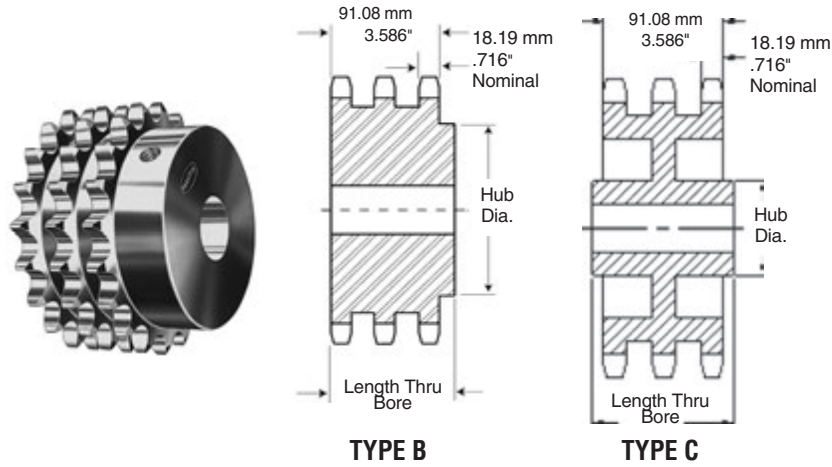
METRIC 100-3

Metric Sprockets

CHAIN DATA:

BS 228/17
 ISO 20B-3
 PITCH: 31.75 mm (1.250")
 ROLLER DIAMETER: 19.05 mm (0.750")
 ROLLER WIDTH: 19.56 mm (0.770")
 TENSILE: 19,740 kilos (43,500 lbs.)

1.25 INCH (31.75 mm) PITCH TRIPLEX



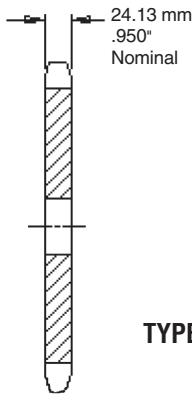
Triplex - Type B/C — Steel

| No. Teeth | Pitch Diameter MM | Catalog Number | Bore | | Hub | | Weight Approx. (kg) |
|-----------|-------------------|----------------|----------|---------|---------|---------|---------------------|
| | | | Stock MM | Max. MM | Dia. MM | Thru MM | |
| 10 | 102.75 | E20B10 | 25 | 47 | 69 | 110 | 3.95 |
| 11 | 112.70 | E20B11 | 25 | 52 | 79 | 115 | 5.26 |
| 12 | 122.67 | E20B12 | 25 | 60 | 90 | 115 | 6.21 |
| 13 | 132.67 | E20B13 | 25 | 64 | 100 | 115 | 9.26 |
| 14 | 142.68 | E20B14 | 25 | 73 | 110 | 115 | 9.76 |
| 15 | 152.71 | E20B15 | 25 | 80 | 120 | 115 | 10.81 |
| 16 | 162.75 | E20B16 | 25 | 80 | 120 | 115 | 12.76 |
| 17 | 172.79 | E20B17 | 25 | 80 | 120 | 115 | 14.76 |
| 18 | 182.84 | E20B18 | 25 | 80 | 120 | 115 | 16.71 |
| 19 | 192.90 | E20B19 | 25 | 80 | 120 | 115 | 19.13 |
| 20 | 202.96 | E20B20 | 25 | 80 | 120 | 115 | 21.57 |
| 21 | 213.03 | E20B21 | 25 | 92 | 140 | 115 | 23.36 |
| 22 | 223.10 | E20B22 | 25 | 92 | 140 | 115 | 25.65 |
| 23 | 233.17 | E20B23 | 25 | 92 | 140 | 115 | 27.90 |
| 24 | 243.25 | E20B24 | 32 | 95 | 145 | 120 | 27.19 |
| 25 | 253.32 | E20B25 | 32 | 95 | 145 | 120 | 27.90 |
| 26 | 263.41 | E20B26 | 32 | 95 | 145 | 120 | 31.90 |
| 27 | 273.49 | E20B27 | 32 | 95 | 145 | 120 | 35.90 |
| 28 | 283.57 | E20B28 | 32 | 95 | 145 | 120 | 39.90 |
| 30 | 303.75 | E20B30 | 32 | 95 | 145 | 120 | 47.90 |
| 32 | 323.92 | E20B32 | 32 | 95 | 145 | 127 | 51.57 |
| 35 | 354.20 | E20C35 | 32 | 97 | 152 | 127 | 57.29 |
| 36 | 364.29 | E20C36 | 32 | 97 | 152 | 127 | 59.35 |
| 38 | 384.48 | E20C38 | 40 | 97 | 152 | 127 | 62.56 |
| 42 | 424.86 | E20C42 | 40 | 97 | 152 | 127 | 70.12 |
| 45 | 455.15 | E20C45 | 40 | 97 | 152 | 127 | 75.84 |
| 57 | 576.35 | E20C57 | 40 | 102 | 191 | 127 | 100.11 |
| 60 | 606.66 | E20C60 | 40 | 102 | 191 | 127 | 104.86 |
| 68 | 687.48 | E20C68 | 40 | 102 | 191 | 127 | 117.54 |
| 76 | 768.30 | E20C76 | 40 | 102 | 191 | 127 | 130.21 |
| 80 | 808.71 | E20C80 | 40 | 102 | 191 | 127 | 136.55 |
| 95 | 960.28 | E20C95 | 40 | 102 | 191 | 127 | 160.31 |
| 114 | 1152.27 | E20C114 | 40 | 102 | 191 | 127 | 190.41 |

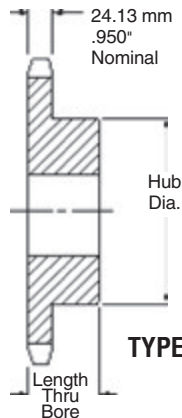
Maximum bores shown will accommodate standard keyseat and setscrew over keyseat. Slightly larger bores are possible with no keyseat, shallow keyseat, or setscrew at angle to keyseat.

1.50 INCH (38.10 mm) PITCH SIMPLEX

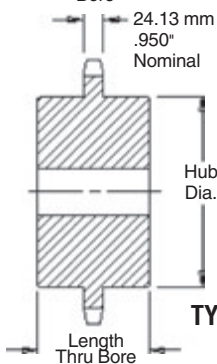
CHAIN DATA:
 BS 228/18
 ISO 24B-1
 PITCH: 38.10 mm (1.50")
 ROLLER DIAMETER: 25.40 mm (1.00")
 ROLLER WIDTH: 25.40 mm (1.00")
 TENSILE: 9,980 kilos (22,000 lbs.)



TYPE A



TYPE B



TYPE C

Simplex - Type B/C — Steel

| No. Teeth | Pitch Diameter MM | Catalog Number | Bore | | Hub | | Weight Approx. (kg) | Catalog Number | Bore Stock MM | Weight Approx. (kg) |
|-----------|-------------------|----------------|----------|---------|---------|---------|---------------------|----------------|---------------|---------------------|
| | | | Stock MM | Max. MM | Dia. MM | Thru MM | | | | |
| 9 | 111.40 | 24B9 | 20 | 45 | 69 | 45 | 2.02 | 24A9 | 20 | 1.69 |
| 10 | 123.29 | 24B10 | 20 | 52 | 80 | 45 | 2.61 | 24A10 | 20 | 1.88 |
| 11 | 135.23 | 24B11 | 25 | 60 | 90 | 50 | 3.77 | 24A11 | 20 | 2.06 |
| 12 | 147.21 | 24B12 | 25 | 67 | 102 | 50 | 4.77 | 24A12 | 20 | 2.68 |
| 13 | 159.20 | 24B13 | 25 | 76 | 114 | 50 | 5.91 | 24A13 | 20 | 3.06 |
| 14 | 171.22 | 24B14 | 32 | 86 | 127 | 60 | 6.68 | 24A14 | 32 | 3.72 |
| 15 | 183.25 | 24B15 | 32 | 92 | 140 | 60 | 7.49 | 24A15 | 32 | 4.31 |
| 16 | 195.29 | 24B16 | 32 | 92 | 140 | 60 | 9.08 | 24A16 | 32 | 4.86 |
| 17 | 207.35 | 24B17 | 32 | 92 | 140 | 60 | 9.76 | 24A17 | 32 | 5.44 |
| 18 | 219.41 | 24B18 | 32 | 92 | 140 | 60 | 10.49 | 24A18 | 32 | 6.13 |
| 19 | 231.48 | 24B19 | 32 | 92 | 140 | 60 | 11.21 | 24A19 | 32 | 7.03 |
| 20 | 243.55 | 24B20 | 32 | 92 | 140 | 60 | 12.26 | 24A20 | 32 | 7.94 |
| 21 | 255.63 | 24B21 | 32 | 92 | 140 | 60 | 13.38 | 24A21 | 32 | 8.62 |
| 22 | 267.72 | 24B22 | 32 | 92 | 140 | 60 | 13.67 | 24A22 | 32 | 9.76 |
| 23 | 179.80 | 24B23 | 32 | 92 | 140 | 60 | 14.74 | 24A23 | 32 | 10.43 |
| 24 | 291.90 | 24B24 | 32 | 92 | 140 | 60 | 15.48 | 24A24 | 32 | 11.35 |
| 25 | 303.99 | 24B25 | 32 | 92 | 140 | 60 | 16.38 | 24A25 | 32 | 12.47 |
| 26 | 316.09 | 24B26 | 40 | 102 | 150 | 65 | 19.43 | 24A26 | 40 | 13.39 |
| 27 | 328.19 | 24B27 | 40 | 102 | 150 | 65 | 20.39 | 24A27 | 40 | 14.53 |
| 28 | 340.29 | 24B28 | 40 | 102 | 150 | 65 | 21.34 | 24A28 | 40 | 15.89 |
| 29 | 352.39 | 24B29 | 40 | 102 | 150 | 65 | 22.79 | 24A29 | 40 | 17.02 |
| 30 | 364.49 | 24B30 | 40 | 102 | 150 | 65 | 24.25 | 24A30 | 40 | 18.39 |
| 31 | 376.60 | 24B31 | 40 | 102 | 150 | 65 | 26.19 | 24A31 | 40 | 20.02 |
| 32 | 388.71 | 24B32 | 40 | 102 | 150 | 65 | 28.12 | 24A32 | 40 | 21.66 |
| 33 | 400.82 | 24B33 | 40 | 102 | 150 | 65 | 30.05 | 24A33 | 40 | 23.29 |
| 34 | 412.93 | 24B34 | 40 | 102 | 150 | 65 | 31.99 | 24A34 | 40 | 24.93 |
| 35 | 425.04 | 24B35 | 40 | 102 | 150 | 65 | 33.93 | 24A35 | 40 | 26.56 |
| 36 | 437.15 | 24B36 | 40 | 102 | 152 | 65 | 35.86 | 24A36 | 40 | 28.19 |
| 38 | 461.37 | 24B38 | 40 | 102 | 152 | 65 | 39.73 | 24A38 | 40 | 31.46 |
| 42 | 509.83 | 24C42 | 40 | 102 | 152 | 95 | 45.31 | 24A42 | 40 | 40.99 |
| 45 | 546.19 | 24C45 | 40 | 102 | 152 | 95 | 50.71 | 24A45 | 40 | 48.14 |
| 48 | 482.54 | 24C48 | 40 | 102 | 152 | 102 | 57.43 | 24A48 | 40 | 55.29 |
| 57 | 691.62 | 24C57 | 40 | 133 | 178 | 102 | 76.05 | 24A57 | 40 | 76.73 |
| 60 | 727.99 | 24C60 | 40 | 133 | 178 | 102 | 80.05 | 24A60 | 40 | 85.19 |
| 76 | 922.00 | 24C76 | 40 | 133 | 191 | 114 | 129.00 | 24A76 | 40 | 116.00 |

Maximum bores shown will accommodate standard keyseat and setscrew over keyseat. Slightly larger bores are possible with no keyseat, shallow keyseat, or setscrew at angle to keyseat.

ISO 24B-1

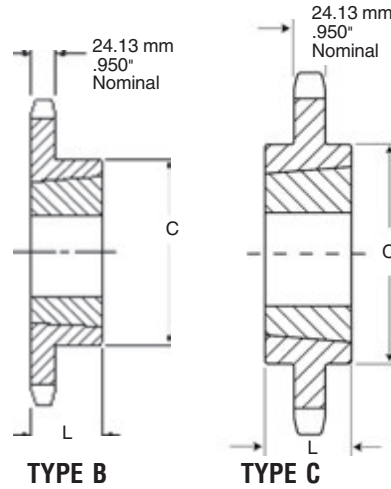
METRIC 120

Metric Sprockets

CHAIN DATA:

BS 228/18
 ISO 24B-1
 PITCH: 38.10 mm (1.50")
 ROLLER DIAMETER: 25.40 mm (1.00")
 ROLLER WIDTH: 25.40 mm (1.00")
 TENSILE: 9,980 kilos (22,000 lbs.)

1.50 INCH (38.10 mm) PITCH SIMPLEX



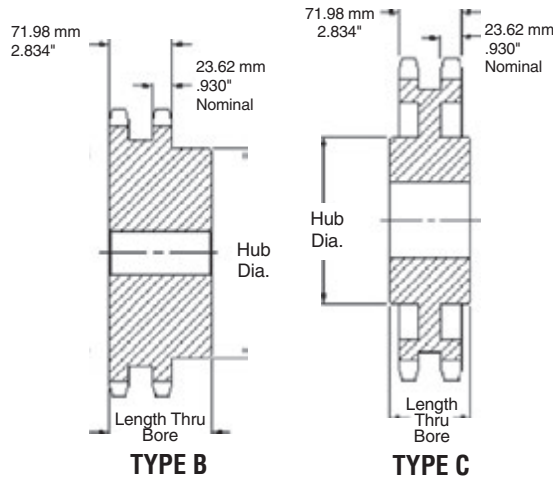
Simplex - Taper Bushed — Steel

| No. Teeth | Pitch Diameter MM | Catalog Number | Bushing Number | Bore Max. MM | Dimension | | Weight Approx. | |
|-----------|-------------------|----------------|----------------|--------------|-----------|--------|----------------|--------------|
| | | | | | L MM | C MM | Rim (kg) | Bushing (kg) |
| 11 | 135.23 | 24BTB11H | 2012 | 50.80 | 31.75 | 90.49 | 2.28 | 0.77 |
| 12 | 147.21 | 24BTB12H | 2012 | 50.80 | 31.75 | 90.49 | 2.49 | 0.77 |
| 13 | 159.20 | 24BTB13H | 2517 | 63.50 | 44.45 | 107.95 | 2.77 | 1.59 |
| 14 | 171.22 | 24BTB14H | 2517 | 63.50 | 44.45 | 107.95 | 3.54 | 1.59 |
| 15 | 183.25 | 24BTB15H | 2517 | 63.50 | 44.45 | 107.95 | 4.31 | 1.59 |
| 16 | 195.29 | 24BTB16H | 3020 | 76.20 | 50.80 | 133.35 | 4.77 | 2.95 |
| 17 | 207.35 | 24BTB17H | 3020 | 76.20 | 50.80 | 133.35 | 5.45 | 2.95 |
| 18 | 219.41 | 24BTB18H | 3020 | 76.20 | 50.80 | 133.35 | 6.13 | 2.95 |
| 19 | 231.48 | 24BTB19H | 3020 | 76.20 | 50.80 | 133.35 | 6.81 | 2.95 |
| 20 | 243.55 | 24BTB20H | 3020 | 76.20 | 50.80 | 133.35 | 7.49 | 2.95 |
| 21 | 255.63 | 24BTB21H | 3020 | 76.20 | 50.80 | 133.35 | 7.94 | 2.95 |
| 22 | 267.72 | 24BTB22H | 3020 | 76.20 | 50.80 | 133.35 | 8.75 | 2.95 |
| 23 | 279.80 | 24BTB23H | 3020 | 76.20 | 50.80 | 133.35 | 9.53 | 2.95 |
| 24 | 291.90 | 24BTB24H | 3020 | 76.20 | 50.80 | 133.35 | 10.67 | 2.95 |
| 25 | 303.99 | 24BTB25H | 3020 | 76.20 | 50.80 | 133.35 | 11.80 | 2.95 |
| 26 | 316.09 | 24BTB26H | 3020 | 76.20 | 50.80 | 133.35 | 12.93 | 2.95 |
| 27 | 328.19 | 24BTB27H | 3020 | 76.20 | 50.80 | 133.35 | 13.50 | 2.95 |
| 28 | 340.29 | 24BTB28H | 3020 | 76.20 | 50.80 | 133.35 | 14.70 | 2.95 |
| 29 | 352.29 | 24BTB29H | 3020 | 76.20 | 50.80 | 133.35 | 14.75 | 2.95 |
| 30 | 364.49 | 24BTB30H | 3020 | 76.20 | 50.80 | 133.35 | 15.20 | 2.95 |
| 32 | 388.71 | 24BTB32 | 3020 | 76.20 | 50.80 | 133.35 | 15.76 | 2.95 |
| 38 | 461.37 | 24CTB38 | 3030 | 76.20 | 76.20 | 139.70 | 24.97 | 4.18 |
| 40 | 485.60 | 24CTB40 | 3030 | 76.20 | 76.20 | 139.70 | 28.46 | 4.18 |
| 42 | 509.83 | 24CTB42 | 3030 | 76.20 | 76.20 | 139.70 | 31.95 | 4.18 |
| 45 | 546.19 | 24CTB45 | 3030 | 76.20 | 76.20 | 139.70 | 37.19 | 4.18 |
| 48 | 582.54 | 24CTB48 | 3030 | 76.20 | 76.20 | 139.70 | 42.43 | 4.18 |
| 50 | 606.78 | 24CTB50 | 3030 | 76.20 | 76.20 | 139.70 | 45.92 | 4.18 |
| 54 | 655.26 | 24CTB54 | 3535 | 88.90 | 88.90 | 165.10 | 63.32 | 6.36 |
| 57 | 691.62 | 24CTB57 | 3535 | 88.90 | 88.90 | 165.10 | 71.46 | 6.36 |
| 60 | 727.99 | 24CTB60 | 3535 | 88.90 | 88.90 | 165.10 | 79.60 | 6.36 |
| 68 | 824.97 | 24CTB68 | 3535 | 88.90 | 88.90 | 165.10 | 101.31 | 6.36 |
| 72 | 873.46 | 24CTB72 | 3535 | 88.90 | 88.90 | 165.10 | 112.17 | 6.36 |
| 76 | 921.96 | 24CTB76 | 3535 | 88.90 | 88.90 | 165.10 | 123.02 | 6.36 |
| 95 | 1152.33 | 24CTB95 | 4040 | 101.60 | 101.60 | 196.85 | 196.67 | 9.98 |
| 96 | 1164.46 | 24CTB96 | 4040 | 101.60 | 101.60 | 196.85 | 201.03 | 9.98 |
| 114 | 1382.72 | 24CTB114 | 4040 | 101.60 | 101.60 | 196.85 | 279.50 | 9.98 |

Sprockets with "H" suffix have hardened teeth.

1.50 INCH (38.10 mm) PITCH DUPLEX

CHAIN DATA:
 BS 228/18
 ISO 24B-2
 PITCH: 38.10 mm (1.50")
 ROLLER DIAMETER: 25.40 mm (1.00")
 ROLLER WIDTH: 25.40 mm (1.00")
 TENSILE: 19,960 kilos (44,000 lbs.)



Duplex - Type B/C — Steel

| No. Teeth | Pitch Diameter MM | Catalog Number | Bore | | Hub | | Weight Approx. (kg) |
|-----------|-------------------|----------------|----------|---------|---------|---------|---------------------|
| | | | Stock MM | Max. MM | Dia. MM | Thru MM | |
| 11 | 135.23 | D24B11 | 32 | 60 | 90 | 100 | 6.50 |
| 12 | 147.21 | D24B12 | 32 | 67 | 102 | 100 | 8.13 |
| 13 | 159.20 | D24B13 | 32 | 76 | 114 | 100 | 9.92 |
| 14 | 171.22 | D24B14 | 32 | 84 | 128 | 100 | 11.98 |
| 15 | 183.25 | D24B15 | 32 | 93 | 140 | 100 | 14.13 |
| 16 | 195.29 | D24B16 | 32 | 100 | 150 | 100 | 16.35 |
| 17 | 207.35 | D24B17 | 40 | 100 | 150 | 100 | 17.85 |
| 18 | 219.41 | D24B18 | 40 | 108 | 160 | 100 | 20.35 |
| 19 | 231.48 | D24B19 | 40 | 108 | 160 | 100 | 22.56 |
| 20 | 243.55 | D24B20 | 40 | 108 | 160 | 100 | 24.78 |
| 21 | 255.63 | D24B21 | 40 | 108 | 160 | 100 | 26.99 |
| 22 | 267.72 | D24B22 | 40 | 108 | 160 | 102 | 29.74 |
| 23 | 279.80 | D24B23 | 40 | 108 | 160 | 102 | 32.87 |
| 24 | 291.90 | D24B24 | 40 | 108 | 160 | 102 | 36.00 |
| 25 | 303.99 | D24B25 | 40 | 108 | 160 | 102 | 39.13 |
| 26 | 316.09 | D24B26 | 40 | 108 | 160 | 102 | 42.26 |
| 27 | 328.19 | D24B27 | 40 | 108 | 160 | 102 | 45.40 |
| 28 | 340.29 | D24B28 | 40 | 108 | 160 | 102 | 48.53 |
| 29 | 352.39 | D24B29 | 40 | 108 | 160 | 102 | 51.66 |
| 30 | 364.49 | D24B30 | 40 | 108 | 160 | 102 | 54.79 |
| 32 | 388.71 | D24B32 | 40 | 108 | 160 | 102 | 61.05 |
| 38 | 461.37 | D24C38 | 40 | 137 | 190 | 152 | 72.01 |
| 40 | 485.60 | D24C40 | 40 | 137 | 190 | 152 | 75.80 |
| 42 | 509.83 | D24C42 | 40 | 137 | 190 | 152 | 79.59 |
| 45 | 546.19 | D24C45 | 40 | 137 | 190 | 152 | 85.28 |
| 48 | 582.54 | D24C48 | 40 | 137 | 190 | 152 | 90.97 |
| 50 | 606.78 | D24C50 | 40 | 137 | 190 | 152 | 94.76 |
| 54 | 655.26 | D24C54 | 40 | 161 | 238 | 159 | 127.46 |
| 57 | 691.62 | D24C57 | 40 | 161 | 238 | 159 | 140.74 |
| 60 | 727.99 | D24C60 | 40 | 161 | 238 | 159 | 154.02 |
| 68 | 824.97 | D24C68 | 40 | 161 | 238 | 159 | 189.45 |
| 72 | 873.46 | D24C72 | 40 | 161 | 238 | 159 | 207.16 |
| 76 | 921.96 | D24C76 | 40 | 161 | 238 | 159 | 224.87 |
| 95 | 1152.33 | D24C95 | 40 | 161 | 238 | 159 | 309.00 |
| 96 | 1164.46 | D24C96 | 40 | 161 | 238 | 159 | 313.43 |
| 114 | 1382.72 | D24C114 | 40 | 161 | 238 | 159 | 393.13 |

Maximum bores shown will accommodate standard keyseat and setscrew over keyseat. Slightly larger bores are possible with no keyseat, shallow keyseat, or setscrew at angle to keyseat.

ISO 28B-1

METRIC 140

Metric Sprockets

CHAIN DATA:

BS 228/20
 ISO 28B-1
 PITCH: 44.45 mm (1.75")
 ROLLER DIAMETER: 27.94 mm (1.10")
 ROLLER WIDTH: 30.99 mm (1.22")
 TENSILE: 13,160 kilos (29,000 lbs.)

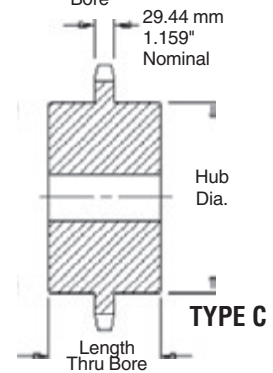
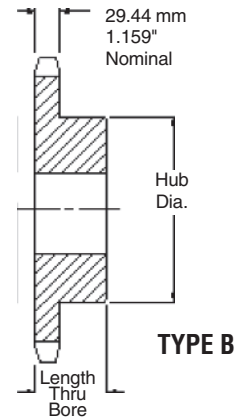
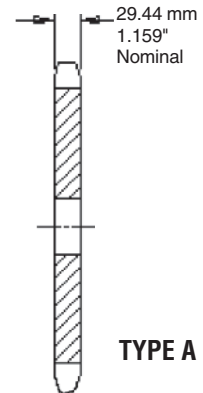
1.75 INCH (44.45 mm) PITCH SIMPLEX



Simplex - Type B/C — Steel

Simplex - Type A — Steel

| No. Teeth | Pitch Diameter MM | Catalog Number | Bore | | Hub | | Weight Approx. (kg) | Catalog Number | Bore Stock MM | Weight Approx. (kg) |
|-----------|-------------------|----------------|----------|---------|---------|---------|---------------------|----------------|---------------|---------------------|
| | | | Stock MM | Max. MM | Dia. MM | Thru MM | | | | |
| 11 | 157.77 | 28B11 | 40 | 73 | 112 | 70 | 5.27 | 28A11 | 32 | 3.18 |
| 12 | 171.74 | 28B12 | 40 | 84 | 125 | 70 | 6.40 | 28A12 | 32 | 3.95 |
| 13 | 185.74 | 28B13 | 40 | 93 | 140 | 70 | 8.22 | 28A13 | 32 | 4.31 |
| 14 | 199.76 | 28B14 | 40 | 93 | 140 | 60 | 9.13 | 28A14 | 32 | 4.77 |
| 15 | 213.79 | 28B15 | 40 | 108 | 160 | 60 | 11.40 | 28A15 | 40 | 5.45 |
| 16 | 227.84 | 28B16 | 40 | 108 | 160 | 64 | 12.76 | 28A16 | 40 | 6.81 |
| 17 | 241.91 | 28B17 | 40 | 108 | 160 | 64 | 13.65 | 28A17 | 40 | 7.71 |
| 18 | 255.98 | 28B18 | 40 | 108 | 160 | 64 | 13.65 | 28A18 | 40 | 8.63 |
| 19 | 270.06 | 28B19 | 40 | 108 | 160 | 64 | 15.01 | 28A19 | 40 | 9.53 |
| 20 | 284.14 | 28B20 | 40 | 108 | 160 | 64 | 16.84 | 28A20 | 40 | 10.44 |
| 21 | 298.24 | 28B21 | 40 | 108 | 160 | 64 | 18.19 | 28A21 | 40 | 11.79 |
| 22 | 312.34 | 28B22 | 40 | 108 | 160 | 64 | 19.11 | 28A22 | 40 | 13.17 |
| 23 | 326.44 | 28B23 | 40 | 108 | 160 | 64 | 20.46 | 28A23 | 40 | 14.06 |
| 24 | 340.54 | 28B24 | 40 | 108 | 160 | 64 | 21.84 | 28A24 | 40 | 15.44 |
| 25 | 354.65 | 28B25 | 40 | 108 | 160 | 64 | 22.73 | 28A25 | 40 | 16.78 |
| 26 | 368.77 | 28B26 | 40 | 108 | 160 | 64 | 26.83 | 28A26 | 40 | 18.61 |
| 27 | 382.88 | 28B27 | 40 | 108 | 160 | 64 | 27.74 | 28A27 | 40 | 20.43 |
| 28 | 397.00 | 28B28 | 40 | 108 | 160 | 64 | 30.29 | 28A28 | 40 | 20.88 |
| 29 | 411.12 | 28B29 | 40 | 108 | 160 | 64 | 31.74 | 28A29 | 40 | 23.06 |
| 30 | 425.24 | 28B30 | 40 | 108 | 160 | 64 | 32.73 | 28A30 | 40 | 25.17 |
| 32 | 453.49 | 28B32 | 40 | 134 | 180 | 76 | 34.84 | 28A32 | 40 | 31.02 |
| 38 | 538.27 | 28C38 | 40 | 134 | 178 | 102 | 51.25 | 28A38 | 40 | 48.58 |
| 40 | 566.54 | 28C40 | 40 | 134 | 178 | 102 | 52.84 | 28A40 | 40 | 52.80 |
| 42 | 594.81 | 28C42 | 40 | 134 | 178 | 102 | 54.43 | 28A42 | 40 | 57.02 |
| 45 | 637.22 | 28C45 | 40 | 134 | 178 | 102 | 60.55 | 28A45 | 40 | 63.35 |
| 48 | 679.63 | 28C48 | 40 | 134 | 178 | 102 | 62.72 | 28A48 | 40 | 69.68 |
| 54 | 764.47 | 28C54 | 40 | 134 | 178 | 127 | 74.60 | 28A54 | 40 | 82.34 |
| 57 | 806.89 | 28C57 | 40 | 134 | 178 | 127 | 81.77 | 28A57 | 40 | 88.67 |
| 60 | 849.32 | 28C60 | 40 | 134 | 178 | 127 | 88.94 | 28A60 | 40 | 97.97 |
| 68 | 962.47 | 28C68 | 40 | 137 | 191 | 127 | 108.05 | 28A68 | 40 | 122.79 |
| 72 | 1019.04 | 28C72 | 40 | 137 | 191 | 127 | 117.61 | 28A72 | 40 | 135.19 |
| 76 | 1075.62 | 28C76 | 40 | 137 | 191 | 127 | 127.17 | 28A76 | 40 | 147.60 |
| 95 | 1344.39 | 28C95 | 40 | 137 | 191 | 127 | 172.57 | 28A95 | 40 | 206.53 |
| 96 | 1358.53 | 28C96 | 40 | 137 | 191 | 127 | 174.96 | 28A96 | 40 | 209.63 |
| 114 | 1613.18 | 28C114 | 40 | 137 | 191 | 127 | 217.97 | 28A114 | 40 | 265.46 |

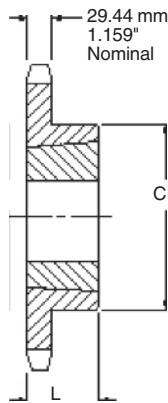


Maximum bores shown will accommodate standard keyseat and setscrew over keyseat. Slightly larger bores are possible with no keyseat, shallow keyseat, or setscrew at angle to keyseat.

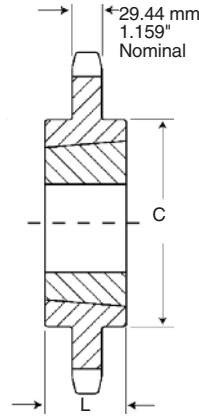
1.75 INCH (44.45 mm) PITCH **SIMPLEX**

CHAIN DATA:

BS 228/20
 ISO 28B-1
 PITCH: 44.45 mm (1.75")
 ROLLER DIAMETER: 27.94 mm (1.10")
 ROLLER WIDTH: 30.99 mm (1.22")
 TENSILE: 13,160 kilos (29,000 lbs.)



TYPE B



TYPE C

Simplex - Taper Bushed — Steel

| No. Teeth | Pitch Diameter MM | Catalog Number | Bushing Number | Bore Max. MM | Dimension | | Weight Approx. | |
|-----------|-------------------|----------------|----------------|--------------|-----------|--------|----------------|--------------|
| | | | | | L MM | C MM | Rim (kg) | Bushing (kg) |
| 11 | 157.80 | 28BTB11H | 2517 | 63.50 | 44.45 | 107.95 | 3.53 | 1.59 |
| 12 | 170.80 | 28BTB12H | 2517 | 63.50 | 44.45 | 107.95 | 3.86 | 1.59 |
| 13 | 185.80 | 28BTB13H | 3020 | 76.20 | 50.80 | 133.35 | 5.90 | 2.95 |
| 14 | 199.80 | 28BTB14H | 3020 | 76.20 | 50.80 | 133.35 | 7.04 | 2.95 |
| 15 | 213.80 | 28BTB15H | 3020 | 76.20 | 50.80 | 133.35 | 8.17 | 2.95 |
| 16 | 227.90 | 28BTB16H | 3020 | 76.20 | 50.80 | 133.35 | 9.76 | 2.95 |
| 17 | 241.90 | 28BTB17H | 3020 | 76.20 | 50.80 | 133.35 | 11.35 | 2.95 |
| 18 | 256.00 | 28BTB18H | 3020 | 76.20 | 50.80 | 133.35 | 12.49 | 2.95 |
| 19 | 270.10 | 28BTB19H | 3020 | 76.20 | 50.80 | 133.35 | 13.62 | 2.95 |
| 20 | 284.10 | 28BTB20H | 3020 | 76.20 | 50.80 | 133.35 | 14.3 | 2.95 |
| 21 | 298.30 | 28BTB21H | 3020 | 76.20 | 50.80 | 133.35 | 14.98 | 2.95 |
| 22 | 312.30 | 28BTB22H | 3020 | 76.20 | 50.80 | 133.35 | 16.91 | 2.95 |
| 23 | 326.40 | 28BTB23H | 3020 | 76.20 | 50.80 | 133.35 | 18.84 | 2.95 |
| 24 | 340.50 | 28BTB24H | 3020 | 76.20 | 50.80 | 133.35 | 20.77 | 2.95 |
| 25 | 354.70 | 28BTB25H | 3020 | 76.20 | 50.80 | 133.35 | 22.70 | 2.95 |
| 26 | 368.80 | 28BTB26H | 3020 | 76.20 | 50.80 | 133.35 | 24.63 | 2.95 |
| 27 | 382.90 | 28BTB27 | 3020 | 76.20 | 50.80 | 133.35 | 26.56 | 2.95 |
| 28 | 397.00 | 28BTB28 | 3020 | 76.20 | 50.80 | 133.35 | 28.49 | 2.95 |
| 30 | 425.20 | 28BTB30 | 3020 | 76.20 | 50.80 | 133.35 | 32.35 | 2.95 |
| 32 | 453.49 | 28BTB32 | 3020 | 76.20 | 50.80 | 133.35 | 36.21 | 2.95 |
| 38 | 538.30 | 28CTB38 | 3535 | 88.90 | 88.90 | 165.10 | 45.40 | 6.36 |
| 40 | 566.55 | 28CTB40 | 3535 | 88.90 | 88.90 | 165.10 | 47.79 | 6.36 |
| 42 | 594.82 | 28CTB42 | 3535 | 88.90 | 88.90 | 165.10 | 50.18 | 6.36 |
| 45 | 637.21 | 28CTB45 | 4040 | 101.60 | 101.60 | 219.08 | 57.35 | 9.99 |
| 48 | 679.63 | 28CTB48 | 4040 | 101.60 | 101.60 | 219.08 | 61.17 | 9.99 |
| 54 | 764.46 | 28CTB54 | 4040 | 101.60 | 101.60 | 219.08 | 68.82 | 9.99 |
| 57 | 806.90 | 28CTB57 | 4040 | 101.60 | 101.60 | 219.08 | 72.64 | 9.99 |
| 60 | 849.33 | 28CTB60 | 4040 | 101.60 | 101.60 | 219.08 | 76.44 | 9.99 |
| 68 | 962.46 | 28CTB68 | 4040 | 101.60 | 101.60 | 219.08 | 86.63 | 9.99 |
| 72 | 1019.05 | 28CTB72 | 4040 | 101.60 | 101.60 | 219.08 | 91.73 | 9.99 |
| 76 | 1075.60 | 28CTB76 | 4040 | 101.60 | 101.60 | 219.08 | 96.83 | 9.99 |
| 95 | 1344.37 | 28CTB95 | 4040 | 101.60 | 101.60 | 219.08 | 121.03 | 9.99 |
| 96 | 1358.52 | 28CTB96 | 4040 | 101.60 | 101.60 | 219.08 | 122.31 | 9.99 |
| 114 | 1613.18 | 28CTB114 | 4040 | 101.60 | 101.60 | 219.08 | 145.24 | 9.99 |

ISO 28B-2

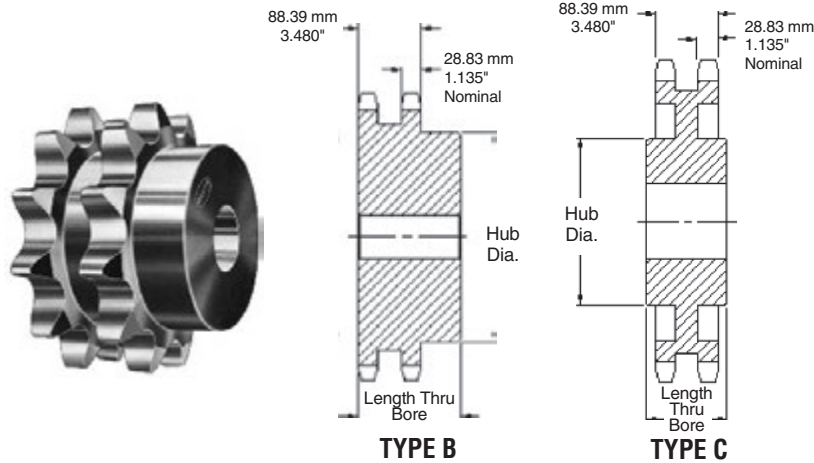
METRIC 140-2

Metric Sprockets

CHAIN DATA:

BS 228/20
ISO 28B-2
PITCH: 44.45 mm (1.75")
ROLLER DIAMETER: 27.94 mm (1.10")
ROLLER WIDTH: 30.99 mm (1.22")
TENSILE: 26,320 kilos (58,000 lbs.)

1.75 INCH (44.45 mm) PITCH DUPLEX



Duplex - Type B/C — Steel

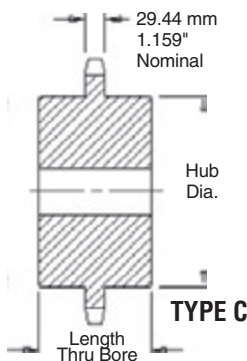
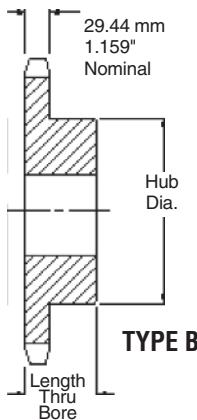
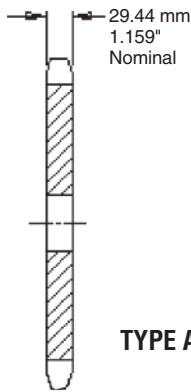
| No. Teeth | Pitch Diameter MM | Catalog Number | Bore | | Hub | | Weight Approx. (kg) |
|-----------|-------------------|----------------|----------|---------|---------|---------|---------------------|
| | | | Stock MM | Max. MM | Dia. MM | Thru MM | |
| 11 | 157.77 | D28B11 | 40 | 73 | 112 | 120 | 10.21 |
| 12 | 171.74 | D28B12 | 40 | 84 | 125 | 120 | 13.02 |
| 13 | 185.74 | D28B13 | 40 | 84 | 130 | 120 | 16.00 |
| 14 | 199.76 | D28B14 | 40 | 87 | 135 | 120 | 19.28 |
| 15 | 213.79 | D28B15 | 40 | 96 | 145 | 120 | 22.91 |
| 16 | 227.84 | D28B16 | 40 | 108 | 160 | 120 | 26.92 |
| 17 | 241.91 | D28B17 | 40 | 114 | 178 | 120 | 30.83 |
| 18 | 255.98 | D28B18 | 40 | 114 | 178 | 120 | 34.74 |
| 19 | 270.06 | D28B19 | 40 | 133 | 178 | 120 | 38.93 |
| 20 | 284.14 | D28B20 | 40 | 133 | 178 | 120 | 44.27 |
| 21 | 298.24 | D28B21 | 40 | 133 | 178 | 120 | 45.08 |
| 22 | 312.34 | D28B22 | 40 | 133 | 178 | 120 | 48.15 |
| 23 | 326.44 | D28B23 | 40 | 133 | 178 | 120 | 51.59 |
| 24 | 340.54 | D28B24 | 40 | 133 | 178 | 120 | 55.03 |
| 25 | 354.65 | D28B25 | 40 | 133 | 178 | 120 | 58.47 |
| 26 | 368.77 | D28B26 | 40 | 133 | 178 | 120 | 64.06 |
| 28 | 397.00 | D28B28 | 40 | 133 | 178 | 120 | 76.05 |
| 30 | 425.24 | D28B30 | 40 | 133 | 178 | 120 | 89.16 |
| 32 | 453.49 | D28B32 | 40 | 133 | 178 | 120 | 103.38 |
| 38 | 537.27 | D28C38 | 40 | 133 | 191 | 159 | 97.53 |
| 40 | 566.54 | D28C40 | 40 | 137 | 191 | 159 | 109.47 |
| 45 | 637.22 | D28C45 | 40 | 137 | 191 | 159 | 137.32 |
| 48 | 679.63 | D28C48 | 40 | 137 | 191 | 159 | 153.61 |
| 54 | 764.47 | D28C54 | 40 | 162 | 241 | 181 | 204.44 |
| 57 | 806.89 | D28C57 | 40 | 162 | 241 | 181 | 210.02 |
| 60 | 849.32 | D28C60 | 40 | 162 | 241 | 181 | 230.82 |
| 68 | 962.47 | D28C68 | 40 | 162 | 241 | 181 | 273.98 |
| 72 | 1019.04 | D28C72 | 40 | 162 | 241 | 181 | 305.70 |
| 76 | 1075.62 | D28C76 | 40 | 162 | 241 | 181 | 323.56 |

Maximum bores shown will accommodate standard keyseat and setscrew over keyseat. Slightly larger bores are possible with no keyseat, shallow keyseat, or setscrew at angle to keyseat.

2.00 INCH (50.80 mm) PITCH **SIMPLEX**

CHAIN DATA:

BS 228/22
 ISO 32B-1
 PITCH: 50.80 mm(2.00")
 ROLLER DIAMETER: 29.21 mm (1.15")
 ROLLER WIDTH: 30.99 mm (1.22")
 TENSILE: 17,240 kilos (38,000 lbs.)



Simplex - Type B/C — Steel

Simplex - Type A — Steel

| No. Teeth | Pitch Diameter MM | Catalog Number | Bore | | Hub | | Weight Approx. (kg) | Catalog Number | Bore Stock MM | Weight Approx. (kg) |
|-----------|-------------------|----------------|----------|---------|---------|---------|---------------------|----------------|---------------|---------------------|
| | | | Stock MM | Max. MM | Dia. MM | Thru MM | | | | |
| 11 | 180.31 | 32B11 | 40 | 83 | 120 | 80 | 9.04 | 32A11 | 32 | 5.00 |
| 12 | 196.28 | 32B12 | 40 | 89 | 133 | 80 | 11.11 | 32A12 | 32 | 6.02 |
| 13 | 212.27 | 32B13 | 40 | 102 | 152 | 70 | 12.61 | 32A13 | 32 | 7.12 |
| 14 | 228.29 | 32B14 | 40 | 102 | 152 | 70 | 14.97 | 32A14 | 32 | 8.32 |
| 15 | 244.33 | 32B15 | 40 | 102 | 178 | 70 | 17.32 | 32A15 | 40 | 9.50 |
| 16 | 260.39 | 32B16 | 40 | 103 | 178 | 70 | 18.78 | 32A16 | 40 | 11.64 |
| 17 | 276.46 | 32B17 | 40 | 103 | 178 | 70 | 20.23 | 32A17 | 40 | 12.35 |
| 18 | 292.55 | 32B18 | 40 | 103 | 178 | 70 | 21.88 | 32A18 | 40 | 13.96 |
| 19 | 308.64 | 32B19 | 40 | 103 | 178 | 70 | 23.53 | 32A19 | 40 | 15.57 |
| 20 | 324.74 | 32B20 | 40 | 133 | 178 | 70 | 25.37 | 32A20 | 40 | 17.36 |
| 21 | 340.84 | 32B21 | 40 | 133 | 178 | 70 | 27.20 | 32A21 | 40 | 19.15 |
| 22 | 356.96 | 32B22 | 40 | 133 | 178 | 70 | 29.23 | 32A22 | 40 | 21.13 |
| 23 | 373.07 | 32B23 | 40 | 133 | 178 | 70 | 31.25 | 32A23 | 40 | 23.10 |
| 24 | 389.19 | 32B24 | 40 | 133 | 178 | 76 | 35.33 | 32A24 | 40 | 25.26 |
| 25 | 405.32 | 32B25 | 40 | 133 | 178 | 76 | 36.80 | 32A25 | 40 | 27.41 |
| 26 | 421.45 | 32B26 | 40 | 133 | 181 | 76 | 39.41 | 32A26 | 40 | 30.25 |
| 27 | 437.58 | 32B27 | 40 | 133 | 181 | 76 | 42.02 | 32A27 | 40 | 33.10 |
| 28 | 453.72 | 32B28 | 40 | 133 | 181 | 76 | 44.62 | 32A28 | 40 | 35.94 |
| 29 | 469.85 | 32B29 | 40 | 133 | 181 | 76 | 47.23 | 32A29 | 40 | 38.78 |
| 30 | 485.99 | 32B30 | 40 | 133 | 181 | 76 | 49.84 | 32A30 | 40 | 41.63 |
| 32 | 518.28 | 32B32 | 40 | 139 | 203 | 76 | 58.02 | 32A32 | 40 | 47.31 |
| 38 | 615.17 | 32C38 | 40 | 139 | 203 | 114 | 86.78 | 32A38 | 40 | 64.37 |
| 40 | 647.47 | 32C40 | 40 | 139 | 203 | 114 | 91.35 | 32A40 | 40 | 72.98 |
| 42 | 679.78 | 32C42 | 40 | 139 | 203 | 114 | 95.91 | 32A42 | 40 | 81.60 |
| 45 | 728.25 | 32C45 | 40 | 139 | 203 | 127 | 116.97 | 32A45 | 40 | 94.52 |
| 48 | 776.72 | 32C48 | 40 | 139 | 203 | 127 | 130.43 | 32A48 | 40 | 107.44 |
| 54 | 873.68 | 32C54 | 40 | 139 | 203 | 127 | 157.34 | 32A54 | 40 | 133.29 |
| 57 | 922.16 | 32C57 | 40 | 139 | 203 | 127 | 170.79 | 32A57 | 40 | 146.21 |
| 60 | 970.65 | 32C60 | 40 | 139 | 203 | 127 | 184.25 | 32A60 | 40 | 164.35 |
| 68 | 1099.96 | 32C68 | 40 | 139 | 203 | 127 | 220.13 | 32A68 | 40 | 212.73 |
| 72 | 1164.62 | 32C72 | 40 | 139 | 203 | 152 | 282.31 | 32A72 | 40 | 236.91 |
| 76 | 1229.28 | 32C76 | 40 | 139 | 203 | 152 | 297.99 | 32A76 | 40 | 261.10 |

Maximum bores shown will accommodate standard keyseat and setscrew over keyseat. Slightly larger bores are possible with no keyseat, shallow keyseat, or setscrew at angle to keyseat.

ISO 32B-1

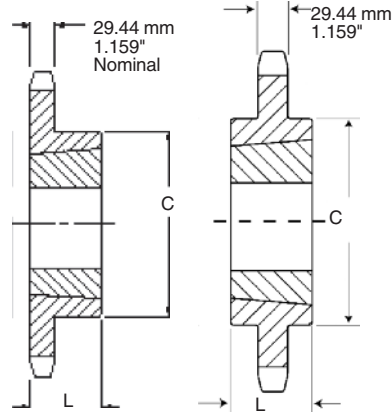
METRIC 160

Metric Sprockets

CHAIN DATA:

BS 228/22
 ISO 32B-1
 PITCH: 50.80 mm (2.00")
 ROLLER DIAMETER: 29.21 mm (1.15")
 ROLLER WIDTH: 30.99 mm (1.22")
 TENSILE: 17,240 kilos (38,000 lbs.)

2.00 INCH (50.80 mm) PITCH SIMPLEX



TYPE B

TYPE C

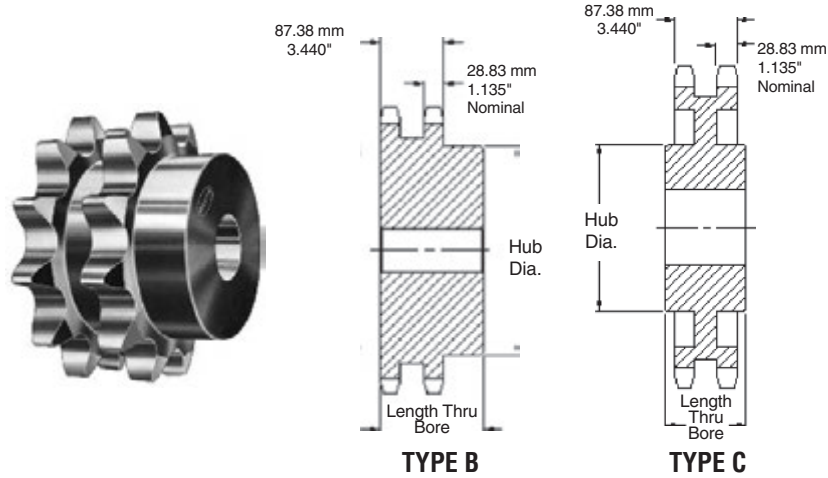
Simplex - Taper Bushed — Steel

| No. Teeth | Pitch Diameter MM | Catalog Number | Bushing Number | Bore Max. MM | Dimension | | Weight Approx. | |
|-----------|-------------------|----------------|----------------|--------------|-----------|--------|----------------|--------------|
| | | | | | L MM | C MM | Rim (kg) | Bushing (kg) |
| 11 | 180.31 | 32BTB11H | 2517 | 63.50 | 44.45 | 107.95 | 4.51 | 1.59 |
| 12 | 196.28 | 32BTB12H | 3020 | 76.20 | 50.80 | 133.35 | 5.27 | 2.95 |
| 13 | 212.27 | 32BTB13H | 3020 | 76.20 | 50.80 | 133.35 | 6.38 | 2.95 |
| 14 | 228.29 | 32BTB14H | 3020 | 76.20 | 50.80 | 133.35 | 6.87 | 2.95 |
| 15 | 244.33 | 32BTB15H | 3535 | 88.90 | 88.90 | 165.10 | 11.80 | 6.36 |
| 16 | 260.39 | 32BTB16H | 3535 | 88.90 | 88.90 | 165.10 | 13.38 | 6.36 |
| 17 | 276.46 | 32BTB17H | 3535 | 88.90 | 88.90 | 165.10 | 14.98 | 6.36 |
| 18 | 292.55 | 32BTB18H | 3535 | 88.90 | 88.90 | 165.10 | 16.12 | 6.36 |
| 19 | 308.64 | 32BTB19H | 3535 | 88.90 | 88.90 | 165.10 | 17.25 | 6.36 |
| 20 | 324.74 | 32BTB20H | 3535 | 88.90 | 88.90 | 165.10 | 21.10 | 6.36 |
| 21 | 340.84 | 32BTB21H | 3535 | 88.90 | 88.90 | 165.10 | 24.94 | 6.36 |
| 22 | 356.96 | 32BTB22H | 3535 | 88.90 | 88.90 | 165.10 | 27.79 | 6.36 |
| 23 | 373.07 | 32BTB23H | 3535 | 88.90 | 88.90 | 165.10 | 30.64 | 6.36 |
| 24 | 389.19 | 32BTB24H | 3535 | 88.90 | 88.90 | 165.10 | 33.48 | 6.36 |
| 25 | 405.32 | 32BTB25H | 3535 | 88.90 | 88.90 | 165.10 | 36.32 | 6.36 |
| 26 | 421.45 | 32BTB26H | 3535 | 88.90 | 88.90 | 165.10 | 39.16 | 6.36 |
| 27 | 437.58 | 32BTB27 | 3535 | 88.90 | 88.90 | 165.10 | 42.00 | 6.36 |
| 28 | 453.72 | 32BTB28 | 3535 | 88.90 | 88.90 | 165.10 | 44.84 | 6.36 |
| 30 | 486.99 | 32BTB30 | 3535 | 88.90 | 88.90 | 165.10 | 50.52 | 6.36 |
| 32 | 518.28 | 32BTB32 | 3535 | 88.90 | 88.90 | 165.10 | 56.20 | 6.36 |
| 38 | 615.17 | 32CTB38 | 4040 | 101.60 | 101.60 | 219.08 | 68.10 | 10.00 |
| 40 | 647.47 | 32CTB40 | 4040 | 101.60 | 101.60 | 219.08 | 77.08 | 10.00 |
| 45 | 728.25 | 32CTB45 | 4040 | 101.60 | 101.60 | 219.08 | 99.53 | 10.00 |
| 48 | 776.72 | 32CTB48 | 4040 | 101.60 | 101.60 | 219.08 | 113.01 | 10.00 |
| 54 | 873.68 | 32CTB54 | 4040 | 101.60 | 114.30 | 219.08 | 139.95 | 10.00 |
| 57 | 922.16 | 32CTB57 | 4545 | 114.30 | 114.30 | 247.65 | 136.20 | 13.62 |
| 60 | 970.65 | 32CTB60 | 4545 | 114.30 | 114.30 | 247.65 | 158.84 | 13.62 |
| 64 | 1035.30 | 32CTB64 | 4545 | 114.30 | 114.30 | 247.65 | 189.03 | 13.62 |
| 70 | 1132.29 | 32CTB70 | 4545 | 114.30 | 114.30 | 247.65 | 234.32 | 13.62 |

2.00 INCH (50.80 mm) PITCH DUPLEX

CHAIN DATA:

BS 228/22
 ISO 32B-2
 PITCH: 50.80 mm (2.00")
 ROLLER DIAMETER: 29.21 mm (1.15")
 ROLLER WIDTH: 30.99 mm (1.22")
 TENSILE: 34,480 kilos (76,000 lbs.)



Duplex - Type B/C — Steel

| No. Teeth | Pitch Diameter MM | Catalog Number | Bore | | Hub | | Weight Approx. (kg) |
|-----------|-------------------|----------------|----------|---------|---------|---------|---------------------|
| | | | Stock MM | Max. MM | Dia. MM | Thru MM | |
| 11 | 180.31 | D32B11 | 40 | 80 | 125 | 120 | 10.42 |
| 12 | 196.28 | D32B12 | 40 | 89 | 133 | 120 | 16.32 |
| 13 | 212.27 | D32B13 | 40 | 96 | 145 | 120 | 21.77 |
| 14 | 228.29 | D32B14 | 40 | 103 | 155 | 120 | 26.31 |
| 15 | 244.33 | D32B15 | 40 | 106 | 160 | 120 | 30.84 |
| 16 | 260.39 | D32B16 | 40 | 120 | 178 | 120 | 34.02 |
| 17 | 276.46 | D32B17 | 40 | 120 | 178 | 120 | 41.28 |
| 18 | 292.55 | D32B18 | 40 | 120 | 178 | 120 | 43.55 |
| 19 | 308.64 | D32B19 | 40 | 120 | 178 | 120 | 48.53 |
| 20 | 324.74 | D32B20 | 40 | 130 | 191 | 120 | 53.98 |
| 21 | 340.84 | D32B21 | 40 | 130 | 191 | 120 | 58.97 |
| 22 | 356.96 | D32B22 | 40 | 130 | 191 | 120 | 63.96 |
| 23 | 373.07 | D32B23 | 40 | 130 | 191 | 120 | 71.21 |
| 24 | 389.19 | D32B24 | 40 | 130 | 191 | 120 | 77.57 |
| 25 | 405.32 | D32B25 | 40 | 130 | 191 | 120 | 84.82 |
| 26 | 421.45 | D32B26 | 40 | 130 | 191 | 120 | 91.17 |
| 27 | 437.58 | D32B27 | 40 | 130 | 191 | 120 | 97.52 |
| 28 | 453.72 | D32B28 | 40 | 130 | 191 | 120 | 101.13 |
| 30 | 485.99 | D32B30 | 40 | 130 | 191 | 120 | 116.57 |
| 38 | 615.17 | D32B38 | 40 | 178 | 254 | 181 | 170.25 |
| 40 | 647.47 | D32C40 | 40 | 178 | 254 | 181 | 177.46 |
| 45 | 728.25 | D32C45 | 40 | 178 | 254 | 181 | 195.50 |
| 48 | 776.72 | D32C48 | 40 | 178 | 254 | 181 | 204.51 |
| 54 | 873.68 | D32C54 | 40 | 178 | 254 | 181 | 222.53 |
| 57 | 922.16 | D32C57 | 40 | 178 | 254 | 181 | 231.54 |
| 60 | 970.65 | D32C60 | 40 | 178 | 254 | 181 | 255.83 |
| 76 | 1229.28 | D32C76 | 40 | 178 | 254 | 181 | 292.83 |

Maximum bores shown will accommodate standard keyseat and setscrew over keyseat. Slightly larger bores are possible with no keyseat, shallow keyseat, or setscrew at angle to keyseat.