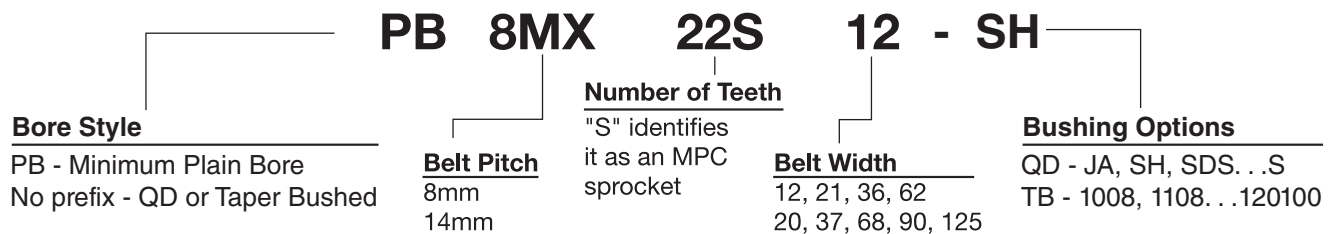


## MPC® Synchronous Sprockets



Introducing our newest synchronous sprocket.

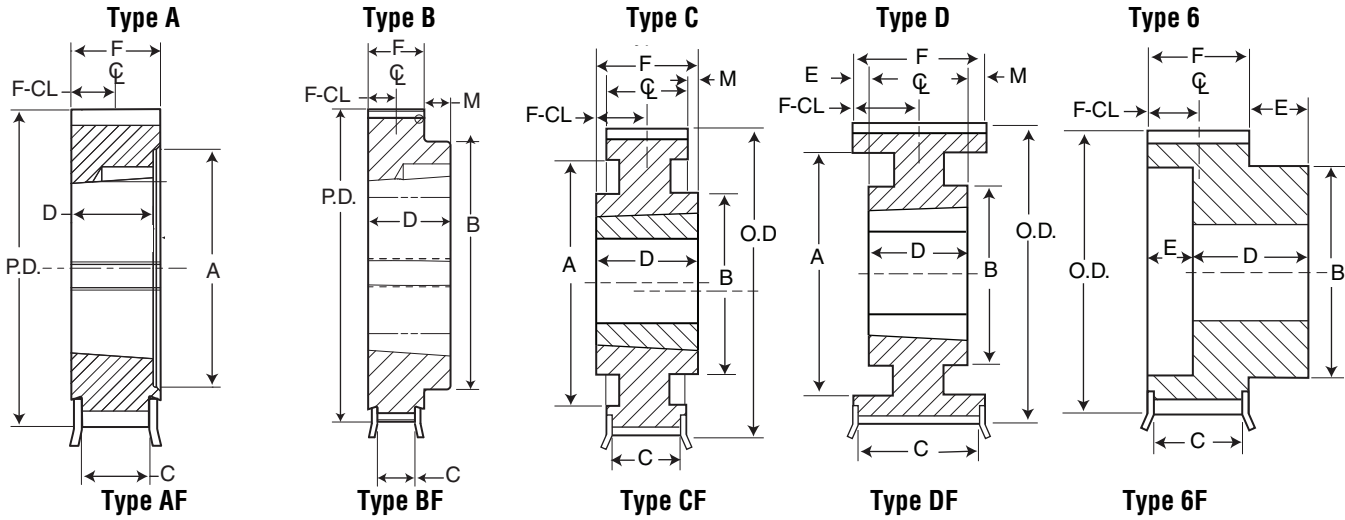
The addition of our MPC sprocket line makes *Martin* your one-stop-shop for all your synchronous sprocket needs. Match your sprocket to your favorite belt.

MPC® Synchronous Sprockets are available in your desired configuration.

- Available in 8mm and 14mm pitches.
- Belt widths:  
12mm, 21mm, 36mm, 62mm (8mm pitch)  
20mm, 37mm, 68mm, 90mm, 125mm (14mm pitch)
- Available in QD, TB or other special adapters.
- Special diameters and widths, as well as special materials, are also available.

# MPC® Sprockets

## 8mm



### 8mm Pitch — 12mm Wide Belt

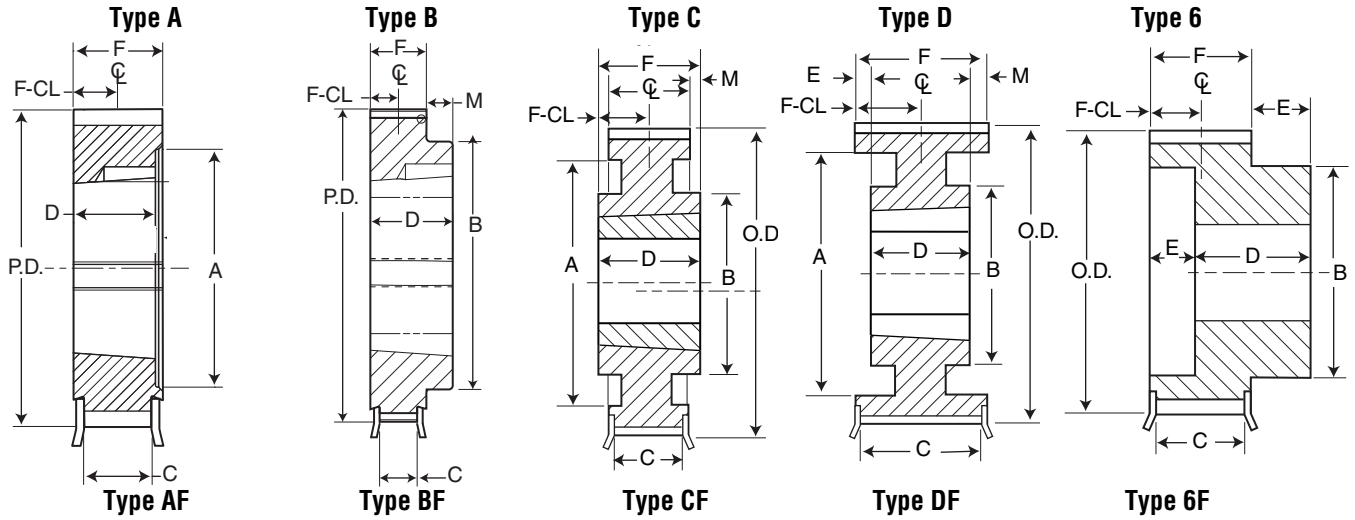
No. of Teeth	Catalog Number	Bore	Pitch Diameter	Diameter (in.)		Type	Max. Bore	Dimensions (in.)							Weight Approx. (lbs.)	
				O.D.	Max. Flange O.D.			A	B	C	D	E	F	M		F-CL
<b>MBP 8mm Pitch, 12mm (0.47 in.) Wide Belts (8M -12)</b>																
22	PB8MX22S12	1/2	2.206	2.143	2.610	6F-1	1.188		1.79	0.57	1.31	0.46	0.82		0.41	1.1
25	PB8MX25S12	1/2	2.506	2.443	2.910	6F-1	1.500		2.08	0.57	1.31	0.46	0.82		0.41	1.5
28	PB8MX28S12	1/2	2.807	2.744	3.210	6F-1	1.750		2.34	0.57	1.31	0.46	0.82		0.41	1.9
30	PB8MX30S12	1/2	3.008	2.945	3.410	6F-1	1.813		2.54	0.57	1.42	0.57	0.82		0.41	2.3
32	PB8MX32S12	1/2	3.208	3.145	3.610	6F-1	2.000		2.73	0.57	1.42	0.57	0.82		0.41	2.7
<b>Taper Bushed 8mm Pitch, 12mm (0.47 in.) Wide Belts (8M -12)</b>																
22	8MX22S12-1008	1008	2.206	2.143	2.610	AF-1	1.000			0.63	0.88		0.88		0.44	0.5
25	8MX25S12-1108	1108	2.506	2.443	2.910	AF-1	1.125			0.63	0.88		0.88		0.44	0.7
26	8MX26S12-1108	1108	2.607	2.906	2.906	AF-1	1.125			0.63	0.88		0.88		0.44	0.8
27	8MX27S12-1108	1108	2.707	2.644	3.207	AF-1	1.125			0.63	0.88		0.88		0.44	0.9
28	8MX28S12-1108	1108	2.807	2.744	3.210	AF-1	1.125			0.63	0.88		0.88		0.44	1.0
29	8MX29S12-1108	1108	2.907	2.844	3.090	AF-1	1.125			0.63	0.88		0.88		0.44	1.2
30	8MX30S12-1108	1108	3.008	2.945	3.410	AF-1	1.125			0.63	0.88		0.88		0.44	1.3
31	8MX31S12-1210	1210	3.108	3.045	3.328	AF-1	1.250			0.75	1.00		1.00		0.50	1.3
32	8MX32S12-1210	1210	3.208	3.145	3.610	AF-1	1.250			0.75	1.00		1.00		0.50	1.4
33	8MX33S12-1610	1610	3.308	3.245	3.566	AF-1	1.625			0.75	1.00		1.00		0.50	1.3
34	8MX34S12-1610	1610	3.409	3.346	3.810	AF-1	1.625			0.75	1.00		1.00		0.50	1.3
35	8MX35S12-1610	1610	3.509	3.446	3.805	AF-1	1.625			0.75	1.00		1.00		0.50	1.3
36	8MX36S12-1610	1610	3.609	3.456	4.010	AF-1	1.625			0.75	1.00		1.00		0.50	1.2
37	8MX37S12-1610	1610	3.709	3.646	4.044	AF-1	1.625			0.75	1.00		1.00		0.50	1.6
38	8MX38S12-1610	1610	3.810	3.747	4.210	AF-1	1.625			0.75	1.00		1.00		0.50	1.7
39	8MX39S12-1610	1610	3.910	3.847	4.410	AF-1	1.625			0.75	1.00		1.00		0.50	1.7
40	8MX40S12-2012	2012	4.010	3.947	4.410	BF-1	2.000	3.56	0.57	1.25		0.82	0.43	0.41	1.7	
41	8MX41S12-2012	2012	4.110	4.047	4.520	BF-1	2.000	3.65	0.65	1.25		0.82	0.43	0.41	1.8	
42	8MX42S12-2012	2012	4.211	4.148	4.910	BF-1	2.000	3.76	0.57	1.25		0.82	0.43	0.41	2.2	
45	8MX45S12-2012	2012	4.511	4.448	4.910	BF-1	2.000	3.76	0.57	1.25		0.82	0.43	0.41	2.5	
48	8MX48S12-2012	2012	4.812	4.749	5.210	BF-1	2.000	3.76	0.57	1.25		0.82	0.43	0.41	3.4	
50	8MX50S12-2012	2012	5.013	4.950	5.410	BF-1	2.000	3.76	0.57	1.25		0.82	0.43	0.41	3.7	
53	8MX53S12-2012	2012	5.314	5.251	5.500	BF-1	2.000	3.76	0.57	1.25		0.82	0.43	0.41	4.7	
56	8MX56S12-2012	2012	5.614	5.551	6.010	BF-1	2.000	3.76	0.57	1.25		0.82	0.43	0.41	5.4	
60	8MX60S12-2012	2012	6.015	5.952	6.410	BF-1	2.000	3.76	0.57	1.25		0.82	0.43	0.41	6.3	
63	8MX63S12-2012	2012	6.316	6.253	6.720	CF-1	2.000	5.71	4.00	0.57	1.25		0.82	0.43	0.41	5.6
67	8MX67S12-2012	2012	6.717	6.654	6.870	CF-1	2.000	6.14	4.00	0.57	1.25		0.82	0.43	0.41	4.3
71	8MX71S12-2012	2012	7.118	7.055	7.500	CF-1	2.000	6.51	4.00	0.57	1.25		0.82	0.43	0.41	4.7
75	8MX75S12-2012	2012	7.519	7.456	7.920	CF-1	2.000	6.90	4.00	0.57	1.25		0.82	0.43	0.41	5.1
80	8MX80S12-2012	2012	8.020	7.957	8.420	CF-1	2.000	7.23	4.00	0.57	1.25		0.82	0.43	0.41	5.8
90	8MX90S12-2012	2012	9.023	8.96	-	C-2	2.000	8.05	4.00		1.25		0.82	0.43	0.41	9.4
112	8MX112S12-2012	2012	11.229	11.166	-	C-2	2.000	10.25	4.00		1.25		0.82	0.43	0.41	16.6
140	8MX140S12-2012	2012	14.036	13.973	-	C-3	2.000	11.96	4.38		1.25		0.82	0.43	0.41	17.3
180	8MX180S12-2517	2517	18.046	17.893	-	C-3	2.500	15.80	4.88		1.75		0.82	0.93	0.41	30.0
224	8MX224S12-2517	2517	22.457	22.394	-	C-3	2.500	20.17	4.88		1.75		0.82	0.93	0.41	41.2

Type: 1 - Solid 2 - Web 3 - Arms F=Flanged

NOTE: Weights for Minimum Plain Bore (MPB) Sprockets are with minimum bore.

Weights for Bushed Sprockets less bushing.

Dimensions in Inches. Weight in pounds.



### 8mm Pitch — 21mm Wide Belt

No. of Teeth	Catalog Number	Bore	Pitch Diameter	Diameter (in.)		Type	Max. Bore	Dimensions (in.)							Weight Approx. (lbs.)	
				O.D.	Max. Flange O.D.			A	B	C	D	E	F	M		F-CL
<b>MBP 8mm Pitch, 21mm (0.83 in.) Wide Belts (8M -21)</b>																
22	PB8MX22S21	MPB	2.206	2.143	2.610	6F-1	1.188		1.79	0.92	1.65	0.45	1.20		0.60	1.3
25	PB8MX25S21	MPB	2.506	2.443	2.910	6F-1	1.500		2.08	0.92	1.65	0.45	1.20		0.60	1.8
28	PB8MX28S21	MPB	2.807	2.744	3.210	6F-1	1.750		2.34	0.92	1.65	0.45	1.20		0.60	2.3
30	PB8MX30S21	MPB	3.008	2.945	3.410	6F-1	1.813		2.54	0.92	1.77	0.57	1.20		0.60	2.8
32	PB8MX32S21	MPB	3.208	3.145	3.610	6F-1	2.000		2.73	0.92	1.77	0.57	1.20		0.60	3.2
<b>Taper Bushed 8mm Pitch, 21mm (0.83 in.) Wide Belts (8M -21)</b>																
22	8MX22S21-1008	1008	2.206	2.143	2.610	AF-1	1.000	1.63		0.92	0.88		1.20		0.60	0.6
25	8MX25S21-1108	1108	2.506	2.443	2.910	AF-1	1.125	1.92		0.92	0.88		1.20		0.60	0.8
26	8MX26S21-1108	1108	2.607	2.906	2.906	AF-1	1.125	1.85		0.92	0.88		1.20		0.60	0.8
27	8MX27S21-1108	1108	2.707	2.644	3.207	AF-1	1.125	1.95		0.92	0.88		1.20		0.60	1.0
28	8MX28S21-1108	1108	2.807	2.744	3.210	AF-1	1.125	2.18		0.92	0.88		1.20		0.60	1.1
29	8MX29S21-1108	1108	2.907	2.844	3.090	AF-1	1.125	2.15		0.92	0.88		1.20		0.60	1.4
30	8MX30S21-1108	1108	3.008	2.945	3.410	AF-1	1.125	2.38		0.92	0.88		1.20		0.60	1.5
31	8MX31S21-1210	1210	3.108	3.045	3.328	AF-1	1.250	2.35		0.92	1.00		1.20		0.60	1.6
32	8MX32S21-1210	1210	3.208	3.145	3.610	AF-1	1.250	2.58		0.92	1.00		1.20		0.60	3.0
33	8MX33S21-1610	1610	3.308	3.245	3.566	AF-1	1.625	2.6		0.92	1.00		1.20		0.60	1.4
34	8MX34S21-1610	1610	3.409	3.346	3.810	AF-1	1.625	2.66		0.92	1.00		1.20		0.60	1.9
35	8MX35S21-1610	1610	3.509	3.446	3.805	AF-1	1.625	2.75		0.92	1.00		1.20		0.60	1.5
36	8MX36S21-1610	1610	3.609	3.456	4.010	AF-1	1.625	2.96		0.92	1.00		1.20		0.60	1.6
37	8MX37S21-1610	1610	3.709	3.646	4.044	AF-1	1.625	2.95		0.92	1.00		1.20		0.60	1.7
38	8MX38S21-1610	1610	3.810	3.747	4.210	AF-1	1.625	3.15		0.92	1.00		1.20		0.60	1.9
39	8MX39S21-1610	1610	3.910	3.847	4.410	AF-1	1.625	3.14		0.92	1.00		1.20		0.60	2.0
40	8MX40S21-2012	2012	4.010	3.947	4.410	AF-1	2.000			0.97	1.25		1.25		0.63	2.0
41	8MX41S21-2012	2012	4.110	4.047	4.520	BF-1	2.000		3.4	1.00	1.25		1.20		0.60	2.2
42	8MX42S21-2012	2012	4.211	4.148	4.910	AF-1	2.000			0.97	1.25		1.25		0.63	2.4
45	8MX45S21-2012	2012	4.511	4.448	4.910	AF-1	2.000			0.97	1.25		1.25		0.63	3.0
48	8MX48S21-2012	2012	4.812	4.749	5.210	AF-1	2.000			0.97	1.25		1.25		0.63	3.4
50	8MX50S21-2012	2012	5.013	4.950	5.410	AF-1	2.000			0.97	1.25		1.25		0.63	4.2
53	8MX53S21-2012	2012	5.314	5.251	5.500	AF-1	2.000			0.97	1.25		1.25		0.63	5.0
56	8MX56S21-2012	2012	5.614	5.551	6.010	AF-1	2.000			0.97	1.25		1.25		0.63	4.9
60	8MX60S21-2012	2012	6.015	5.952	6.410	AF-1	2.000			0.97	1.25		1.25		0.63	6.9
63	8MX63S21-2012	2012	6.316	6.253	6.720	CF-1	2.000	5.71	3.76	0.92	1.25		1.20	0.05	0.60	7.7
67	8MX67S21-2517	2517	6.717	6.654	6.870	CF-1	2.500	6.14	4.50	0.92	1.75		1.20	0.55	0.60	5.7
71	8MX71S21-2517	2517	7.118	7.055	7.500	CF-1	2.500	6.51	4.50	0.92	1.75		1.20	0.55	0.60	6.1
75	8MX75S21-2517	2517	7.519	7.456	7.920	CF-1	2.500	6.90	4.50	0.92	1.75		1.20	0.55	0.60	9.2
80	8MX80S21-2517	2517	8.020	7.957	8.420	CF-1	2.500	7.23	4.50	0.92	1.75		1.20	0.55	0.60	7.5
90	8MX90S21-2517	2517	9.023	8.96	-	C-2	2.500	7.78	4.50		1.75		1.20	0.55	0.60	11.0
112	8MX112S21-2517	2517	11.229	11.166	-	C-2	2.500	10.00	4.50		1.75		1.20	0.55	0.60	19.4
140	8MX140S21-2517	2517	14.036	13.973	-	C-3	2.500	11.74	4.88		1.75		1.20	0.55	0.60	26.8
180	8MX180S21-3020	3020	18.046	17.893	-	C-3	3.000	15.49	6.25		2.00		1.20	0.80	0.60	36.6
224	8MX224S21-3020	3020	22.457	22.394	-	C-3	3.000	19.86	6.25		2.00		1.20	0.80	0.60	50.1

Type: 1- Solid 2- Web 3- Arms F=Flanged

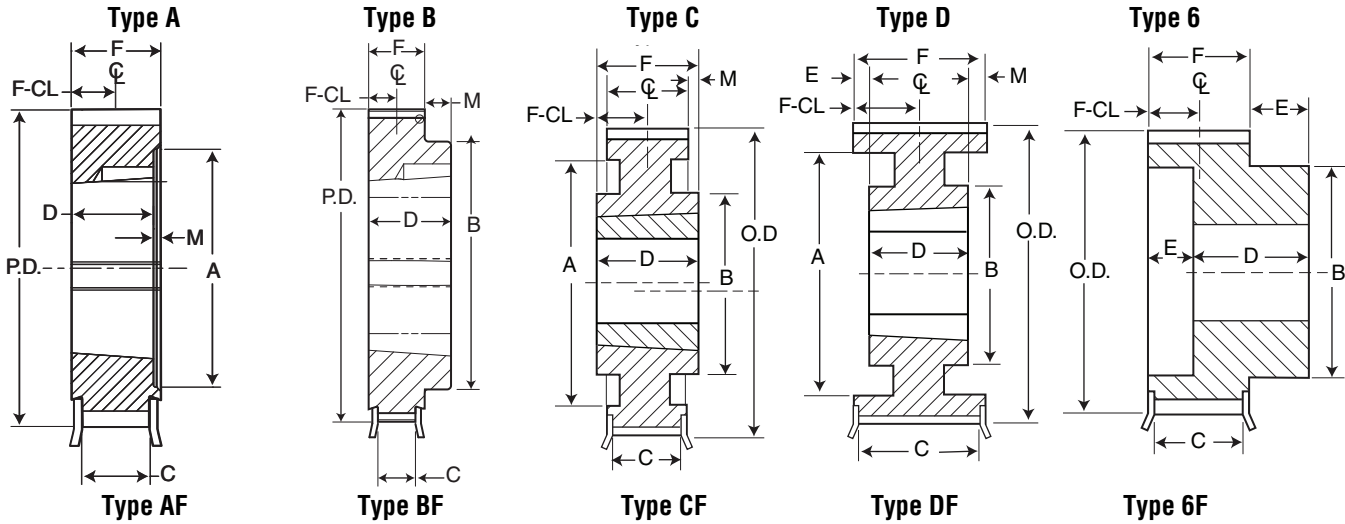
NOTE: Weights for Minimum Plain Bore (MPB) Sprockets are with minimum bore.

Weights for Bushed Sprockets less bushing.

Dimensions in Inches. Weight in pounds.

# MPC® Sprockets

## 8mm



### 8mm Pitch — 36mm Wide Belt

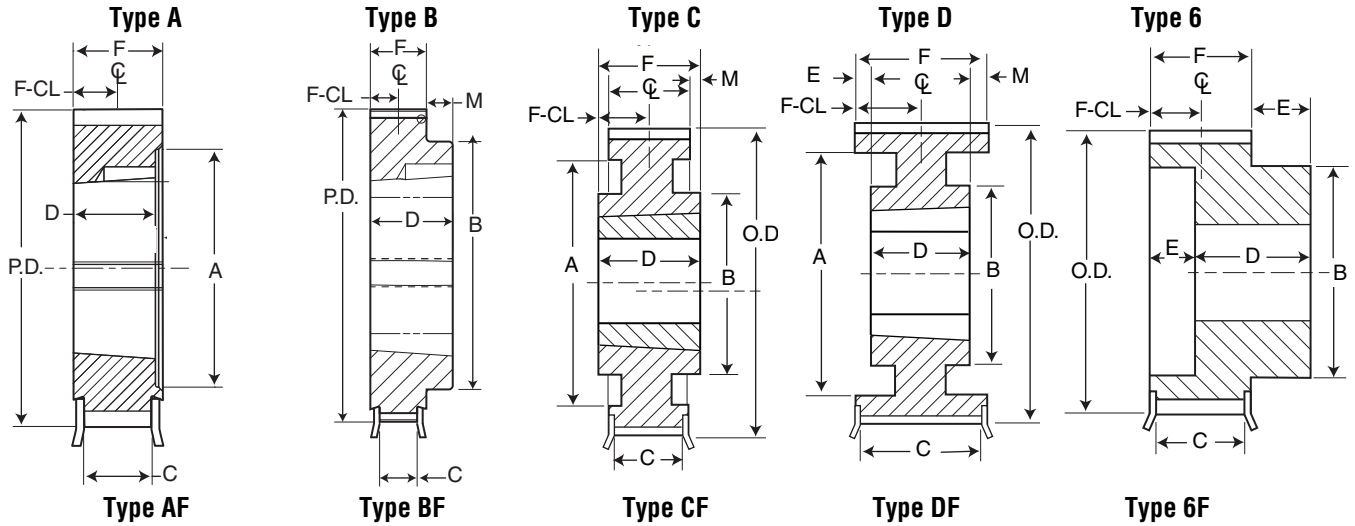
No. of Teeth	Catalog Number	Bore	Pitch Diameter	Diameter		Type	Max. Bore	Dimensions							Weight Approx. (lbs.)	
				O.D.	Max. Flange O.D.			A	B	C	D	E	F	M		F-CL
<b>MBP 8mm Pitch, 36mm (1.42 in.) Wide Belts (8M -36)</b>																
22	PB8MX22S36	MPB	2.206	2.143	2.610	6F-1	1.188		1.79	1.58	2.44	0.61	1.83		0.93	2.0
25	PB8MX25S36	MPB	2.506	2.443	2.910	6F-1	1.500		2.08	1.58	2.44	0.61	1.83		0.93	2.7
28	PB8MX28S36	MPB	2.807	2.744	3.210	6F-1	1.750		2.34	1.58	2.44	0.61	1.83		0.93	3.5
30	PB8MX30S36	MPB	3.008	2.945	3.410	6F-1	1.813		2.54	1.58	2.44	0.61	1.83		0.93	4.1
32	PB8MX32S36	MPB	3.208	3.145	3.610	6F-1	2.000		2.73	1.58	2.44	0.61	1.83		0.93	3.9
34	PB8MX34S36	MPB	3.409	3.346	3.810	6F-1	2.125		2.82	1.58	2.45	0.62	1.83		0.93	4.3
36	PB8MX36S36	MPB	3.609	3.546	4.010	6F-1	2.313		3.13	1.58	2.51	0.68	1.83		0.93	5.9
38	PB8MX38S36	MPB	3.810	3.747	4.210	6F-1	2.438		3.32	1.58	2.51	0.68	1.83		0.93	6.7
<b>Taper Bushed 8mm Pitch, 36mm (1.42 in.) Wide Belts (8M -36)</b>																
32	8MX32S36-1210	1210	3.208	3.145	3.610	AF-1	1.250	2.58		1.58	1.00		1.83	0.83	0.93	2.0
33	8MX33S36-1610	1610	3.308	3.245	3.566	AF-1	1.625	2.56		1.66	1.00		1.83	0.83	0.93	1.7
34	8MX34S36-1610	1610	3.409	3.346	3.810	AF-1	1.625	2.66		1.58	1.00		1.83	0.83	0.93	1.8
35	8MX35S36-1610	1610	3.509	3.446	3.805	AF-1	1.625	2.76		1.66	1.00		1.83	0.83	0.93	2.0
36	8MX36S36-1610	1610	3.609	3.546	4.010	AF-1	1.625	2.96		1.58	1.00		1.83	0.83	0.93	2.7
37	8MX37S36-1610	1610	3.709	3.646	4.044	AF-1	1.625	2.90		1.66	1.00		1.83	0.83	0.93	2.1
38	8MX38S36-1610	1610	3.810	3.747	4.210	AF-1	1.625	3.15		1.58	1.00		1.83	0.83	0.93	2.9
39	8MX39S36-1610	1610	3.910	3.847	4.410	AF-1	1.625	3.10		1.58	1.00		1.83	0.83	0.93	2.4
40	8MX40S36-2012	2012	4.010	3.947	4.410	AF-1	2.000	3.35		1.58	1.25		1.83	0.58	0.93	2.5
41	8MX41S36-2012	2012	4.110	4.047	4.520	AF-1	2.000	3.36		1.58	1.25		1.83	0.58	0.93	2.4
42	8MX42S36-2012	2012	4.211	4.148	4.910	AF-1	2.000	3.62		1.58	1.25		1.83	0.58	0.93	2.8
45	8MX45S36-2012	2012	4.511	4.448	4.910	AF-1	2.000	3.62		1.58	1.25		1.83	0.58	0.93	4.0
48	8MX48S36-2012	2012	4.812	4.749	5.210	AF-1	2.000	4.14		1.58	1.25		1.83	0.58	0.93	4.3
50	8MX50S36-2012	2012	5.013	4.95	5.410	AF-1	2.000	4.13		1.58	1.25		1.83	0.58	0.93	5.1
53	8MX53S36-2012	2012	5.314	5.251	5.500	AF-1	2.000	4.76		1.58	1.25		1.83	0.58	0.93	6.0
56	8MX56S36-2012	2012	5.614	5.551	6.010	AF-1	2.000	4.92		1.58	1.25		1.83	0.58	0.93	6.5
60	8MX60S36-2517	2517	6.015	5.952	6.420	AF-1	2.500	5.13		1.58	1.75		1.83	0.58	0.93	8.9
63	8MX63S36-2517	2517	6.316	6.253	6.720	AF-1	2.500	5.71		1.58	1.75		1.83	0.08	0.93	9.3
67	8MX67S36-2517	2517	6.717	6.654	6.880	DF-1	2.500	5.98	4.25	1.58	1.75		1.83	0.08	0.93	10.0
71	8MX71S36-2517	2517	7.118	7.055	7.500	DF-1	2.500	6.39	4.25	1.58	1.75		1.83	0.08	0.93	7.0
75	8MX75S36-2517	2517	7.519	7.456	7.920	DF-1	2.500	6.79	4.25	1.58	1.75		1.83	0.08	0.93	13.3
80	8MX80S36-3020	3020	8.020	7.957	8.420	BF-1	3.000		5.75	1.58	2.00		1.83	0.08	0.93	15.3
90	8MX90S36-3020	3020	9.023	8.960	-	B-1	3.000		5.75		2.00		1.83	0.17	0.93	20.9
112	8MX112S36-3020	3020	11.229	11.166	-	C-2	3.000	9.80	5.75		2.00		1.83	0.17	0.93	22.0
140	8MX140S36-3020	3020	14.036	13.973	-	C-3	3.000	11.72	6.25		2.00		1.83	0.17	0.93	39.3
180	8MX180S36-3020	3020	18.046	17.983	-	C-3	3.000	15.31	6.25		2.00		1.83	0.17	0.93	48.9
224	8MX224S36-3525	3525	22.457	22.394	-	C-3	3.500	19.62	8.75		2.50		1.83	0.67	0.93	92.2

Type: 1 - Solid 2 - Web 3 - Arms F=Flanged

NOTE: Weights for Minimum Plain Bore (MPB) Sprockets are with minimum bore.

Weights for Bushed Sprockets less bushing.

Dimensions in Inches. Weight in pounds.



## 8mm Pitch — 62mm Wide Belt

No. of Teeth	Catalog Number	Bore	Pitch Diameter	Diameter (in.)		Type	Max. Bore	Dimensions (in.)								Weight Approx. (lbs.)
				O.D.	Max. Flange O.D.			A	B	C	D	E	F	M	F-CL	
<b>MPB 8mm Pitch, 62mm (2.44 in.) Wide Belts (8M - 62)</b>																
22	PB8MX22S62	MPB	2.206	2.143	2.610	6F-1	1.188		1.79	2.63	3.56	0.68	2.88		1.46	2.4
25	PB8MX25S62	MPB	2.506	2.443	2.910	6F-1	1.500		2.08	2.63	3.56	0.68	2.88		1.46	3.6
28	PB8MX28S62	MPB	2.807	2.744	3.210	6F-1	1.750		2.34	2.63	3.56	0.68	2.88		1.46	4.6
30	PB8MX30S62	MPB	3.008	2.945	3.410	6F-1	1.813		2.54	2.63	3.50	0.62	2.88		1.46	5.3
32	PB8MX32S62	MPB	3.208	3.145	3.610	6F-1	2.000		2.73	2.63	3.50	0.62	2.88		1.46	5.6
34	PB8MX34S62	MPB	3.409	3.346	3.810	6F-1	2.125		2.82	2.63	3.50	0.62	2.88		1.46	5.7
36	PB8MX36S62	MPB	3.609	3.546	4.010	6F-1	2.313		3.13	2.63	3.56	0.68	2.88		1.46	8.0
38	PB8MX38S62	MPB	3.812	3.747	4.210	6F-1	2.438		3.32	2.63	3.56	0.68	2.88		1.46	9.1
40	PB8MX40S62	MPB	4.010	3.947	4.410	6F-1	2.563		3.52	2.63	3.63	0.75	2.88		1.46	10.3
42	PB8MX42S62	MPB	4.211	4.148	4.910	6F-1	2.750		3.79	2.63	3.63	0.75	2.88		1.46	11.6
45	PB8MX45S62	MPB	4.511	4.448	4.910	6F-1	2.750		3.79	2.63	3.63	0.75	2.88		1.46	13.1
<b>Taper Bushed 8mm Pitch, 62mm (2.44 in.) Wide Belts (8M - 62)</b>																
34	8MX34S62-1610	1610	3.409	3.346	3.810	AF-1	1.625	2.66		2.63	1.00		2.88		1.46	5.0
36	8MX36S62-1610	1610	3.609	3.546	4.010	AF-1	1.625	2.96		2.63	1.00		2.88		1.46	5.3
38	8MX38S62-1610	1610	3.812	3.747	4.210	AF-1	1.625	3.15		2.63	1.00		2.88		1.46	5.6
40	8MX40S62-2012	2012	4.010	3.947	4.410	AF-1	2.000	3.35		2.63	1.25		2.88		1.46	5.9
42	8MX42S62-2012	2012	4.211	4.148	4.910	AF-1	2.000	3.62		2.63	1.25		2.88		1.46	3.5
45	8MX45S62-2012	2012	4.511	4.448	4.910	AF-1	2.000	3.62		2.63	1.25		2.88		1.46	6.5
48	8MX48S62-2517	2517	4.812	4.749	5.210	AF-1	2.500	4.14		2.63	1.75		2.88		1.46	6.6
50	8MX50S62-2517	2517	5.013	4.950	5.410	AF-1	2.500	4.13		2.63	1.75		2.88		1.46	6.7
53	8MX53S62-2517	2517	5.314	5.251	5.500	AF-1	2.500	4.76		2.63	1.75		2.88		1.46	6.9
56	8MX56S62-2517	2517	5.614	5.551	6.010	AF-1	2.500	4.92		2.63	1.75		2.88		1.46	7.2
60	8MX60S62-3020	3020	6.015	5.952	6.420	AF-1	3.000	5.13		2.63	2.00		2.88		1.46	8.9
63	8MX63S62-3020	3020	6.316	6.253	6.720	AF-1	3.000	5.71		2.63	2.00		2.88		1.46	10.3
67	8MX67S62-3020	3020	6.717	6.654	6.880	AF-1	3.000	6.14		2.63	2.00		2.88		1.46	11.0
71	8MX71S62-3020	3020	7.118	7.055	7.500	AF-1	3.000	6.51		2.63	2.00		2.88		1.46	13.5
75	8MX75S62-3020	3020	7.519	7.456	7.920	AF-1	3.000	6.90		2.63	2.00		2.88		1.46	15.4
80	8MX80S62-3020	3020	8.020	7.957	8.420	AF-1	3.000	7.23		2.63	2.00		2.88		1.46	23.0
90	8MX90S62-3020	3020	9.023	8.960	-	D-1	3.000	7.39	5.42		2.00		2.88	0.91	1.46	32.7
112	8MX112S62-3020	3020	11.229	11.166	-	D-2	3.000	9.60	5.42		2.00		2.88	0.91	1.46	38.9
140	8MX140S62-3525	3525	14.036	13.973	-	D-2	3.500	12.40	8.75		2.50		2.88	0.41	1.46	54.5
180	8MX180S62-3525	3525	18.046	17.983	-	D-3	3.500	15.33	8.75		2.50		2.88	0.41	1.46	90.0
224	8MX224S62-3525	3525	22.457	22.394	-	D-3	3.500	19.38	8.75		2.50		2.88	0.41	1.46	92.3

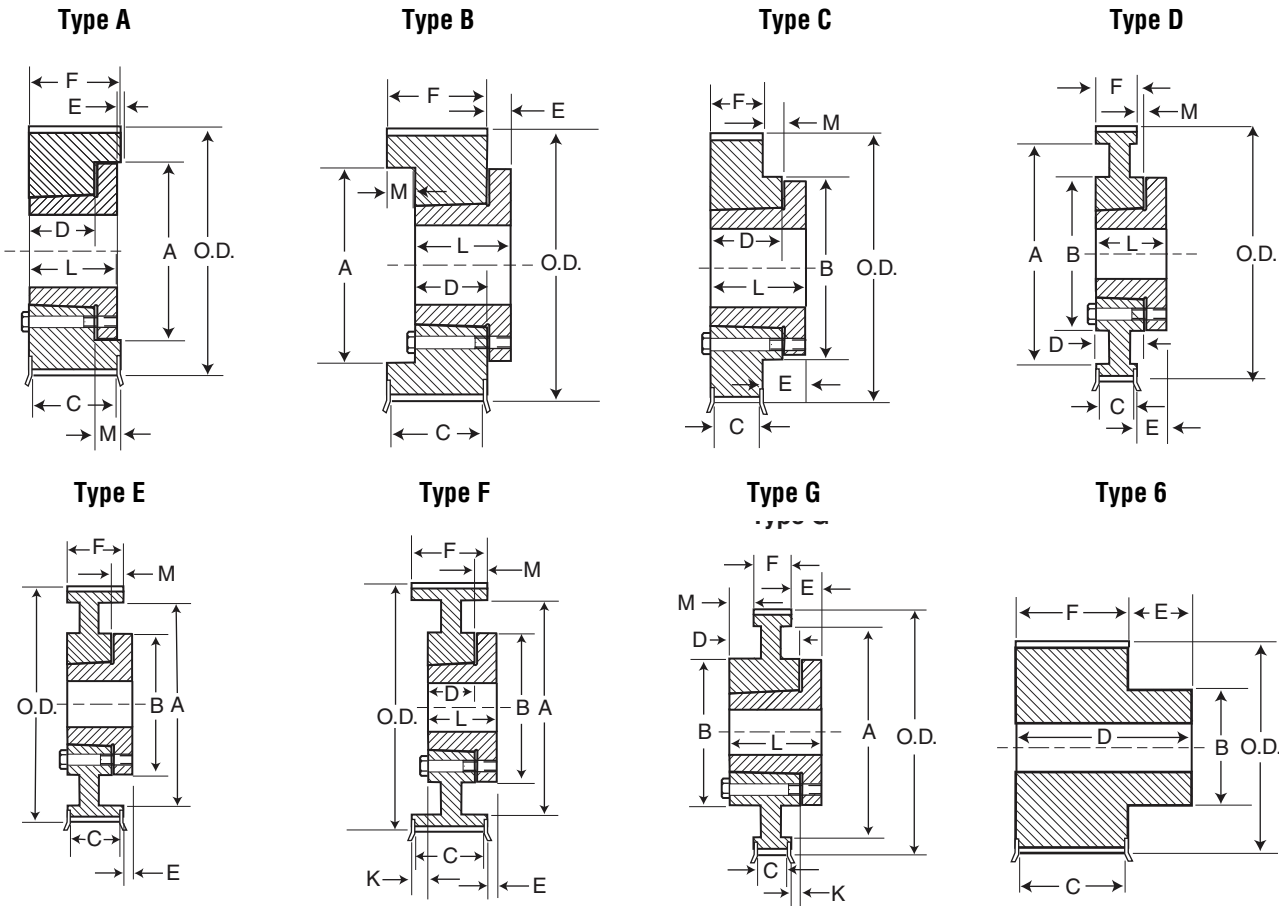
Type: 1- Solid 2- Web 3- Arms F=Flanged

NOTE: Weights for Minimum Plain Bore (MPB) Sprockets are with minimum bore.

Weights for Bushed Sprockets less bushing.

Dimensions in Inches. Weight in pounds.

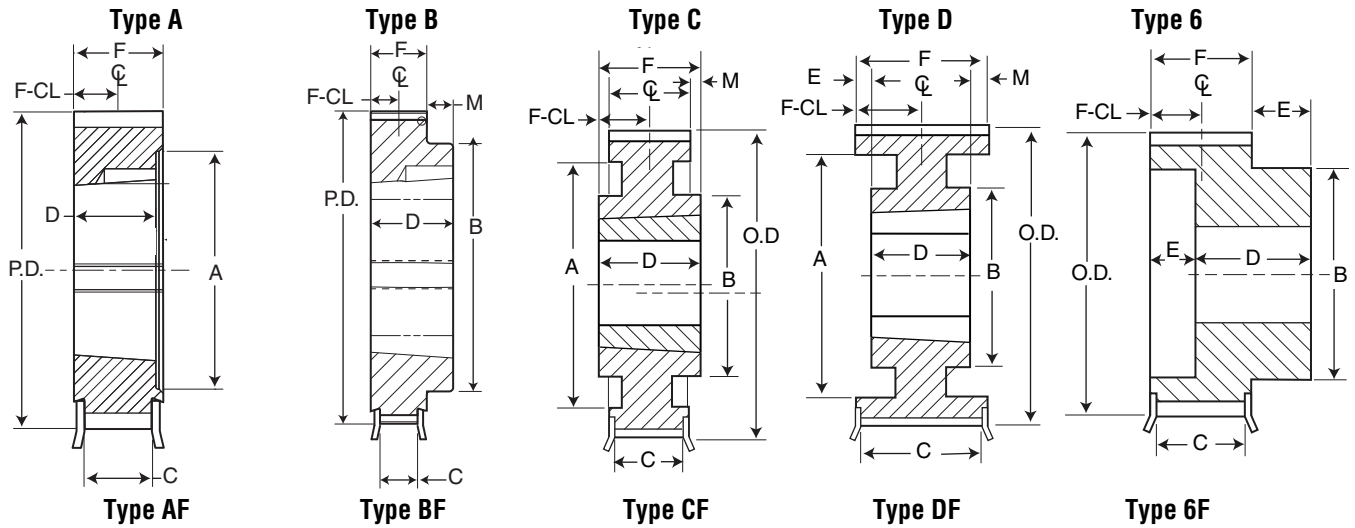
# MPC® Sprockets 8mm Air Cool Heat Exchange



## 8mm Pitch — 21mm Wide Air Cool Heat Exchange Belt

No. of Teeth	Catalog Number	Bore	Pitch Diameter	Diameter (in.)		Type	Max. Bore	Dimensions (in.)									Weight Approx. (lbs.)
				O.D.	Max. Flange O.D.			A	B	C	D	E	F	L	M	F-CL	
<b>QD Bushed 8mm Pitch, 21mm (0.93 in.) Wide Belt (8M-21)</b>																	
36	F8MX36S21-SH	SH	3.609	3.546	4.009	AF-1	1.688	2.85		0.92	0.81	0.0475	1.20	1.94	0.39	0.60	2.1
38	F8MX38S21-SH	SH	3.810	3.747	4.210	AF-1	1.688	3.04		0.92	0.81	0.0475	1.20	1.94	0.39	0.60	2.1
40	F8MX40S21-SH	SH	4.010	3.947	4.410	AF-1	1.688	3.24		0.92	0.81	0.0475	1.20	1.94	0.39	0.60	2.3
42	F8MX42S21-SH	SH	4.211	4.148	4.911	AF-1	1.688	3.44		0.92	0.81	0.0475	1.20	1.94	0.39	0.60	2.5
140	F8MX140S21-SF	SF	14.036	13.973		C-1	2.938	13.17	6.38		1.25	0.6125	1.20	2.06	0.05	0.60	25.0
168	F8MX168S21-SF	SF	16.843	16.780		C-3	2.938	15.95	6.38		1.25	0.6125	1.20	2.06	0.05	0.60	33.8
180	F8MX180S21-SF	SF	18.046	17.983		C-3	2.938	17.14	6.38		1.25	1.305	1.20	2.06	0.03	0.60	36.6
224	F8MX224S21-E	E	22.457	22.394		C-3	3.500	21.51	7.50		1.25	1.305	1.20	2.75	0.43	0.60	50.1

Type: 1 - Solid 2 - Web 3 - Arms F=Flanged  
 NOTE: Weights for Minimum Plain Bore (MPB) Sprockets are with minimum bore.  
 Weights for Bushed Sprockets less bushing.  
 Dimensions in Inches. Weight in pounds.



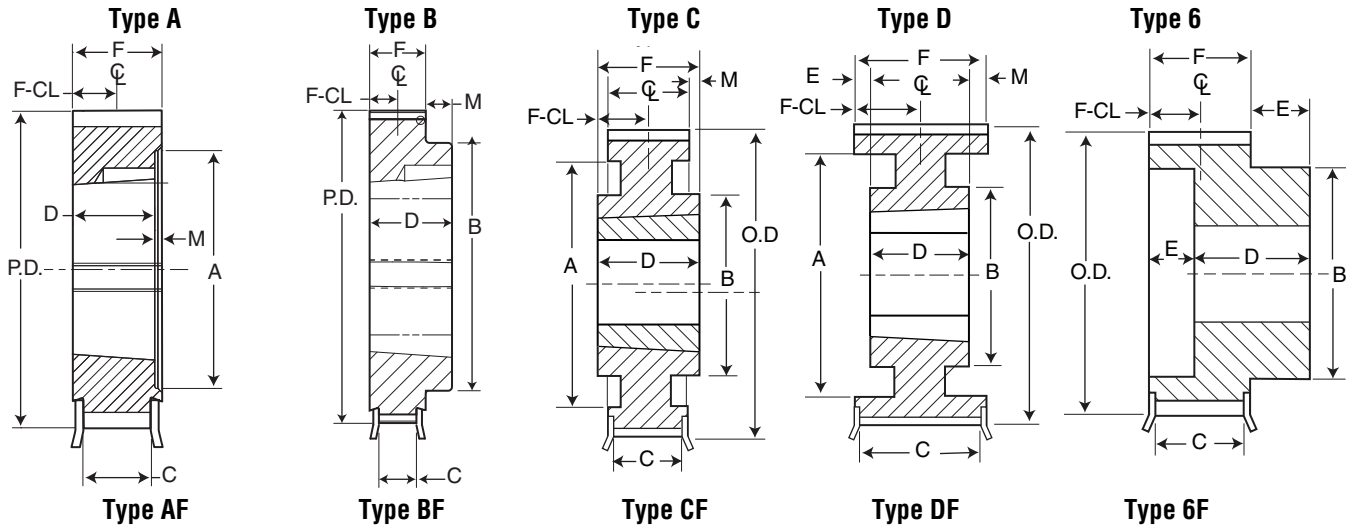
## 14mm Pitch — 20mm Wide Belt

No. of Teeth	Catalog Number	Bore	Pitch Diameter	Diameter		Type	Max. Bore	Dimensions (in.)							Weight Approx. (lbs.)	
				O.D.	Max. Flange O.D.			A	B	C	D	E	F	M		F-CL
Tapered Bushed 14mm Pitch, 20mm (.826 in.) Wide Belt (14M-20)																
28	14MX28S20-2012	2012	4.912	4.802	5.400	AF-1	2.00	3.61		1.04	1.25		1.352		0.68	3.9
29	14MX29S20-2012	2012	5.188	4.978	5.760	AF-1	2.00	3.99		1.04	1.25		1.352		0.68	4.5
30	14MX30S20-2012	2012	5.263	5.153	5.760	AF-1	2.00	3.99		1.04	1.25		1.352		0.68	4.8
31	14MX31S20-2012	2012	5.439	5.329	6.110	AF-1	2.00	4.22		1.04	1.25		1.352		0.68	5.5
32	14MX32S20-2012	2012	5.614	5.504	6.110	AF-1	2.00	4.22		1.04	1.25		1.352		0.68	5.9
33	14MX33S20-2012	2012	5.790	5.680	6.460	AF-1	2.00	4.53		1.04	1.25		1.352		0.68	6.3
34	14MX34S20-2012	2012	5.965	5.855	6.460	AF-1	2.00	4.53		1.04	1.25		1.352		0.68	6.9
35	14MX35S20-2012	2012	6.141	6.031	6.820	AF-1	2.00	4.95		1.04	1.25		1.352		0.68	7.3
36	14MX36S20-2517	2517	6.316	6.206	6.820	BF-1	2.50		4.25	1.04	1.75		1.352	0.40	0.68	7.6
37	14MX37S20-2517	2517	6.492	6.382	7.170	BF-1	2.50		4.25	1.04	1.75		1.352	0.40	0.68	8.2
38	14MX38S20-2517	2517	6.667	6.557	7.170	BF-1	2.50		4.25	1.04	1.75		1.352	0.40	0.68	8.9
39	14MX39S20-2517	2517	6.842	6.732	7.520	BF-1	2.50		4.25	1.04	1.75		1.352	0.40	0.68	9.8
40	14MX40S20-2517	2517	7.018	6.908	7.520	BF-1	2.50		4.25	1.04	1.75		1.352	0.40	0.68	10.1
43	14MX43S20-2517	2517	7.544	7.434	8.040	BF-1	2.50		4.25	1.04	1.75		1.352	0.40	0.68	11.7
45	14MX45S20-3020	3020	7.895	7.785	8.400	BF-1	3.00		5.41	1.04	2.00		1.352	0.65	0.68	13.5
48	14MX48S20-3020	3020	8.421	8.311	8.940	BF-1	3.00		5.75	1.04	2.00		1.352	0.65	0.68	16.4
50	14MX50S20-3020	3020	8.772	8.662	9.290	BF-1	3.00		5.75	1.04	2.00		1.352	0.65	0.68	18.2
53	14MX53S20-3020	3020	9.299	9.189	9.690	BF-1	3.00		5.75	1.04	2.00		1.352	0.65	0.68	20.5
56	14MX56S20-3525	3525	9.825	9.715	10.360	BF-1	3.50		8.75	1.04	2.50		1.352	1.15	0.68	23.2
60	14MX60S20-3525	3525	10.527	10.417	11.070	BF-1	3.50		8.75	1.04	2.50		1.352	1.15	0.68	27.5
63	14MX63S20-3525	3525	11.053	10.943	11.590	BF-1	3.50		8.75	1.04	2.50		1.352	1.15	0.68	30.2
67	14MX67S20-3525	3525	11.755	11.645	12.500	BF-1	3.50		8.75	1.04	2.50		1.352	1.15	0.68	31.2
71	14MX71S20-3525	3525	12.457	12.347	13.070	CF-1	3.50	11.05	8.75	1.04	2.50		1.352	1.15	0.68	32.5
75	14MX75S20-3525	3525	13.158	13.048	13.730	CF-1	3.50	11.68	8.75	1.04	2.50		1.352	1.15	0.68	36.2
80	14MX80S20-3525	3525	14.036	13.926	14.620	CF-2	3.50	12.56	8.75	1.04	2.50		1.352	1.15	0.68	35.4
90	14MX90S20-3525	3525	15.790	15.680		C-2	3.50	14.26	8.75		2.50		1.352	1.15	0.68	41.3
112	14MX112S20-3525	3525	19.650	19.540		C-3	3.50	16.47	8.75		2.50		1.352	1.15	0.68	59.6
140	14MX140S20-3525	3525	24.562	24.452		C-3	3.50	21.04	8.75		2.50		1.352	1.15	0.68	102.0
168	14MX168S20-3525	3525	29.475	29.365		C-3	3.50	25.90	8.75		2.50		1.352	1.15	0.68	99.5
180	14MX180S20-3525	3525	31.580	31.470		C-3	3.50	27.99	8.75		2.50		1.352	1.15	0.68	135.0
200	14MX200S20-3525	3525	35.089	24.979		C-3	3.50	31.46	8.75		2.50		1.352	1.15	0.68	156.0
224	14MX224S20-4030	4030	39.300	39.190		C-3	4.00	35.63	10.00		3.00		1.352	1.65	0.68	150.2

Type: 1- Solid 2- Web 3- Arms F=Flanged  
 NOTE: Weights for Minimum Plain Bore (MPB) Sprockets are with minimum bore.  
 Weights for Bushed Sprockets less bushing.  
 Dimensions in Inches. Weight in pounds.

# MPC® Sprockets

## 14mm

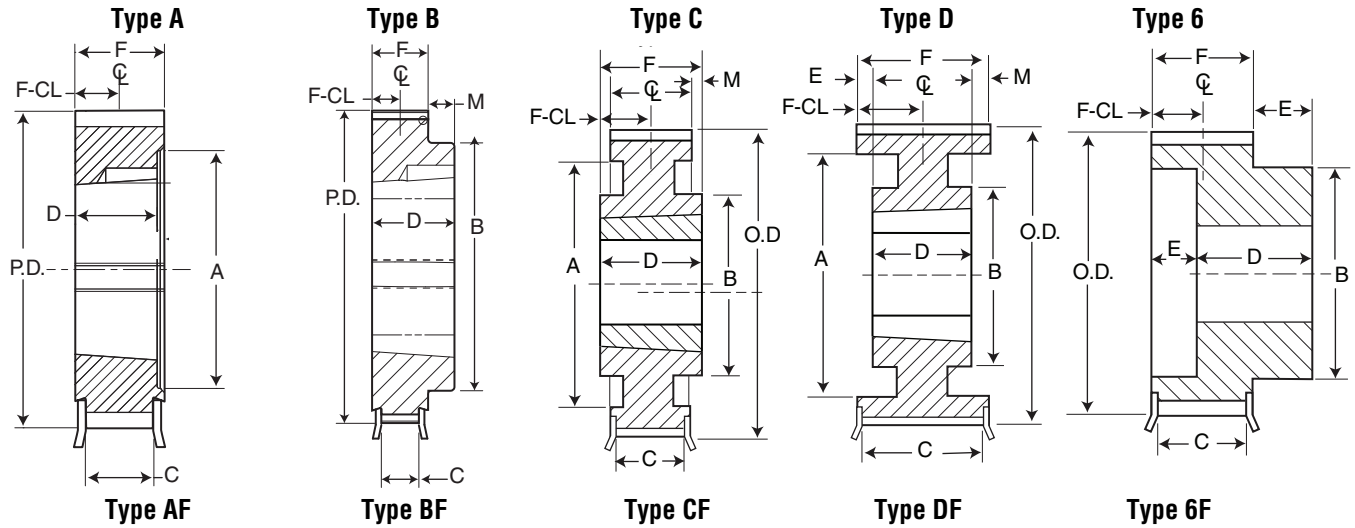


### 14mm Pitch — 37mm Wide Belt

No. of Teeth	Catalog Number	Bore	P.D.	Diameter (in.)		Type	Max. Bore	Dimensions (in.)								Weight Approx. (lbs.)
				O.D.	Max. Flange O.D.			A	B	C	D	E	F	M	F-CL	
<b>MPB 14mm Pitch, 37mm (1.46 in.) Wide Belt (14M-37)</b>																
28	PB14MX28S37	MPB	4.912	4.802	5.400	6F-1	2.938		3.97	1.74	2.86	0.80	2.06		1.03	11.7
<b>Taper Bushed 14mm Pitch, 37mm (1.46 in.) Wide Belt (14M-37)</b>																
28	14MX28S37-2012	2012	4.912	4.802	5.400	AF-1	2.00	3.61		1.74	1.25		2.06	0.81	1.03	4.2
29	14MX29S37-2517	2517	5.088	4.978	5.760	AF-1	2.50	3.99		1.74	1.75		2.06	0.31	1.03	4.7
30	14MX30S37-2517	2517	5.263	5.153	5.760	AF-1	2.50	3.99		1.74	1.75		2.06	0.31	1.03	5.0
31	14MX31S37-2517	2517	5.439	5.329	6.110	AF-1	2.50	4.22		1.74	1.75		2.06	0.31	1.03	6.0
32	14MX32S37-2517	2517	5.614	5.504	6.110	AF-1	2.50	4.22		1.74	1.75		2.06	0.31	1.03	7.2
33	14MX33S37-2517	2517	5.790	5.680	6.460	AF-1	2.50	4.53		1.74	1.75		2.06	0.31	1.03	7.5
34	14MX34S37-2517	2517	5.965	5.855	6.460	AF-1	2.50	4.53		1.74	1.75		2.06	0.31	1.03	7.8
35	14MX35S37-2517	2517	6.141	6.031	6.820	AF-1	2.50	4.95		1.74	1.75		2.06	0.31	1.03	8.3
36	14MX36S37-2517	2517	6.316	6.206	6.820	AF-1	2.50	4.95		1.74	1.75		2.06	0.31	1.03	8.8
37	14MX37S37-2517	2517	6.492	6.382	7.170	AF-1	2.50	5.27		1.74	1.75		2.06	0.31	1.03	9.3
38	14MX38S37-3020	3020	6.667	6.557	7.170	AF-1	3.00	5.27		1.74	2.00		2.06	0.06	1.03	10.8
39	14MX39S37-3020	3020	6.842	6.732	7.520	AF-1	3.00	5.54		1.74	2.00		2.06	0.06	1.03	11.9
40	14MX40S37-3020	3020	7.018	6.908	7.520	AF-1	3.00	5.54		1.74	2.00		2.06	0.06	1.03	12.2
43	14MX43S37-3020	3020	7.544	7.434	8.040	AF-1	3.00	6.16		1.74	2.00		2.06	0.06	1.03	12.5
45	14MX45S37-3020	3020	7.895	7.785	8.400	AF-1	3.00	6.42		1.74	2.00		2.06	0.06	1.03	15.8
48	14MX48S37-3020	3020	8.421	8.311	8.940	AF-1	3.00	6.96		1.74	2.00		2.06	0.06	1.03	18.7
50	14MX50S37-3020	3020	8.772	8.662	9.290	AF-1	3.00	7.44		1.74	2.00		2.06	0.06	1.03	21.1
53	14MX53S37-3020	3020	9.299	9.189	9.690	AF-1	3.00	7.84		1.74	2.00		2.06	0.06	1.03	24.7
56	14MX56S37-3525	3525	9.825	9.715	10.360	BF-1	3.50		8.70	1.74	2.50		2.06	0.44	1.03	28.2
60	14MX60S37-3525	3525	10.527	10.417	11.070	BF-1	3.50		8.75	1.74	2.50		2.06	0.44	1.03	32.2
63	14MX63S37-3525	3525	11.053	10.943	11.590	BF-1	3.50		8.75	1.74	2.50		2.06	0.44	1.03	42.8
67	14MX67S37-3525	3525	11.755	11.645	12.500	BF-1	3.50		8.75	1.74	2.50		2.06	0.44	1.03	43.5
71	14MX71S37-3525	3525	12.457	12.347	13.070	BF-1	3.50		8.75	1.74	2.50		2.06	0.44	1.03	44.1
75	14MX75S37-3525	3525	13.158	13.048	13.730	CF-1	3.50	11.68	8.75	1.74	2.50		2.06	0.44	1.03	45.5
80	14MX80S37-3525	3525	14.036	13.926	14.620	CF-2	3.50	12.56	8.75	1.74	2.50		2.06	0.44	1.03	48.7
90	14MX90S37-3525	3525	15.790	15.680		C-2	3.50	14.26	8.75		2.50		2.06	0.44	1.03	53.3
112	14MX112S37-3525	3525	19.650	19.540		C-3	3.50	16.39	8.75		2.50		2.06	0.44	1.03	87.0
126	14MX126S37-3525	3525	22.106	21.996		C-3	3.50	20.56	8.75		2.50		2.06	0.44	1.03	76.3
140	14MX140S37-3525	3525	24.562	24.452		C-3	3.50	20.84	8.75		2.50		2.06	0.44	1.03	100.9
154	14MX154S37-3525	3525	27.019	26.909		C-3	3.50	25.42	8.75		2.50		2.06	0.44	1.03	125.5
168	14MX168S37-4030	4030	29.475	29.365		C-3	4.00	25.51	10.00		3.00		2.06	0.94	1.03	175.1
180	14MX180S37-4030	4030	31.580	31.470		C-3	4.00	27.59	10.00		3.00		2.06	0.94	1.03	191.4
200	14MX200S37-4030	4030	35.089	34.979		C-3	4.00	31.07	10.00		3.00		2.06	0.94	1.03	224.8
224	14MX224S37-4030	4030	39.300	39.190		C-3	4.00	35.24	10.00		3.00		2.06	0.94	1.03	267.7

Type: 1 - Solid 2 - Web 3 - Arms F=Flanged  
 NOTE: Weights for Minimum Plain Bore (MPB) Sprockets are with minimum bore.  
 Weights for Bushed Sprockets less bushing.  
 Dimensions in Inches. Weight in pounds.





## 14mm Pitch — 68mm Wide Belt

No. of Teeth	Catalog Number	Bore	Pitch Diameter	Diameter (in.)		Type	Max. Bore	Dimensions (in.)							Weight Approx. (lbs.)	
				O.D.	Max. Flange O.D.			A	B	C	D	E	F	M		F-CL
<b>MPB 14mm Pitch, 68mm (2.68 in.) Wide Belt (14M-68)</b>																
28	PB14MX28S68	MPB	4.912	4.802	5.400	6F-1	2.938		3.97	3.01	4.13	0.81	3.322		1.66	17.0
29	PB14MX29S68	MPB	5.088	4.978	5.760	6F-1	3.188		4.35	3.01	4.13	0.81	3.322		1.66	19.0
30	PB14MX30S68	MPB	5.263	5.153	5.760	6F-1	3.188		4.35	3.01	4.13	0.81	3.322		1.66	20.0
31	PB14MX31S68	MPB	5.439	5.329	6.110	6F-1	3.438		4.57	3.01	4.13	0.81	3.322		1.66	16.8
32	PB14MX32S68	MPB	5.614	5.504	6.110	6F-1	3.438		4.57	3.01	4.13	0.81	3.322		1.66	18.0
33	PB14MX33S68	MPB	5.790	5.680	6.470	6F-1	3.500		4.89	3.01	4.33	1.01	3.322		1.66	26.0
34	PB14MX34S68	MPB	5.965	5.855	6.470	6F-1	3.500		4.89	3.01	4.33	1.01	3.322		1.66	21.1
<b>Taper Bushed 14mm Pitch, 68mm (2.68 in.) Wide Belt (14M-68)</b>																
29	14MX29S68-2517	2517	5.088	4.978	5.760	AF-1	2.500	3.99		3.01	1.75		3.322		1.66	14.7
30	14MX30S68-2517	2517	5.263	5.153	5.760	AF-1	2.500	3.99		3.01	1.75		3.322		1.66	14.0
31	14MX31S68-2517	2517	5.439	5.329	6.110	AF-1	2.500	4.22		3.01	1.75		3.322		1.66	14.3
32	14MX32S68-2517	2517	5.614	5.504	6.110	AF-1	2.500	4.22		3.01	1.75		3.322		1.66	14.6
33	14MX33S68-2517	2517	5.790	5.680	6.460	AF-1	2.500	4.53		3.01	1.75		3.322		1.66	14.9
34	14MX34S68-2517	2517	5.965	5.855	6.460	AF-1	2.500	4.53		3.01	1.75		3.322		1.66	15.2
35	14MX35S68-3020	3020	6.141	6.031	6.820	AF-1	3.000	4.95		3.01	2.00		3.322		1.66	15.5
36	14MX36S68-3020	3020	6.316	6.206	6.820	AF-1	3.000	4.95		3.01	2.00		3.322		1.66	15.8
37	14MX37S68-3020	3020	6.492	6.382	7.170	AF-1	3.000	5.27		3.01	2.00		3.322		1.66	16.1
38	14MX38S68-3020	3020	6.667	6.557	7.170	AF-1	3.000	5.27		3.01	2.00		3.322		1.66	16.4
39	14MX39S68-3020	3020	6.842	6.732	7.520	AF-1	3.000	5.54		3.01	2.00		3.322		1.66	16.7
40	14MX40S68-3020	3020	7.018	6.908	7.520	AF-1	3.000	5.54		3.01	2.00		3.322		1.66	17.0
43	14MX43S68-3020	3020	7.544	7.434	8.040	AF-1	3.000	6.16		3.01	2.00		3.322		1.66	17.2
45	14MX45S68-3020	3020	7.895	7.785	8.390	AF-1	3.000	6.42		3.01	2.00		3.322		1.66	20.4
48	14MX48S68-3525	3525	8.421	8.311	8.940	AF-1	3.500	6.96		3.01	2.50		3.322		1.66	24.6
50	14MX50S68-3525	3525	8.772	8.662	9.290	AF-1	3.500	7.44		3.01	2.50		3.322		1.66	29.4
53	14MX53S68-3525	3525	9.299	9.189	9.690	AF-1	3.500	7.84		3.01	2.50		3.322		1.66	35.7
56	14MX56S68-3525	3525	9.825	9.715	10.360	AF-1	3.500	8.35		3.01	2.50		3.322		1.66	39.9
60	14MX60S68-3525	3525	10.527	10.417	11.070	AF-1	3.500	9.06		3.01	2.50		3.322		1.66	50.6
63	14MX63S68-3525	3525	11.053	10.943	11.590	AF-1	3.500	9.59		3.01	2.50		3.322		1.66	58.0
67	14MX67S68-3525	3525	11.755	11.645	12.500	DF-1	3.500	10.36	8.75	3.01	2.50		3.322	0.82	1.66	60.0
71	14MX71S68-3525	3525	12.457	12.347	13.070	DF-1	3.500	11.05	8.75	3.01	2.50		3.322	0.82	1.66	63.3
75	14MX75S68-3525	3525	13.158	13.048	13.730	DF-1	3.500	11.68	8.75	3.01	2.50		3.322	0.82	1.66	68.6
80	14MX80S68-3525	3525	14.036	13.926	14.620	DF-2	3.500	12.56	8.75	3.01	2.50		3.322	0.82	1.66	76.3
90	14MX90S68-4030	4030	15.790	15.680		D-2	4.000	14.26	10.00		3.00		3.322	0.32	1.66	82.6
112	14MX112S68-4030	4030	19.650	19.540		D-3	4.000	16.35	10.00		3.00		3.322	0.32	1.66	100.4
140	14MX140S68-4030	4030	24.562	24.452		D-3	4.500	20.78	10.00		3.00		3.322	0.32	1.66	190.0
168	14MX168S68-4535	4535	29.475	29.365		C-3	4.500	25.23	10.50		3.50		3.322	0.18	1.66	239.1
180	14MX180S68-4353	4535	31.580	31.470		C-3	4.500	27.16	10.50		3.50		3.322	0.18	1.66	250.6
200	14MX200S68-4535	4535	35.089	34.979		C-3	4.500	30.65	10.50		3.50		3.322	0.18	1.66	262.5
224	14MX224S68-5040	5040	39.300	39.190		C-3	5.000	34.82	11.00		4.00		3.322	0.68	1.66	350.0

Type: 1- Solid 2- Web 3- Arms F=Flanged

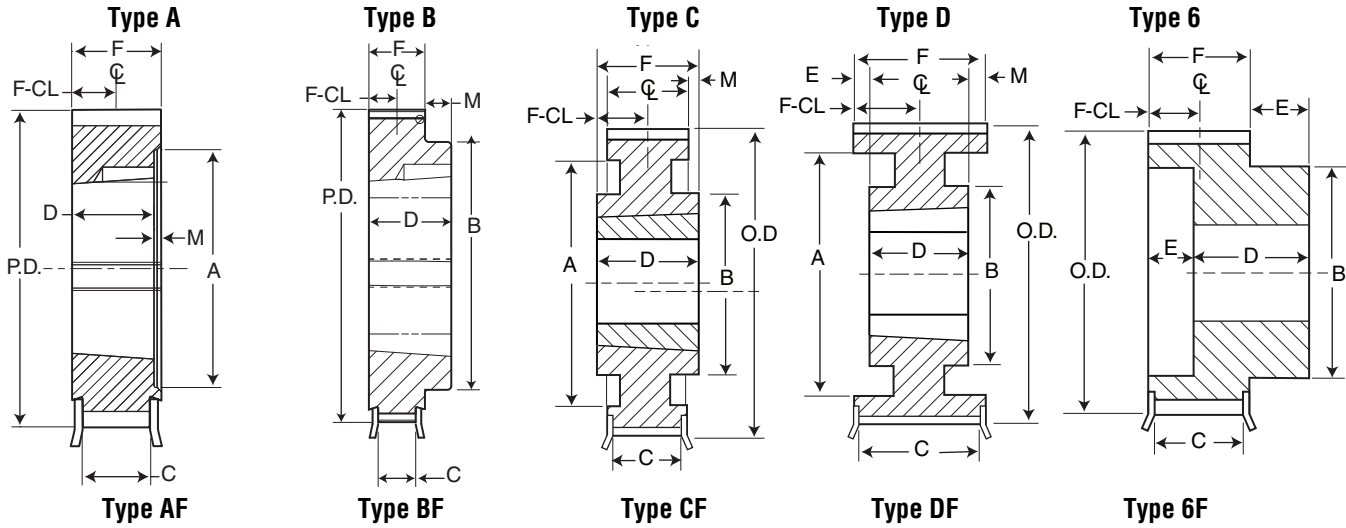
NOTE: Weights for Minimum Plain Bore (MPB) Sprockets are with minimum bore.

Weights for Bushed Sprockets less bushing.

Dimensions in Inches. Weight in pounds.

# MPC® Sprockets

## 14mm



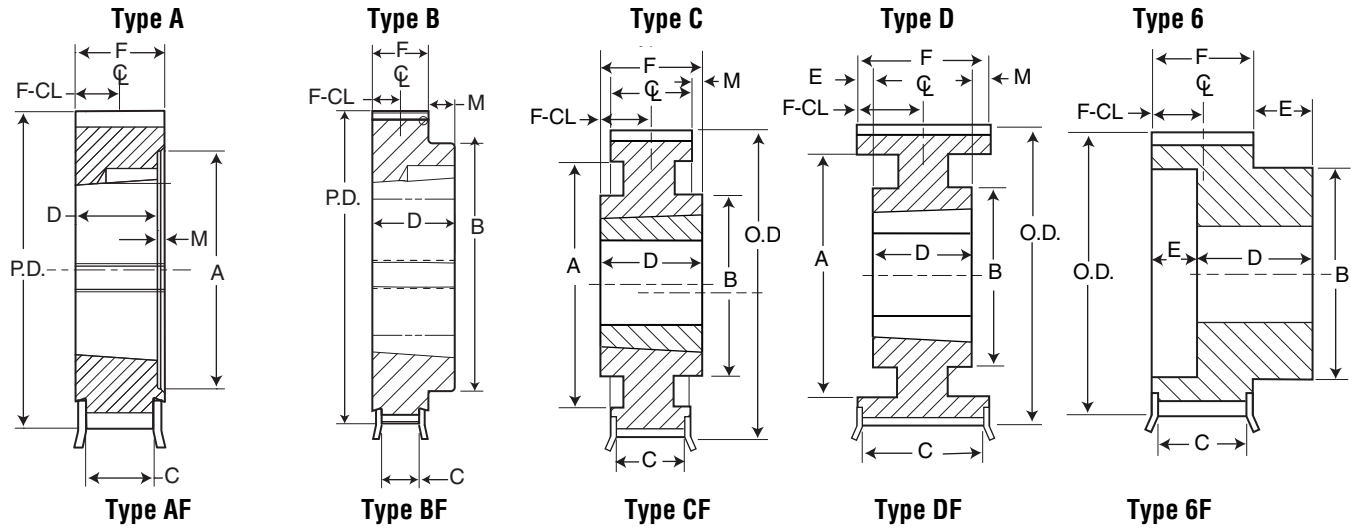
### 14mm Pitch — 90mm Wide Belt

No. of Teeth	Catalog Number	Bore	P.D.	Diameter (in)		Type	Max. Bore	Dimensions (in)							Weight Approx. (lbs.)	
				O.D.	Max. Flange O.D.			A	B	C	D	E	F	M		F-CL
<b>MPB 14mm Pitch, 90mm (3.54 in.) Wide Belt (14M-90)</b>																
28	PB14MX28S90	MPB	4.912	4.802	5.400	6F-1			3.97	3.88	5.14	0.95	4.192		2.10	20.0
29	PB14MX29S90	MPB	5.088	4.978	5.760	6F-1			4.35	3.88	5.00	0.81	4.192		2.10	22.1
30	PB14MX30S90	MPB	5.263	5.153	5.760	6F-1			4.35	3.88	5.00	0.81	4.192		2.10	24.0
31	PB14MX31S90	MPB	5.439	5.329	6.110	6F-1			4.57	3.88	5.00	0.81	4.192		2.10	21.8
32	PB14MX32S90	MPB	5.614	5.504	6.110	6F-1			4.57	3.88	5.00	0.81	4.192		2.10	27.0
33	PB14MX33S90	MPB	5.790	5.680	6.470	6F-1			4.89	3.88	5.20	1.01	4.192		2.10	30.0
34	PB14MX34S90	MPB	5.965	5.855	6.470	6F-1			4.89	3.88	5.20	1.01	4.192		2.10	27.2
35	PB14MX35S90	MPB	6.141	6.031	6.820	6F-1			5.30	3.88	5.20	1.01	4.192		2.10	28.7
36	PB14MX36S90	MPB	6.316	6.206	6.820	6F-1			5.30	3.88	5.20	1.01	4.192		2.10	30.3
37	PB14MX90S90	MPB	6.492	6.382	7.170	6F-1			5.63	3.88	5.20	1.01	4.192		2.10	32.1
38	PB14MX38S90	MPB	6.667	6.557	7.170	6F-1			5.63	3.88	5.20	1.01	4.192		2.10	33.9
39	PB14MX39S90	MPB	6.842	6.732	7.500	6F-1			5.89	3.88	5.20	1.01	4.192		2.10	35.8
40	PB14MX40S90	MPB	7.018	6.908	7.520	6F-1			5.89	3.88	5.20	1.01	4.192		2.10	37.7
<b>Taper Bushed 14mm Pitch, 90mm (3.54 in.) Wide Belt (14M-90)</b>																
35	14MX35S90-3020	3020	6.141	6.031	6.820	AF-1	3.00	4.95		3.88	2.00		4.192	2.19	2.10	22.9
36	14MX36S90-3020	3020	6.316	6.206	6.820	AF-1	3.00	4.95		3.88	2.00		4.192	2.19	2.10	23.1
37	14MX90S90-3020	3020	6.492	6.382	7.170	AF-1	3.00	5.27		3.88	2.00		4.192	2.19	2.10	23.4
38	14MX38S90-3020	3020	6.667	6.557	7.170	AF-1	3.00	5.27		3.88	2.00		4.192	2.19	2.10	23.7
39	14MX39S90-3020	3020	6.842	6.732	7.520	AF-1	3.00	5.54		3.88	2.00		4.192	2.19	2.10	24.0
40	14MX40S90-3020	3020	7.018	6.908	7.520	AF-1	3.00	5.54		3.88	2.00		4.192	2.19	2.10	24.3
43	14MX43S90-3525	3525	7.544	7.434	8.040	AF-1	3.50	6.16		3.88	2.50		4.192	1.69	2.10	24.7
45	14MX45S90-3525	3525	7.895	7.785	8.390	AF-1	3.50	6.42		3.88	2.50		4.192	1.69	2.10	27.3
48	14MX48S90-3525	3525	8.421	8.311	8.940	AF-1	3.50	6.96		3.88	2.50		4.192	1.69	2.10	33.4
50	14MX50S90-3525	3525	8.772	8.662	9.290	AF-1	3.50	7.44		3.88	2.50		4.192	1.69	2.10	29.3
53	14MX53S90-3525	3525	9.299	9.189	9.690	AF-1	3.50	7.83		3.88	2.50		4.192	1.69	2.10	46.8
56	14MX56S90-4030	4030	9.825	9.715	10.360	AF-1	4.00	8.35		3.88	3.00		4.192	1.69	2.10	42.1
60	14MX60S90-4030	4030	10.527	10.417	11.070	AF-1	4.00	9.06		3.88	3.00		4.192	1.69	2.10	50.5
63	14MX63S90-4030	4030	11.053	10.943	11.590	AF-1	4.00	9.59		3.88	3.00		4.192	1.69	2.10	64.6
67	14MX67S90-4030	4030	11.755	11.645	12.500	AF-1	4.00	9.88		3.88	3.00		4.192	1.69	2.10	70.0
71	14MX71S90-4030	4030	12.457	12.347	13.070	AF-1	4.00	10.67		3.88	3.00		4.192	1.69	2.10	86.7
75	14MX75S90-4030	4030	13.158	13.048	13.730	AF-1	4.00	11.63		3.88	3.00		4.192	1.69	2.10	85.0
80	14MX80S90-4030	4030	14.036	13.926	14.620	DF-1	4.00	12.56	10.00	3.88	3.00		4.192	1.69	2.10	88.0
90	14MX90S90-4030	4030	15.790	15.680		D-2	4.00	14.26	10.00		3.00		4.192	1.69	2.10	89.0
112	14MX112S90-4535	4535	19.650	19.540		D-2	4.50	16.35	10.50		3.50		4.192	0.69	2.10	197.9
140	14MX140S90-5040	5040	24.562	24.452		D-3	5.00	20.74	11.00		4.00		4.192	0.19	2.10	240.0
168	14MX168S90-6050	6050	29.475	29.365		C-3	6.00	25.11	15.50		5.00		4.192	0.81	2.10	327.3
180	14MX180S90-6050	6050	31.580	31.470		C-3	6.00	27.06	15.50		5.00		4.192	0.81	2.10	335.9
200	14MX200S90-6050	6050	35.089	34.979		C-3	6.00	30.29	15.50		5.00		4.192	0.81	2.10	344.5
224	14MX224S90-6050	6050	39.300	39.190		C-3	6.00	34.46	15.50		5.00		4.192	0.81	2.10	589.0

Type: 1 - Solid 2 - Web 3 - Arms F=Flanged

NOTE: Weights for Minimum Plain Bore (MPB) Sprockets are with minimum bore.

Weights for Bushed Sprockets less bushing.

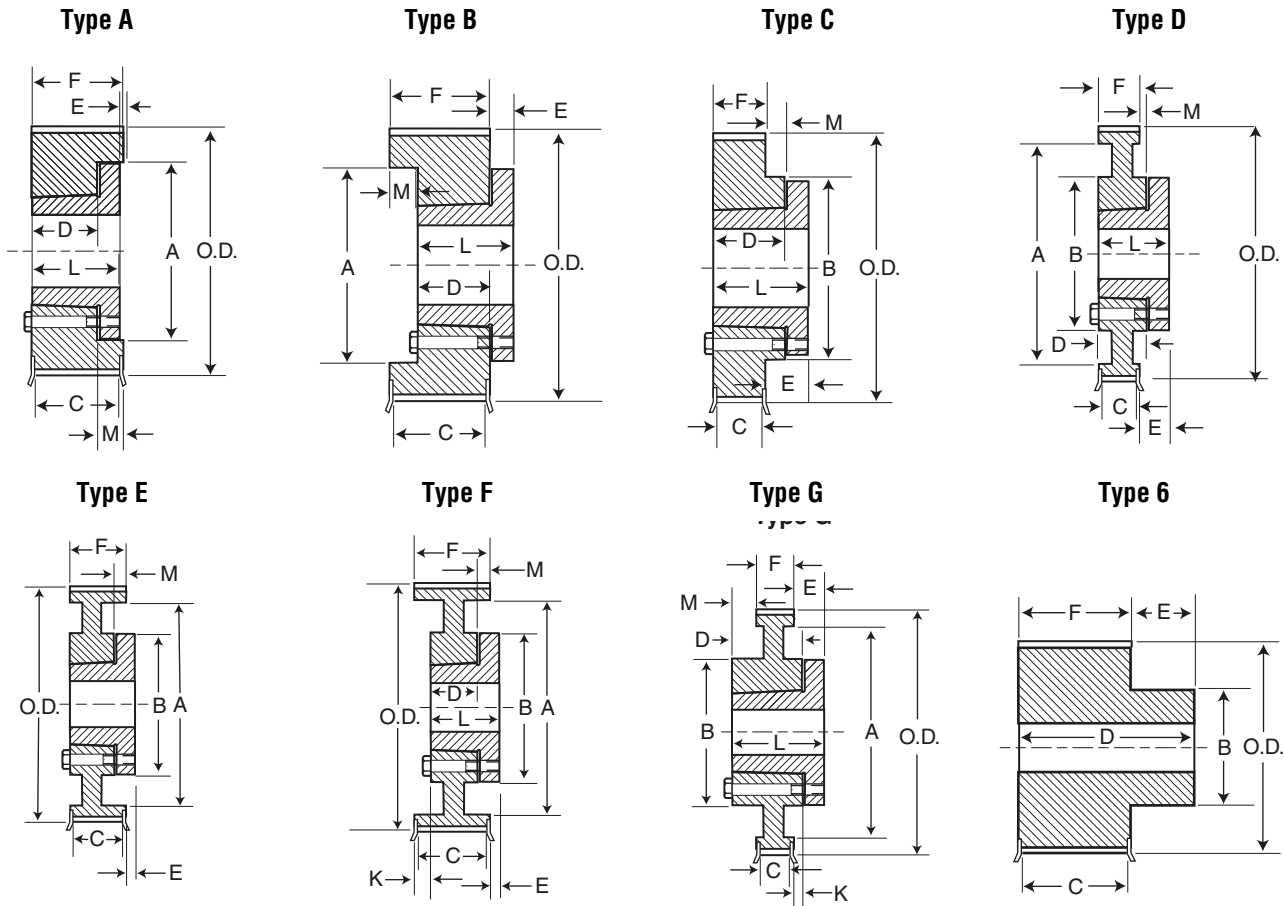


## 14mm Pitch — 125mm Wide Belt

No. of Teeth	Catalog Number	Bore	Pitch Diameter	Diameter		Type	Max. Bore	Dimensions (in.)							Weight Approx. (lbs.)	
				O.D.	Max. Flange O.D.			A	B	C	D	E	F	M		F-CL
<b>MPB 14mm Pitch, 125mm (4.92 in.) Wide Belt (14M-125)</b>																
28	PB14MX28S125	MPB	4.912	4.802	5.400	6F-1	2.938		3.97	5.29	6.50	0.89	5.61		2.81	22.0
29	PB14MX29S125	MPB	5.088	4.978	5.760	6F-1	3.188		4.35	5.29	6.50	0.89	5.61		2.81	27.0
30	PB14MX30S125	MPB	5.263	5.153	5.760	6F-1	3.188		4.35	5.29	6.50	0.89	5.61		2.81	30.2
31	PB14MX31S125	MPB	5.439	5.329	6.110	6F-1	3.438		4.57	5.29	6.50	0.89	5.61		2.81	32.0
32	PB14MX32S125	MPB	5.614	5.504	6.110	6F-1	3.438		4.57	5.29	6.50	0.89	5.61		2.81	34.0
33	PB14MX33S125	MPB	5.790	5.680	6.470	6F-1	3.500		4.89	5.29	6.69	1.08	5.61		2.81	31.8
34	PB14MX34S125	MPB	5.965	5.855	6.470	6F-1	3.500		4.89	5.29	6.69	1.08	5.61		2.81	34.3
35	PB14MX35S125	MPB	6.141	6.031	6.820	6F-1	3.813		5.30	5.29	6.69	1.08	5.61		2.81	36.2
36	PB14MX36S125	MPB	6.316	6.206	6.820	6F-1	3.813		5.30	5.29	6.69	1.08	5.61		2.81	38.0
37	PB14MX90S125	MPB	6.492	6.382	7.170	6F-1	4.125		5.63	5.29	6.69	1.08	5.61		2.81	40.3
38	PB14MX38S125	MPB	6.667	6.557	7.170	6F-1	4.125		5.63	5.29	6.69	1.08	5.61		2.81	42.5
39	PB14MX39S125	MPB	6.842	6.732	7.520	6F-1	4.375		5.89	5.29	6.69	1.08	5.61		2.81	44.9
40	PB14MX40S125	MPB	7.018	6.908	7.520	6F-1	4.375		5.89	5.29	6.69	1.08	5.61		2.81	47.2
43	PB14MX43S125	MPB	7.543	7.434	8.040	6F-1	4.813		6.510	5.29	6.81	1.20	5.61		2.81	55.5
45	PB14MX45S125	MPB	7.894	7.785	8.400	6F-1	5.000		6.760	5.29	6.81	1.20	5.61		2.81	61.3
48	PB14MX48S125	MPB	8.421	8.311	8.940	6F-1	5.625		7.290	5.29	6.81	1.20	5.61		2.81	68.7
<b>Taper Bushed 14mm Pitch, 125mm (4.92 in.) Wide Belt (14M-125)</b>																
50	14MX50S125-4535	4535	8.772	8.662	9.290	AF-1	4.500	7.44		5.29	3.50		5.61		2.81	39.4
53	14MX53S125-4535	4535	9.299	9.189	9.690	AF-1	4.500	7.83		5.29	3.50		5.61		2.81	50.1
56	14MX56S125-4535	4535	9.825	9.715	10.360	AF-1	4.500	8.35		5.29	3.50		5.61		2.81	52.6
60	14MX60S125-4535	4535	10.527	10.417	11.070	AF-1	4.500	9.06		5.29	3.50		5.61		2.81	63.3
63	14MX63S125-4535	4535	11.053	10.943	11.590	AF-1	4.500	9.59		5.29	3.50		5.61		2.81	77.2
67	14MX67S125-4535	4535	11.755	11.645	12.500	AF-1	4.500	9.88		5.29	3.50		5.61		2.81	93.8
71	14MX71S125-5040	5040	12.457	12.347	13.070	AF-1	5.000	10.67		5.29	4.00		5.61		2.81	93.0
75	14MX75S125-5040	5040	13.158	13.048	13.730	AF-1	5.000	11.63		5.29	4.00		5.61		2.81	132.8
80	14MX80S125-5040	5040	14.036	13.926	14.620	AF-1	5.000	12.59		5.29	4.00		5.61		2.81	137.0
90	14MX90S125-5040	5040	15.790	15.680		D-1	5.000	14.26	11.00		4.00		5.61	1.61	2.81	121.0
112	14MX112S125-6050	6050	19.650	19.540		A-1	6.000	16.35			5.00		5.61	0.61	2.81	210.6
140	14MX140S125-6050	6050	24.562	24.452		D-3	6.000	20.74	15.50		5.00		5.61	0.61	2.81	270.3
168	14MX168S125-7060	7060	29.475	29.365		C-3	7.000	25.11	17.00		6.00		5.61	0.39	2.81	345.2
180	14MX180S125-7060	7060	31.580	31.470		C-3	7.000	27.06	17.00		6.00		5.61	0.39	2.81	365.2
200	14MX200S125-7060	7060	35.089	34.979		C-3	7.000	30.29	17.00		6.00		5.61	0.39	2.81	373.5
224	14MX224S125-7060	7060	39.300	39.190		C-3	7.000	34.21	17.00		6.00		5.61	0.39	2.81	482.3

Type: 1 - Solid 2 - Web 3 - Arms F=Flanged  
 NOTE: Weights for Minimum Plain Bore (MPB) Sprockets are with minimum bore.  
 Weights for Bushed Sprockets less bushing.

# MPC® Sprockets 14mm Air Cool Heat Exchange



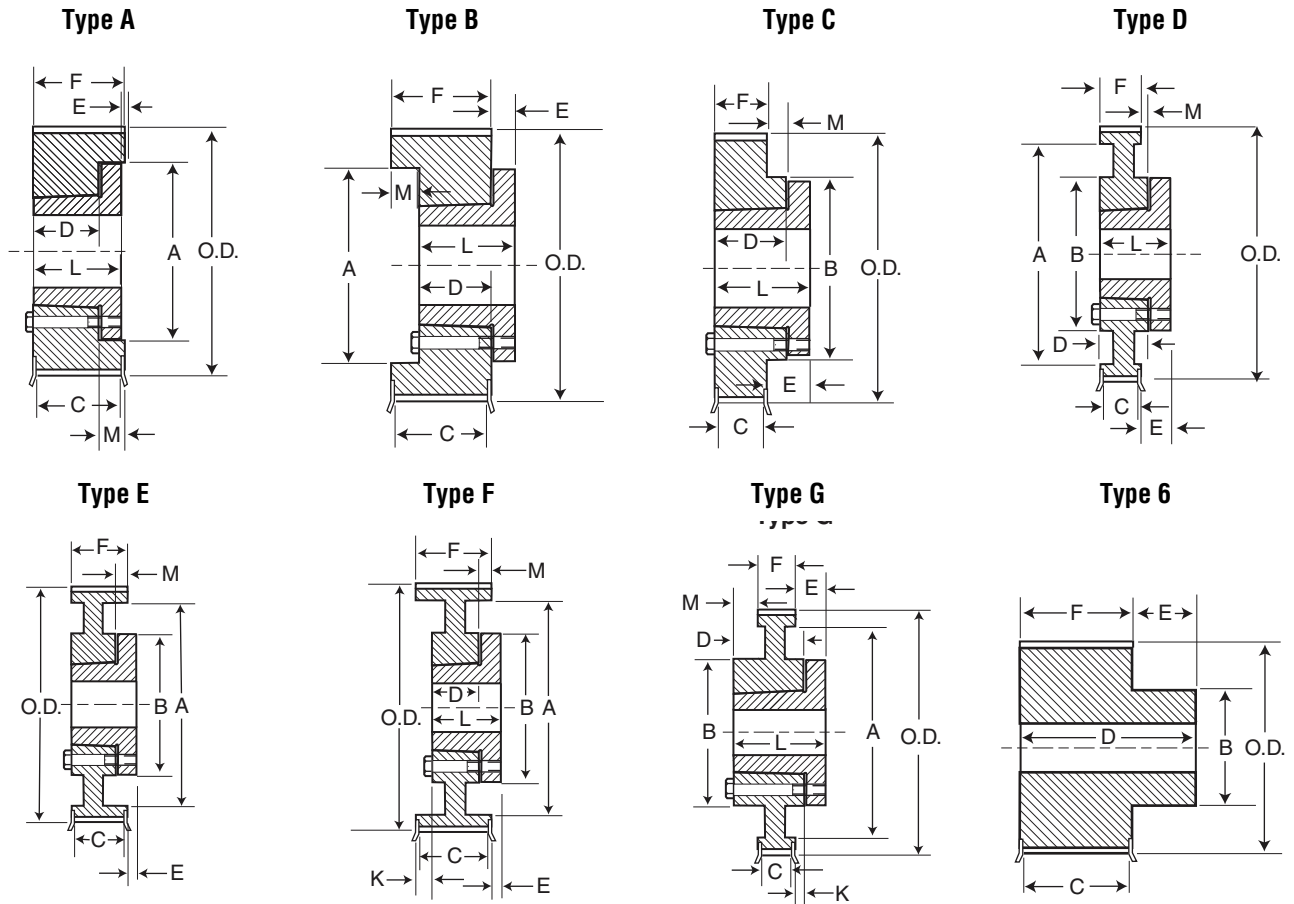
## 14mm Pitch — 20mm Wide Air Cool Heat Exchange Belt

No. of Teeth	Catalog Number	Bore	Pitch Diameter	Diameter (in)		Type	Max. Bore	Dimensions (in)									Weight Approx. (lbs.)
				O.D.	Max. Flange O.D.			A	B	C	D	E	F	L	M	F-CL	
<b>MPB 14mm Pitch, 20mm (0.787 in.) Wide Belt (14M-20)</b>																	
28	F14MX28S20-SK	SK	4.912	4.802	5.402	AF-1	2.625	3.61		1.04	1.25	0.45	1.36	1.94	0.11	0.68	3.90
29	F14MX29S20-SK	SK	5.088	4.978	5.763	AF-1	2.625	3.85		1.04	1.25	0.45	1.36	1.94	0.11	0.68	4.50
30	F14MX30S20-SK	SK	5.263	5.153	5.763	AF-1	2.625	3.99		1.04	1.25	0.45	1.36	1.94	0.11	0.68	4.80
31	F14MX31S20-SK	SK	5.439	5.329	6.114	AF-1	2.625	4.20		1.04	1.25	0.45	1.36	1.94	0.11	0.68	5.50
32	F14MX32S20-SK	SK	5.614	5.504	6.114	AF-1	2.625	4.22		1.04	1.25	0.45	1.36	1.94	0.11	0.68	5.9
33	F14MX33S20-SK	SK	5.79	5.680	6.465	AF-1	2.625	4.53		1.04	1.25	0.45	1.36	1.94	0.11	0.68	6.3
34	F14MX34S20-SK	SK	5.965	5.855	6.465	AF-1	2.625	4.53		1.04	1.25	0.45	1.36	1.94	0.11	0.68	6.9
35	F14MX35S20-SK	SK	6.141	6.031	6.816	AF-1	2.625	4.89		1.04	1.25	0.45	1.36	1.94	0.11	0.68	7.3
140	F14MX140S20-E	E	24.560	24.452		C-3	3.500	23.21	7.50	1.04	1.63	1.15	1.36	2.75	0.27	0.68	66.10
168	F14MX168S20-F	F	29.472	29.365		G-3	4.000	27.46	7.25	1.04	2.50	1.58	1.36	3.75	0.56	0.68	90.00
180	F14MX180S20-F	F	31.580	31.470		C-3	4.000	29.38	7.25	1.04	2.50	2.14	1.36	3.75	1.14	0.68	107.30
200	F14MX200S20-F	F	35.086	34.98		G-3	4.000	32.88	7.25	1.04	2.5	1.26	1.36	3.75	0.88	0.68	119.00
224	F14MX224S20-F	F	39.300	39.190		C-3	4.000	37.13	7.25	1.04	2.50	1.15	1.36	3.75	1.14	0.68	125.00

Type: 1 - Solid 2 - Web 3 - Arms F=Flanged

NOTE: Weights for Minimum Plain Bore (MPB) Sprockets are with minimum bore.

Weights for Bushed Sprockets less bushing.



## 14mm Pitch — 37mm Wide Air Cool Heat Exchange Belt

No. of Teeth	Catalog Number	Bore	Pitch Diameter	Diameter (in.)		Type	Max. Bore	Dimensions (in.)								Weight Approx. (lbs.)	
				O.D.	Max. Flange O.D.			A	B	C	D	E	F	L	M		F-CL
MPB 14mm Pitch, 20mm (0.787 in.) Wide Belt (14M-20)																	
28	F14MX28S37-SK	SK	4.912	4.802	5.402	BF-1	2.625	3.61		1.74	1.25	0.56	2.06	1.94	0.81	1.03	4.20
29	F14MX29S37-SK	SK	5.088	4.978	5.763	BF-1	2.625	3.75		1.74	1.25	0.56	2.06	1.94	0.81	1.03	4.70
30	F14MX30S37-SK	SK	5.263	5.153	5.763	BF-1	2.625	3.89		1.74	1.25	0.56	2.06	1.94	0.81	1.03	5.00
31	F14MX31S37-SK	SK	5.439	5.329	6.114	AF-1	2.625	4.06		1.74	1.25	-0.25	2.06	1.94	0.81	1.03	6.00
32	F14MX32S37-SK	SK	5.614	5.504	6.114	AF-1	2.625	4.22		1.74	1.25	-0.25	2.06	1.94	0.81	1.03	7.10
33	F14MX33S37-SK	SK	5.79	5.680	6.465	AF-1	2.625	4.41		1.74	1.25	-0.25	2.06	1.94	0.81	1.03	7.50
34	F14MX34S37-SK	SK	5.965	5.855	6.465	AF-1	2.625	4.53		1.74	1.25	-0.25	2.06	1.94	0.81	1.03	7.80
35	F14MX35S37-SK	SK	6.141	6.031	6.816	AF-1	2.625	4.75		1.74	1.25	-0.25	2.06	1.94	0.81	1.03	8.30
36	F14MX36S37-SF	SF	6.315	6.206	6.816	AF-1	2.813	4.94		1.74	1.50	-0.19	2.06	2.06	0.56	1.03	8.80
180	F14MX180S37-E	E	31.580	31.470		D-3	3.500	29.38	7.50		1.63	0.69	2.03	2.75	0.21	1.02	120.0
200	F14MX200S37-E	E	35.086	34.980		D-3	3.500	32.92	7.50		1.63	0.69	2.03	2.75	0.21	1.02	130.0
224	F14MX224S37-E	E	39.300	39.190		D-3	3.500	37.13	7.50		1.63	0.69	2.03	2.75	0.21	1.02	177.0

Type: 1- Solid 2- Web 3- Arms F=Flanged  
 NOTE: Weights for Minimum Plain Bore (MPB) Sprockets are with minimum bore.  
 Weights for Bushed Sprockets less bushing.

# Sprocket Specifications

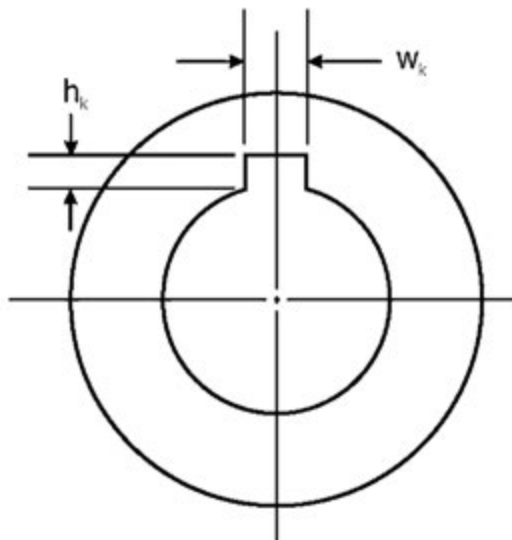


## Sprocket Tolerance Specifications

MPC® sprockets are made to close tolerances. Strict adherence to the standard tolerances (as shown in table below) is highly recommended.

## Sprocket Outside Diameter and Pitch

Outside Diameter Range (in)	Outside Diameter Tolerance (in)	Pitch To Pitch Tolerance	
		Adjacent Grooves	Accumulative Over 90 Degrees
Over 2,000 to and including 4,000	+ 0.004 - 0.000	± 0.001	± 0.0045
Over 4,000 to and including 7,000	+ 0.005 - 0.000	± 0.001	± 0.005
Over 7,000 to and including 12,000	+ 0.006 - 0.000	± 0.001	± 0.005
Over 12,000 to and including 20,000	+ 0.007 - 0.000	± 0.001	± 0.0065
Over 20,000	+ 0.008 - 0.000	± 0.001	± 0.0075



## Sprocket Runout Radial Runout\*

Outside Diameter		Total Eccentricity Total Indicator Reading	
(in)	(mm)	(in)	(mm)
Over 2 to 4	50	0.003	0.08
	100		
Over 4 to 8	100	0.004	0.10
	200		
Over 8	200	0.005 per inch O.D. over 8"	.013 per mm O.C. over 200mm
		(may not exceed face diameter tolerance)	

\*Total Indicator Reading

## Axial Runout\*

For outside diameters 1.0 inches and under ..... 0.001 inches  
 For each additional inch of outside diameter up through 10.0 inches, add ..... 0.0001 inches  
 For each additional inch outside diameter over 10.0 inches, add ..... 0.0005 inches

\*Total Indicator Reading

## Sprocket and Bushing Keyseat

Shaft Diameter (in)	Width $w_k$ †	Depth $h_k$ (in) + 0.015 0.000
Up through 7/16 (0.44)	3/32 (0.0938)	3/64 (0.047)
	1/8 (0.125)	1/16 (0.062)
over 7/16 (0.44) to and incl. 9/16 (0.56)	3/16 (0.1875)	3/32 (0.094)
	1/4 (0.250)	1/8 (0.125)
over 1-1/4 (1.25) to and incl. 1-3/8 (1.38)	5/16 (0.3125)	5/32 (0.156)
	3/8 (0.375)	3/16 (0.188)
over 1-3/8 (1.38) to and incl. 1-3/4 (1.75)	1/2 (0.500)	1/4 (0.250)
	5/8 (0.625)	5/16 (0.312)
over 2-1/4 (2.25) to and incl. 2-3/4 (2.75)	3/4 (0.750)	3/8 (0.375)
	7/8 (0.875)	7/16 (0.438)
over 3-3/4 (3.75) to and incl. 4-1/2 (4.50)	1 (1.000)	1/2 (0.500)
	1-1/4 (1.250)	5/8 (0.625)

†Tolerance on width  $w_k$ .

For width up through 1/2 (0.500) ..... +0.002, 0.000 inches  
 For width up through 1/2 (0.500) up through 1 (1.000) ..... +0.003, 0.000 inches  
 For width over 1 (1.000) ..... +0.004, 0.000 inches